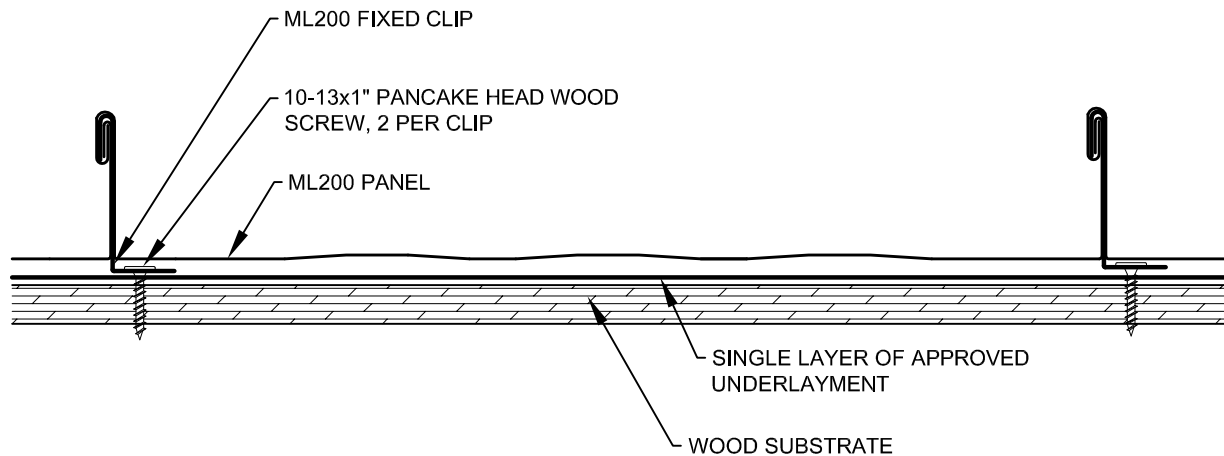




# ML200 Standing Seam Wood Substrate Master Details

## Architectural / Solid Substrate / Steep Slope

The following details are commonly used over steep sloped applications including those over solid substrates such as plywood or steel decking with rigid insulation. Such details are largely based on hydrokinetic (water shedding) design principles and architectural detailing.



FAYETTEVILLE, NC  
888-685-7663

SPENCER, NC  
800-526-8156

ANDERSON, SC  
800-544-5169

TIFTON, GA  
800-962-9131

ORANGE, VA  
800-762-6785

OCALA, FL  
800-331-3584

VICKSBURG, MS  
888-661-0577

TIPP CITY, OH  
877-615-9812

OKLAHOMA CITY, OK  
866-373-5286

SCRANTON, PA  
866-695-6455



# ML200 Standing Seam

## -Wood Substrate-

### Fixed Clip and Expansion Clip

# Index

---

**Panel Information** **Detail No.**

Panel Application .....	0.10_FX
Panel Application .....	0.10_EX
System Overview - Panel Profiles.....	0.20
System Overview - Clips .....	0.21
Thermal Gap Installation Chart - Steel.....	0.30
Thermal Gap Installation Chart - Aluminum.....	0.31

---

**Eave Details** **Detail No.**

Extended Eave .....	1.10_FX
Extended Eave .....	1.10_EX
Extended Eave - Steep Slope .....	1.10A_FX
Extended Eave - Steep Slope .....	1.10A_EX
Extended Eave with Gutter .....	1.20_FX
Extended Eave with Gutter .....	1.20_EX
Extended Eave with Gutter - Steep Slope .....	1.20A_FX
Extended Eave with Gutter - Steep Slope .....	1.20A_EX
Extended Eave with Soffit .....	1.30_FX
Extended Eave with Soffit .....	1.30_EX
Extended Eave with Soffit & Gutter .....	1.40_FX
Extended Eave with Soffit & Gutter .....	1.40_EX
Extended Eave with Vertical Flush Panel .....	1.50_FX
Extended Eave with Vertical Flush Panel .....	1.50_EX
Extended Eave with Vertical Standing Seam Panel .....	1.60_FX
Extended Eave with Vertical Standing Seam Panel .....	1.60_EX
Extended Eave Lap Detail .....	1.90

---

**Gable Details** **Detail No.**

Gable - Extended Drip .....	2.10_FX
Gable - Extended Drip .....	2.10_EX
Gable - Box .....	2.20_FX
Gable - Box .....	2.20_EX
Gable - Box with Zee Closure .....	2.30_FX
Box Gable Lap Detail .....	2.90

---

**Valley Details** **Detail No.**

Valley - Integral Cleat .....	3.10
Valley - Offset Cleat .....	3.20
Valley Lap Detail .....	3.90



# ML200 Standing Seam

## -Wood Substrate-

### Fixed Clip and Expansion Clip

# Index

**Ridge & Hip Details** **Detail No.**

Standard Ridge & Hip .....	4.10_FX
Standard Ridge & Hip .....	4.10_EX
Vented Ridge .....	4.20_FX
Vented Ridge .....	4.20_EX
Vented Ridge-to-Standard Ridge Transition .....	4.30
Ridge Termination at Valley .....	4.40
Ridge & Hip Lap Detail .....	4.90
Ridge Cap Expansion Detail .....	4.91

**Peak Details** **Detail No.**

Peak Detail .....	5.10_FX
Peak Detail .....	5.10_EX
Vented Peak Detail .....	5.20_FX
Vented Peak Detail .....	5.20_EX
Peak Detail with Vertical Flush Panel .....	5.40_FX
Peak Detail with Vertical Flush Panel .....	5.40_EX

**High Wall & Low Wall Details** **Detail No.**

High Wall - Reglet .....	6.10_FX
High Wall - Reglet .....	6.10_EX
Vented High Wall - Reglet .....	6.11_FX
Vented High Wall - Reglet .....	6.11_EX
High Wall - Surface Mount .....	6.12_FX
High Wall - Surface Mount .....	6.12_EX
High Wall - Vertical Panel with Sill .....	6.14_FX
High Wall - Vertical Panel with Sill .....	6.14_EX
High Wall - Parapet .....	6.20_FX
High Wall - Parapet .....	6.20_EX
Valley Wall Detail .....	6.30_FX
Valley Wall Detail .....	6.30_EX
High Wall Lap Detail .....	6.90

**Sidewall Details** **Detail No.**

Sidewall - Reglet with Subflashing Angle .....	7.11_FX
Sidewall - Reglet with Subflashing Angle .....	7.11_EX
Sidewall - Surface Mount with Subflashing Angle .....	7.12_FX
Sidewall - Surface Mount with Subflashing Angle .....	7.12_EX
Sidewall - Wood Framing & Siding with Subflashing Angle .....	7.13_FX
Sidewall - Wood Framing & Siding with Subflashing Angle .....	7.13_EX



# ML200 Standing Seam

## -Wood Substrate-

### Fixed Clip and Expansion Clip

# Index

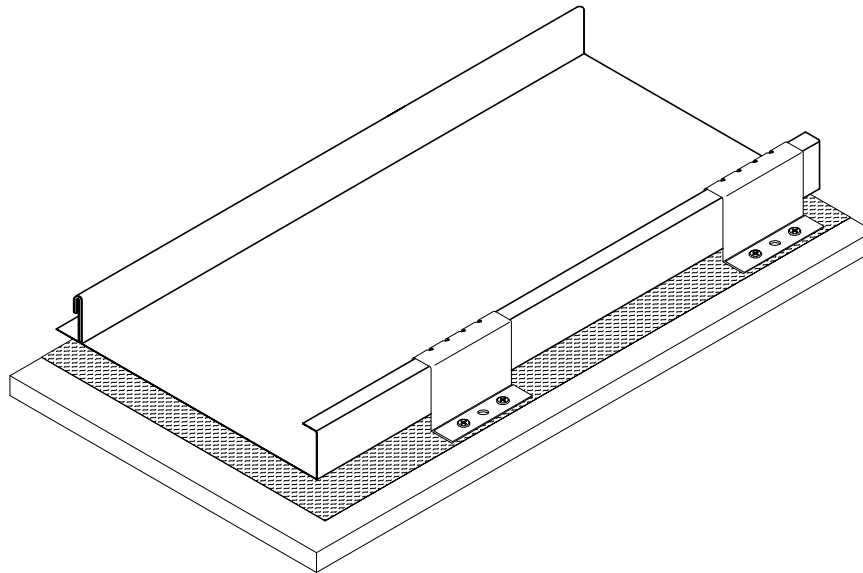
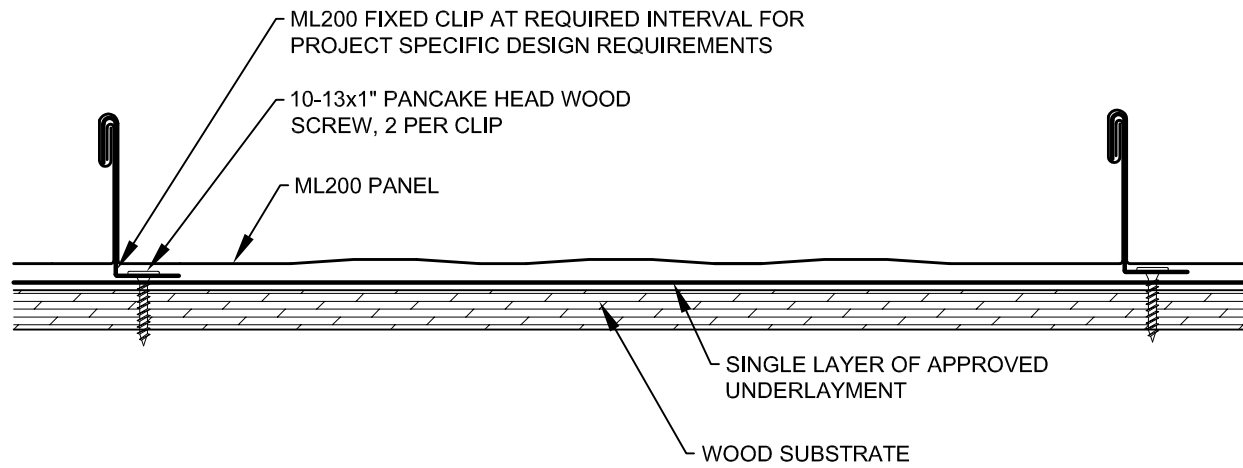
<b><i>Sidewall Details (continued)</i></b>	<b><i>Detail No.</i></b>
<i>Sidewall - Reglet with J-Channel Subflashing .....</i>	<i>7.21_FX</i>
<i>Sidewall - Reglet with J-Channel Subflashing .....</i>	<i>7.21_EX</i>
<i>Sidewall - Surface Mount with J-Channel Subflashing .....</i>	<i>7.22_FX</i>
<i>Sidewall - Surface Mount with J-Channel Subflashing .....</i>	<i>7.22_EX</i>
<i>Sidewall - Wood Framing &amp; Siding with J-Channel Subflashing .....</i>	<i>7.23_FX</i>
<i>Sidewall - Wood Framing &amp; Siding with J-Channel Subflashing .....</i>	<i>7.23_EX</i>
<i>Sidewall - Reglet with Zee Closure .....</i>	<i>7.31_FX</i>
<i>Sidewall - Surface Mount with Zee Closure .....</i>	<i>7.32_FX</i>
<i>Sidewall - Wood Framing &amp; Siding with Zee Closure .....</i>	<i>7.33_FX</i>
<i>Sidewall Expansion Joint .....</i>	<i>7.40_FX</i>
<i>Sidewall Expansion Joint .....</i>	<i>7.40_EX</i>
<i>Expansion Joint Mid-Roof.....</i>	<i>7.50_FX</i>
<i>Expansion Joint Mid-Roof.....</i>	<i>7.50_EX</i>
<i>Sidewall Lap Detail .....</i>	<i>7.90</i>

<b><i>Slope Transition Details</i></b>	<b><i>Detail No.</i></b>
<i>Slope Transition .....</i>	<i>8.10_FX</i>
<i>Slope Transition .....</i>	<i>8.10_EX</i>
<i>Transition at Membrane Roofing .....</i>	<i>8.20</i>

<b><i>General Information Details</i></b>	<b><i>Detail No.</i></b>
<i>Panel Hemming .....</i>	<i>10.10</i>
<i>End Lap Detail - Low Slope .....</i>	<i>10.14</i>
<i>End Lap Detail - Steep Slope .....</i>	<i>10.15</i>
<i>Zee Closure Installation .....</i>	<i>10.20</i>
<i>Pipe Penetration .....</i>	<i>10.30</i>
<i>Pipe Penetration Through Panel Rib .....</i>	<i>10.31</i>
<i>Curb at High Wall &amp; Low Wall .....</i>	<i>10.40_FX</i>
<i>Curb at High Wall &amp; Low Wall .....</i>	<i>10.40_EX</i>
<i>Curb at Sidewall .....</i>	<i>10.41_FX</i>
<i>Curb at Sidewall .....</i>	<i>10.41_EX</i>
<i>Curb Installation Detail .....</i>	<i>CRB 1-6</i>



Description:

**ML200 APPLICATION - FIXED CLIP**

Detail No.:

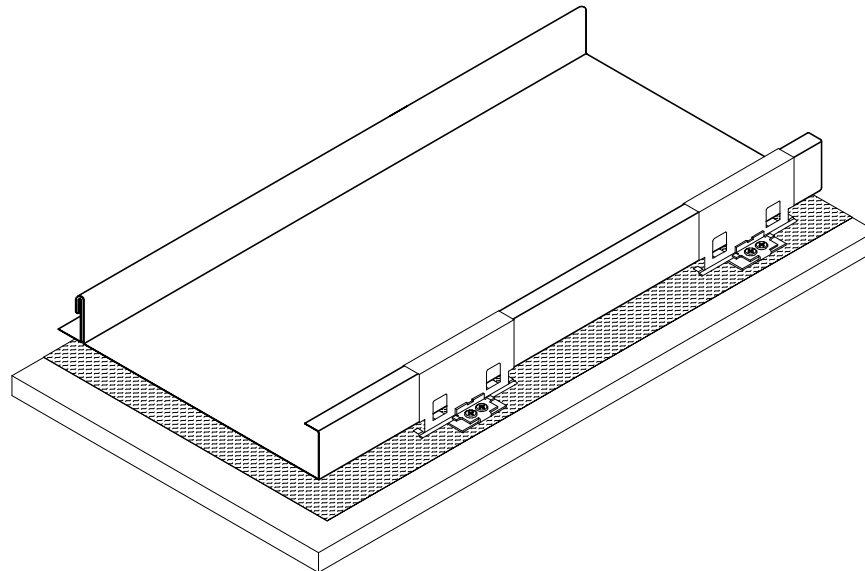
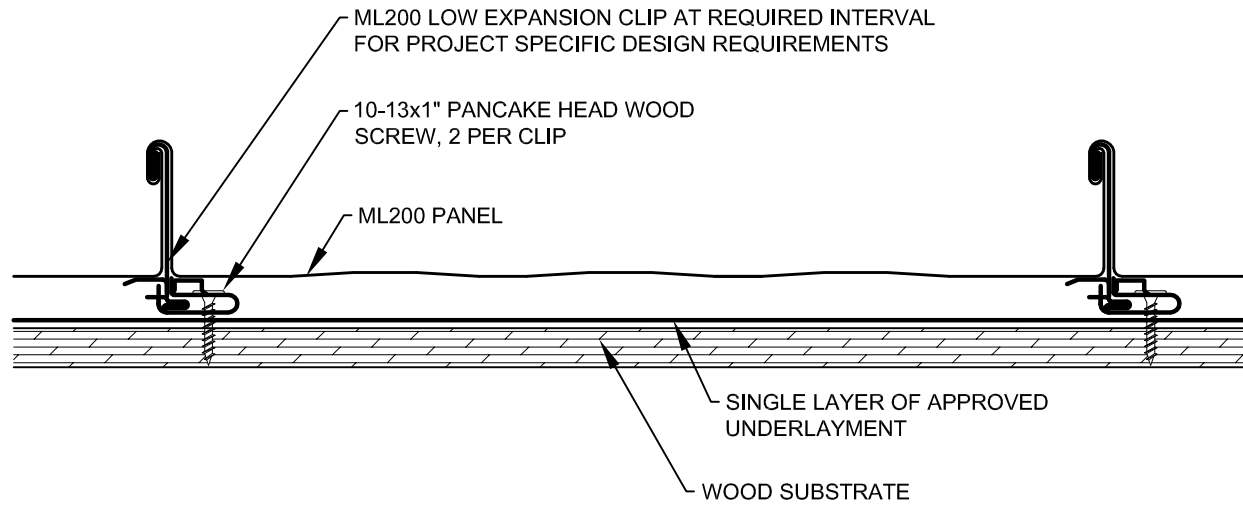
ML200-WS-0.10\_FX

Substrate:

**WOOD SUBSTRATE**

Project Name:

Location:



Description:

**ML200 APPLICATION - EXPANSION CLIP**

Detail No.:

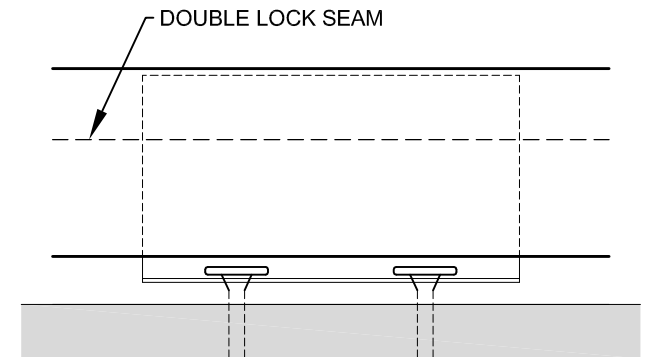
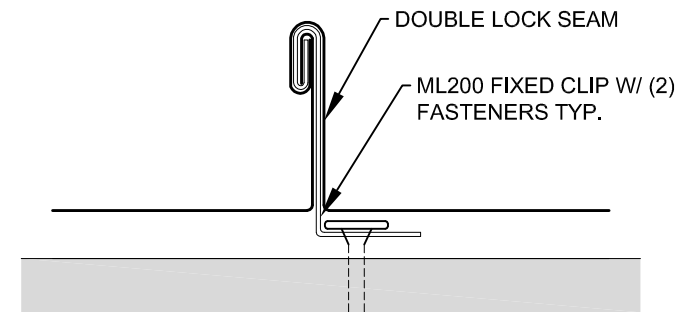
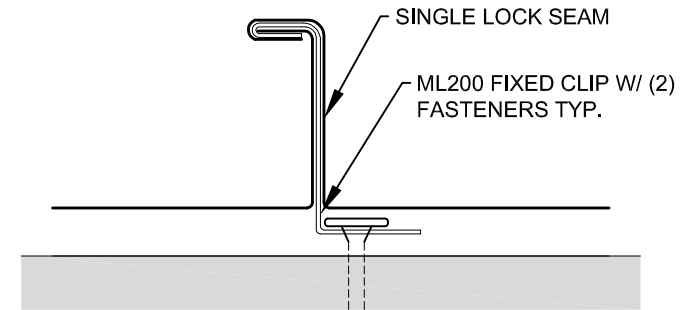
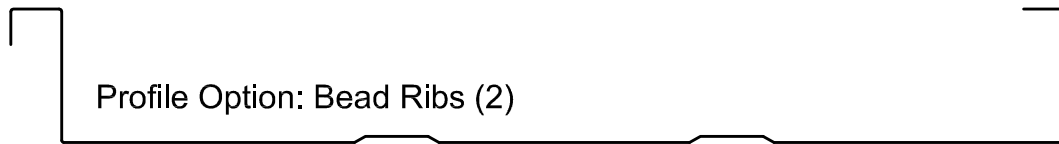
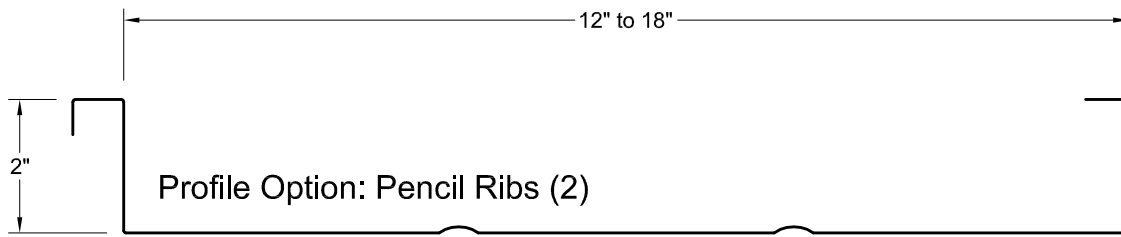
**ML200-WS-0.10\_EX**

Substrate:

**WOOD SUBSTRATE**

Project Name:

Location:

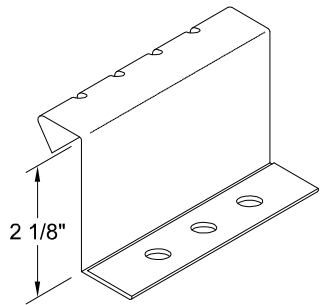


Description: **ML200 SYSTEM OVERVIEW - PANEL PROFILES**

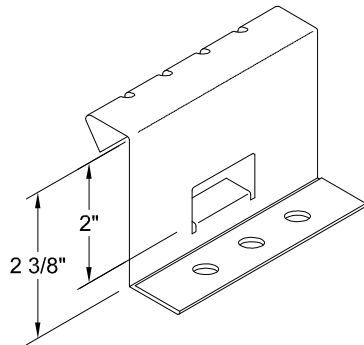
Detail No.: **ML200-0.20**

Substrate:

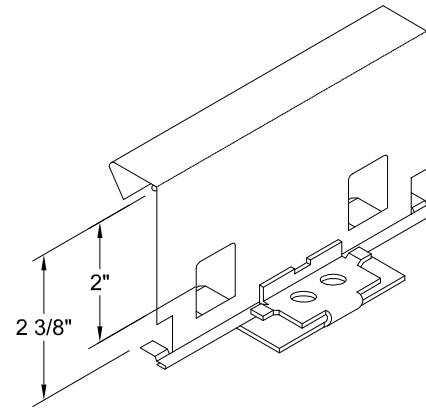
Project Name:  
Location:



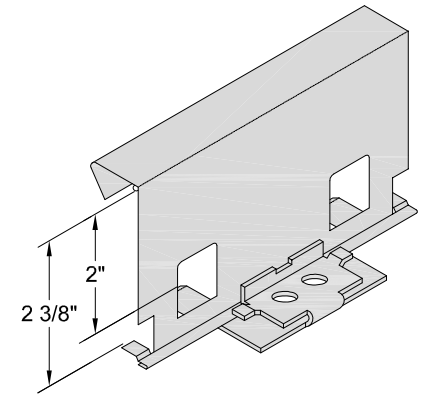
**Clip 40 Fixed**  
 22 Ga. Galvanized  
 2.125" x 3.25"



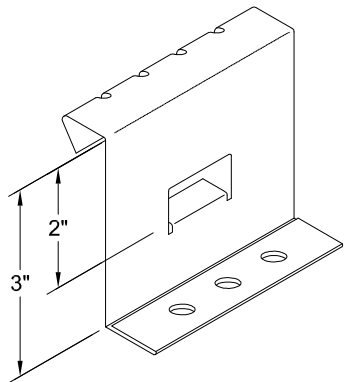
**Clip 41 Fixed**  
 22 Ga. Galvanized  
 2.375" x 3.25" (0.375" Substrate Standoff)



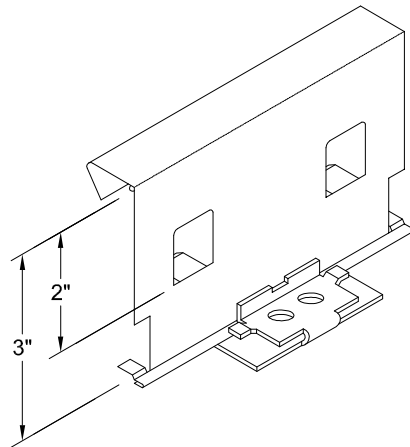
**Clip 42 Expansion**  
 22 Ga. Galvanized w/ 16 Ga. Base  
 2.375" x 4.25" (0.375" Substrate Standoff)  
 Use with up to 3" of blanket insulation



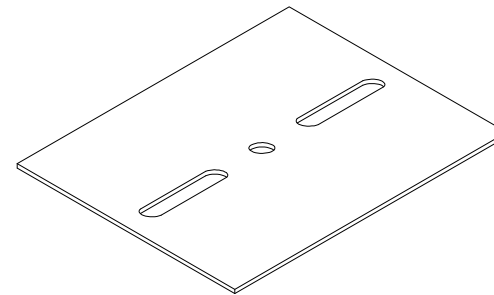
**Clip 43 Expansion**  
 22 Ga. Stainless Steel w/ 16 Ga. Base  
 2.375" x 4.25" (0.375" Substrate Standoff)  
*Recommended for use with aluminum panels*  
 Use with up to 3" of blanket insulation



**Clip 44 Fixed**  
 22 Ga. Galvanized  
 3" x 3" (1" Substrate Standoff)  
 Use with up to 6" of blanket insulation



**Clip 45 Expansion**  
 22 Ga. Galvanized w/ 16 Ga. Base  
 3" x 3" (1" Substrate Standoff)  
 Use with up to 6" of blanket insulation



**4" x 5" Bearing Plate**  
 16 Ga. Galvanized  
*Required for use when clips are applied directly over rigid board insulation*

**IMPORTANT INSTALLATION NOTE**  
 EXPANSION CLIPS ARE RECOMMENDED FOR PANEL LENGTHS GREATER THAN 30'-0".



Description:

**ML200 SYSTEM OVERVIEW - CLIPS**

Detail No.:

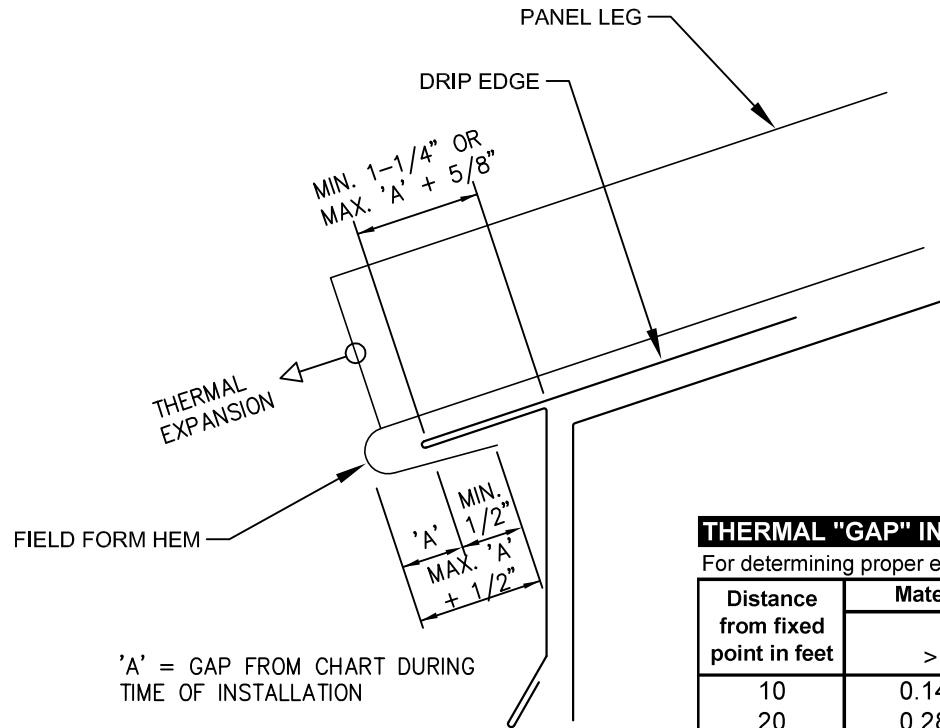
ML200-0.21

Substrate:

Project Name:

Location:





'A' = GAP FROM CHART DURING TIME OF INSTALLATION

### THERMAL "GAP" INSTALLATION CHART (In inches) - STEEL

For determining proper expansion/contraction gap at panel ends during installation

Distance from fixed point in feet	Material Temperature (Surface Temperature) During Installation					
	Hot >100° F		Warm 100° to 50° F		Cold <50° F	
10	0.145	1/8	0.072	1/16	0.000	0
20	0.289	5/16	0.145	1/8	0.000	0
30	0.434	7/16	0.217	3/16	0.125	1/8
40	0.579	9/16	0.289	5/16	0.125	1/8
50	0.724	3/4	0.362	3/8	0.188	3/16
60	0.868	7/8	0.434	7/16	0.188	3/16
70	1.013	1	0.507	1/2	0.250	1/4
80	1.158	1 3/16	0.579	9/16	0.250	1/4
90	1.302	1 5/16	0.651	5/8	0.375	3/8
100	1.447	1 7/16	0.724	3/4	0.375	3/8

\* Chart based on temperature differential of: 180 degrees F

\* Coefficient of thermal expansion for steel: 0.0000067



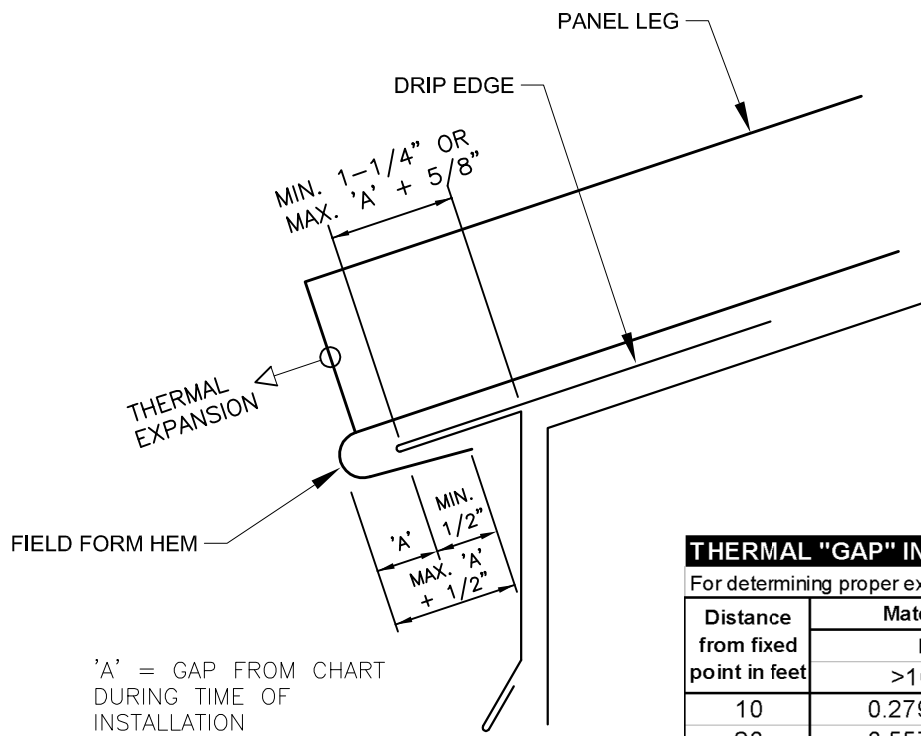
Description: THERMAL GAP INSTALLATION CHART - STEEL

Detail No.: ML200-0.30

Substrate:

Project Name:

Location:



### THERMAL "GAP" INSTALLATION CHART (In inches) - ALUMINUM

For determining proper expansion/contraction gap at panel ends during installation

Distance from fixed point in feet	Material Temperature (Surface Temperature) During Installation					
	Hot >100° F		Warm 100° to 50° F		Cold <50° F	
10	0.279	1/4	0.139	1/8	0.000	0
20	0.557	9/16	0.279	1/4	0.000	0
30	0.836	13/16	0.418	7/16	0.125	1/8
40	1.115	1 1/8	0.557	9/16	0.125	1/8
50	1.393	1 3/8	0.697	11/16	0.188	3/16
60	1.672	1 11/16	0.836	13/16	0.188	3/16
70	1.950	1 15/16	0.975	1	0.250	1/4
80	2.229	2 1/4	1.115	1 1/8	0.250	1/4
90	2.508	2 1/2	1.254	1 1/4	0.375	3/8
100	2.786	2 13/16	1.393	1 3/8	0.375	3/8

\* Chart based on temperature differential of: 180 degrees F

\* Coefficient of thermal expansion for alum.: 0.0000129



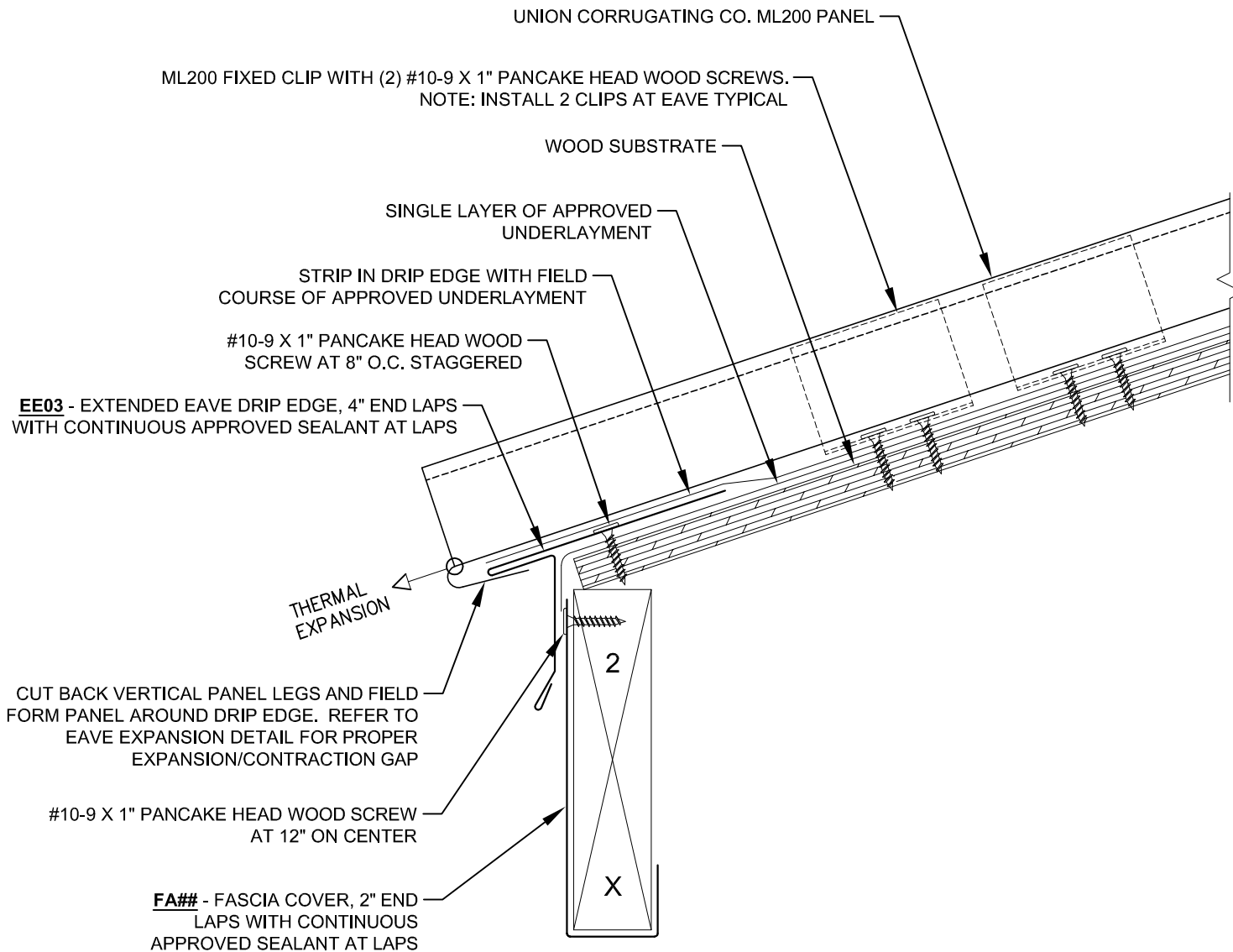
Description: **THERMAL GAP INSTALLATION CHART - ALUMINUM**

Detail No.: ML200-0.31

Substrate:

Project Name:

Location:



Description:

# EXTENDED EAVE - FIXED CLIP

Detail No.:

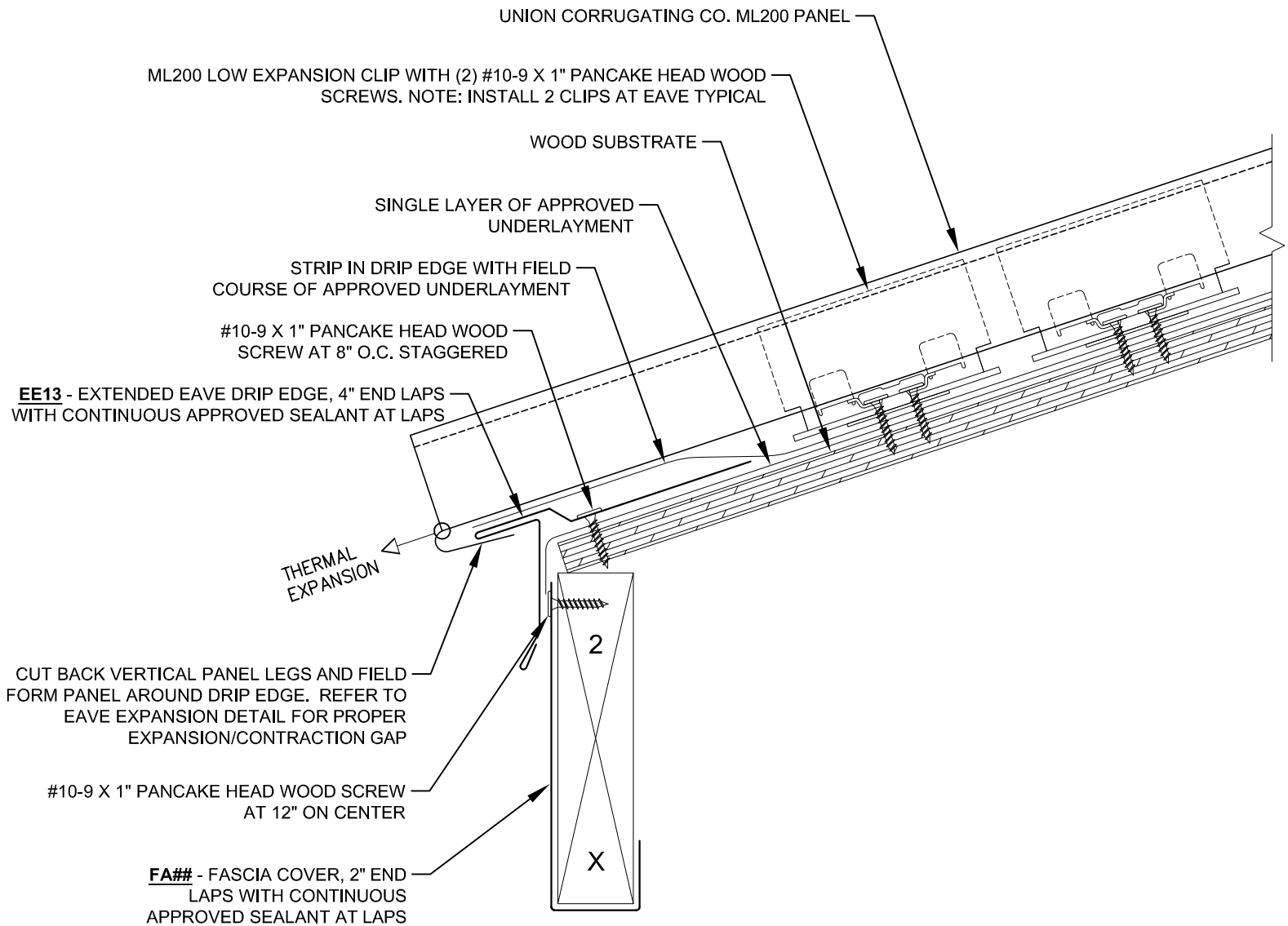
ML200-WS-1.10\_FX

Substrate:

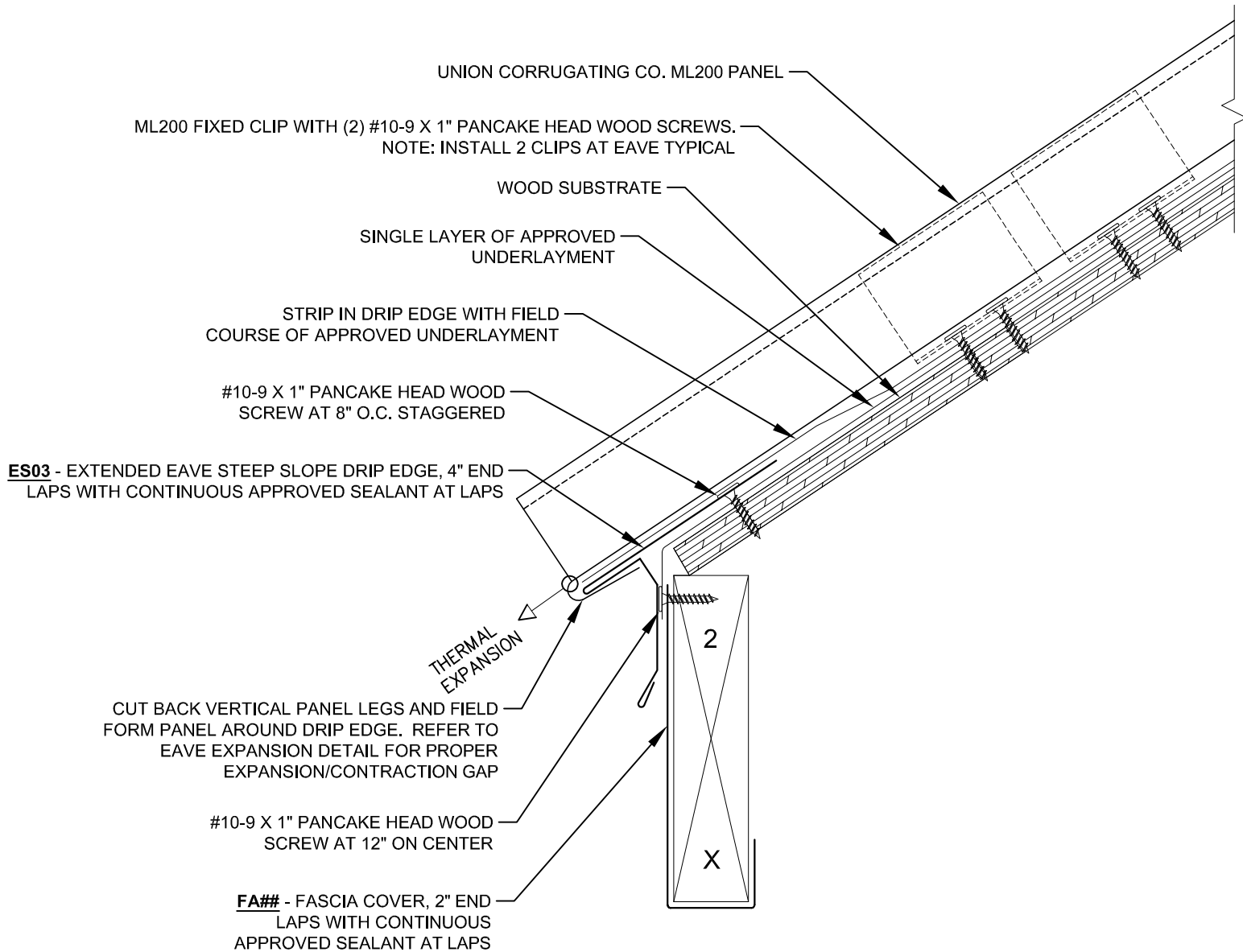
WOOD SUBSTRATE

Project Name:

Location:



Description:	<b>EXTENDED EAVE - EXPANSION CLIP</b>		Detail No.:
	WOOD SUBSTRATE		ML200-WS-1.10_EX
Substrate:	Project Name:		Location:

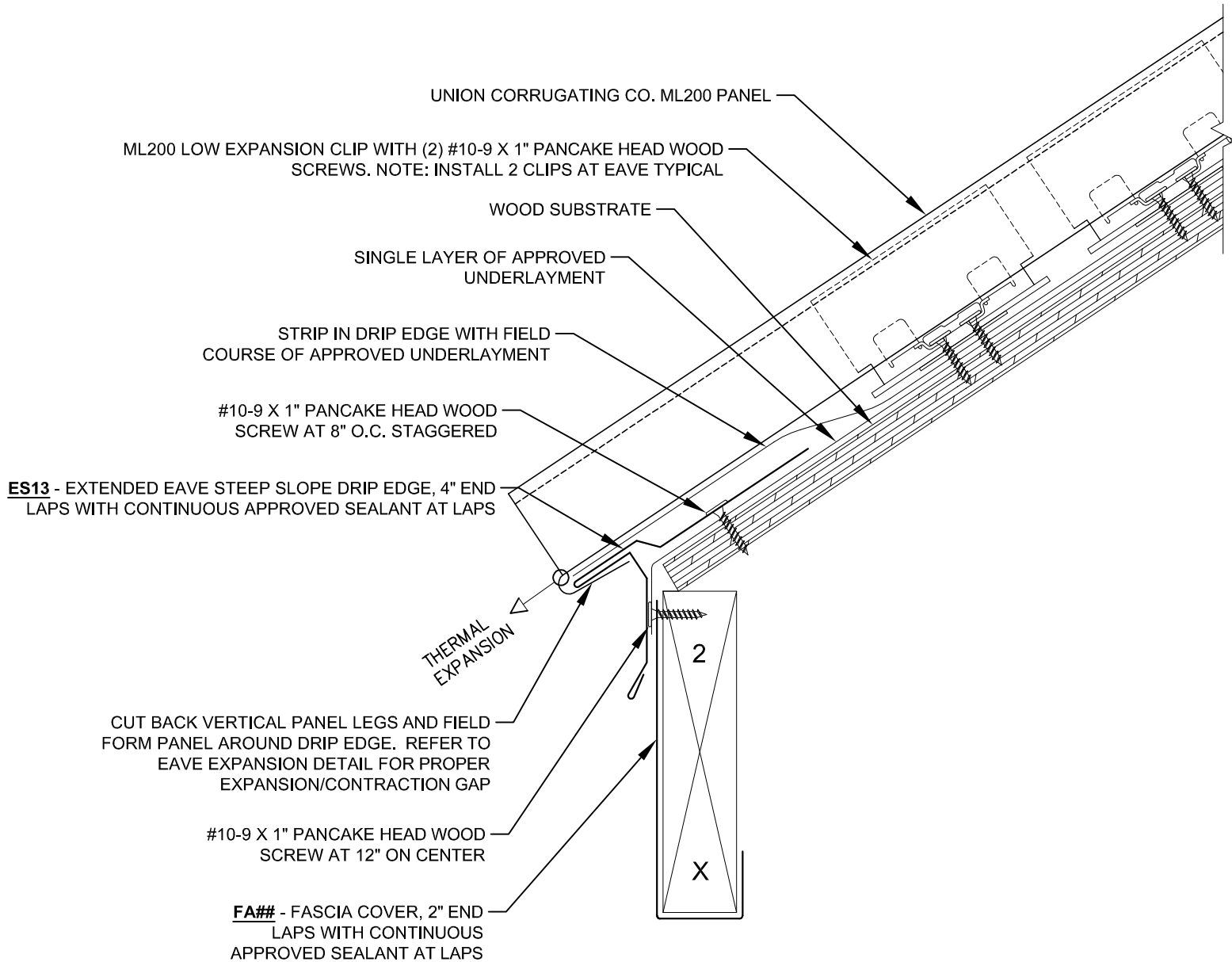


Description: **EXTENDED EAVE - STEEP SLOPE - FIXED CLIP**

Detail No.: **ML200-WS-1.10A\_FX**

Substrate: **WOOD SUBSTRATE**

Project Name:  
Location:



Description: **EXTENDED EAVE - STEEP SLOPE - EXPANSION CLIP**

Detail No.: **ML200-WS-1.10A\_EX**

Substrate: **WOOD SUBSTRATE**

Project Name:  
Location:

UNION CORRUGATING CO. ML200 PANEL

ML200 FIXED CLIP WITH (2) #10-9 X 1" PANCAKE HEAD WOOD SCREWS. NOTE: INSTALL 2 CLIPS AT EAVE TYPICAL

WOOD SUBSTRATE

SINGLE LAYER OF APPROVED UNDERLAYMENT

STRIP IN DRIP EDGE WITH FIELD COURSE OF APPROVED UNDERLAYMENT

#10-9 X 1" PANCAKE HEAD WOOD SCREW AT 8" O.C. STAGGERED

**EE02** - EXTENDED EAVE DRIP EDGE, 4" END LAPS WITH CONTINUOUS APPROVED SEALANT AT LAPS

CUT BACK VERTICAL PANEL LEGS AND FIELD FORM PANEL AROUND DRIP EDGE. REFER TO EAVE EXPANSION DETAIL FOR PROPER EXPANSION/CONTRACTION GAP

THERMAL EXPANSION

18 GA. GALVANIZED STEEL HIDDEN HANGER AT 24" ON CENTER

**GT07** - 7" GUTTER, LAP AND SEAL CONTINUOUS WITH 2 ROWS OF APPROVED SEALANT. RIVET AT LAPS 2" ON CENTER.

**FA##** - FASCIA COVER, 2" END LAPS WITH CONTINUOUS APPROVED SEALANT AT LAPS



Description: **EXTENDED EAVE WITH GUTTER - FIXED CLIP**

Detail No.: **ML200-WS-1.20\_FX**

Substrate: **WOOD SUBSTRATE**

Project Name:  
Location:

UNION CORRUGATING CO. ML200 PANEL

ML200 LOW EXPANSION CLIP WITH (2) #10-9 X 1" PANCAKE HEAD WOOD SCREWS. NOTE: INSTALL 2 CLIPS AT EAVE TYPICAL

WOOD SUBSTRATE

SINGLE LAYER OF APPROVED UNDERLAYMENT

STRIP IN DRIP EDGE WITH FIELD COURSE OF APPROVED UNDERLAYMENT

#10-9 X 1" PANCAKE HEAD WOOD SCREW AT 8" O.C. STAGGERED

**EE12** - EXTENDED EAVE DRIP EDGE, 4" END LAPS WITH CONTINUOUS APPROVED SEALANT AT LAPS

CUT BACK VERTICAL PANEL LEGS AND FIELD FORM PANEL AROUND DRIP EDGE. REFER TO EAVE EXPANSION DETAIL FOR PROPER EXPANSION/CONTRACTION GAP

THERMAL EXPANSION

18 GA. GALVANIZED STEEL HIDDEN HANGER AT 24" ON CENTER

**GT07** - 7" GUTTER, LAP AND SEAL CONTINUOUS WITH 2 ROWS OF APPROVED SEALANT. RIVET AT LAPS 2" ON CENTER.

**FA##** - FASCIA COVER, 2" END LAPS WITH CONTINUOUS APPROVED SEALANT AT LAPS



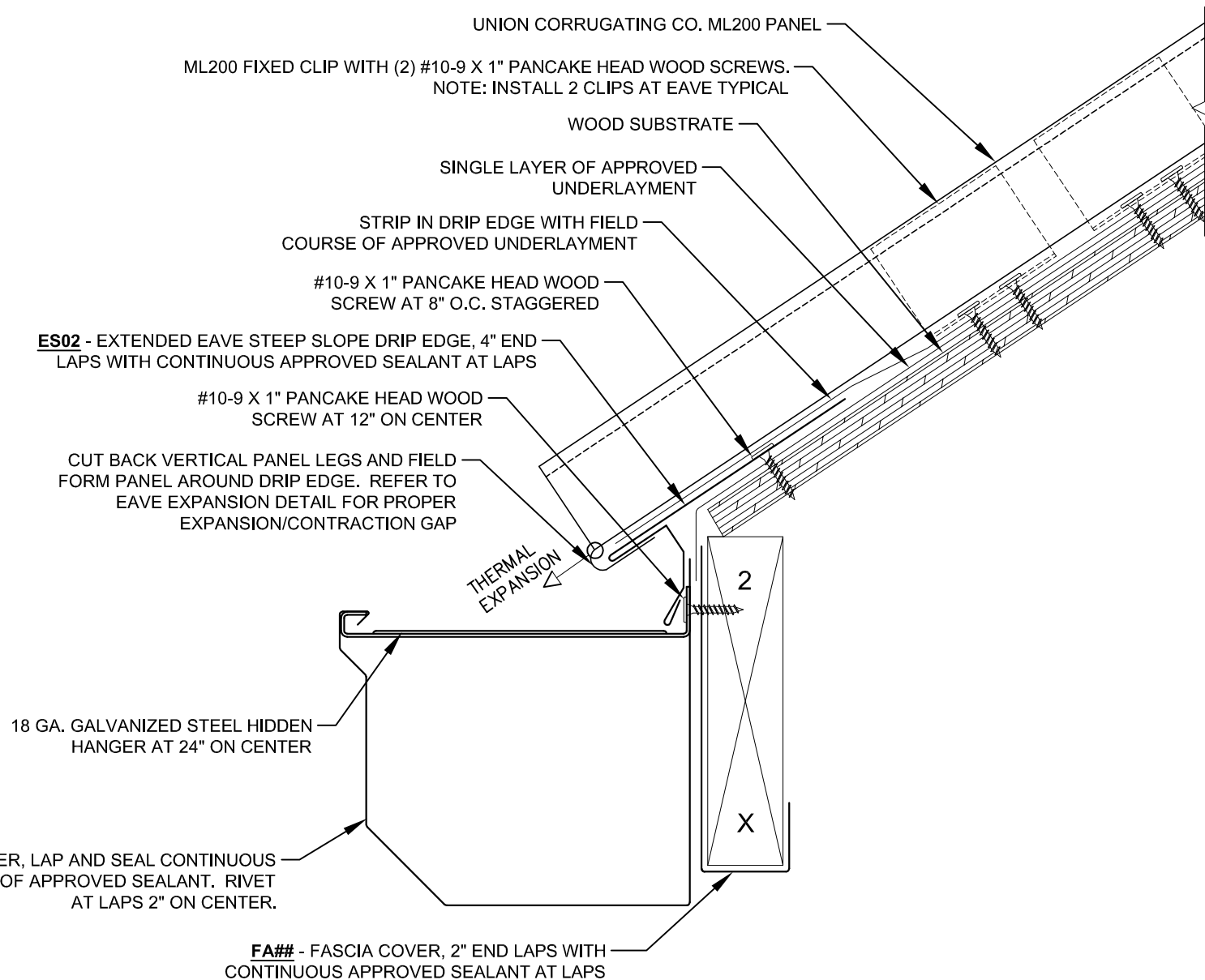
Description: **EXTENDED EAVE WITH GUTTER - EXPANSION CLIP**

Detail No.: **ML200-WS-1.20\_EX**

Substrate: **WOOD SUBSTRATE**

Project Name:  
Location:





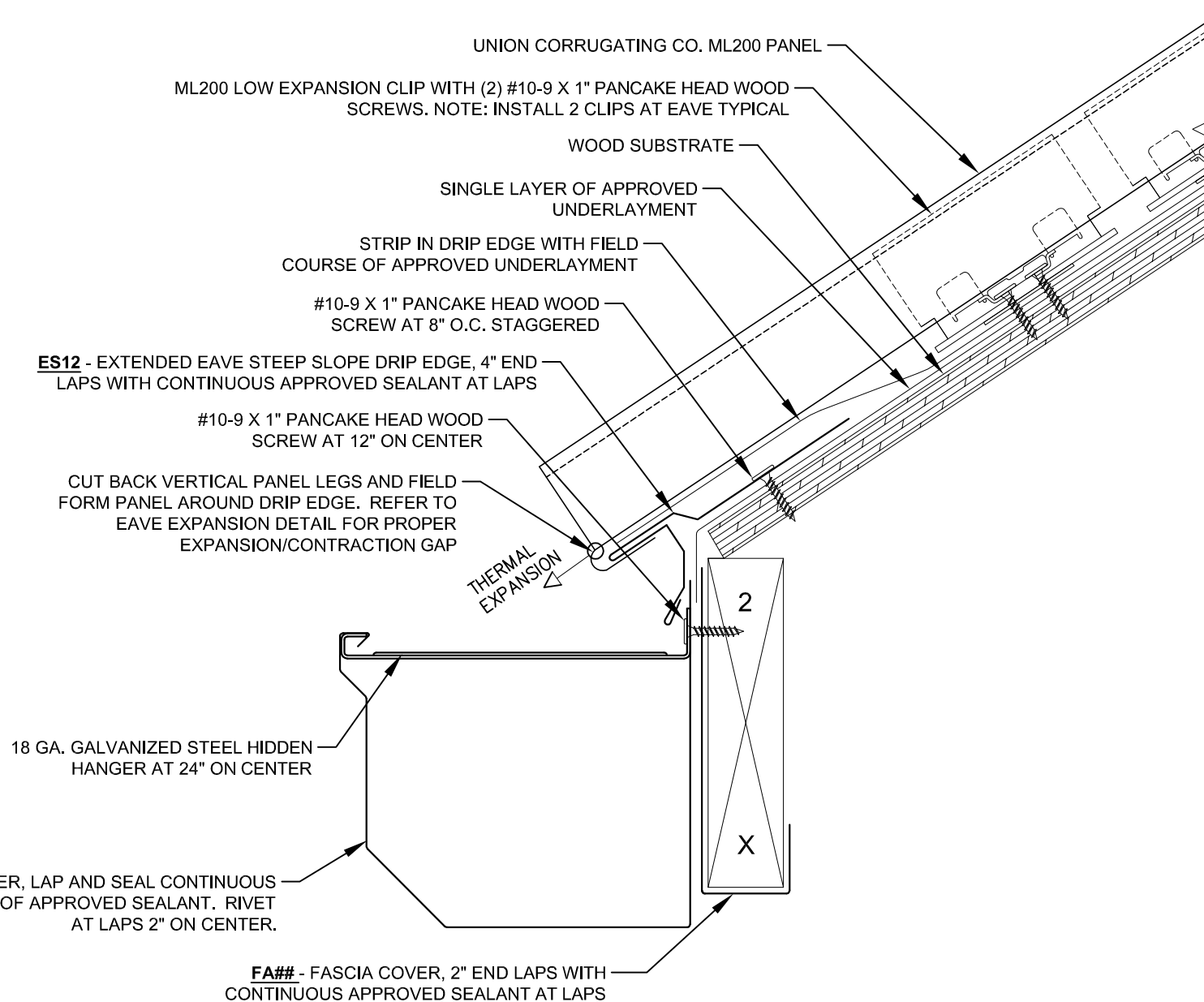
Description: **EXT. EAVE W/ GUTTER- STEEP SLOPE - FIXED CLIP**

Substrate: **WOOD SUBSTRATE**

Detail No.: **ML200-WS-1.20A\_FX**

Project Name:

Location:



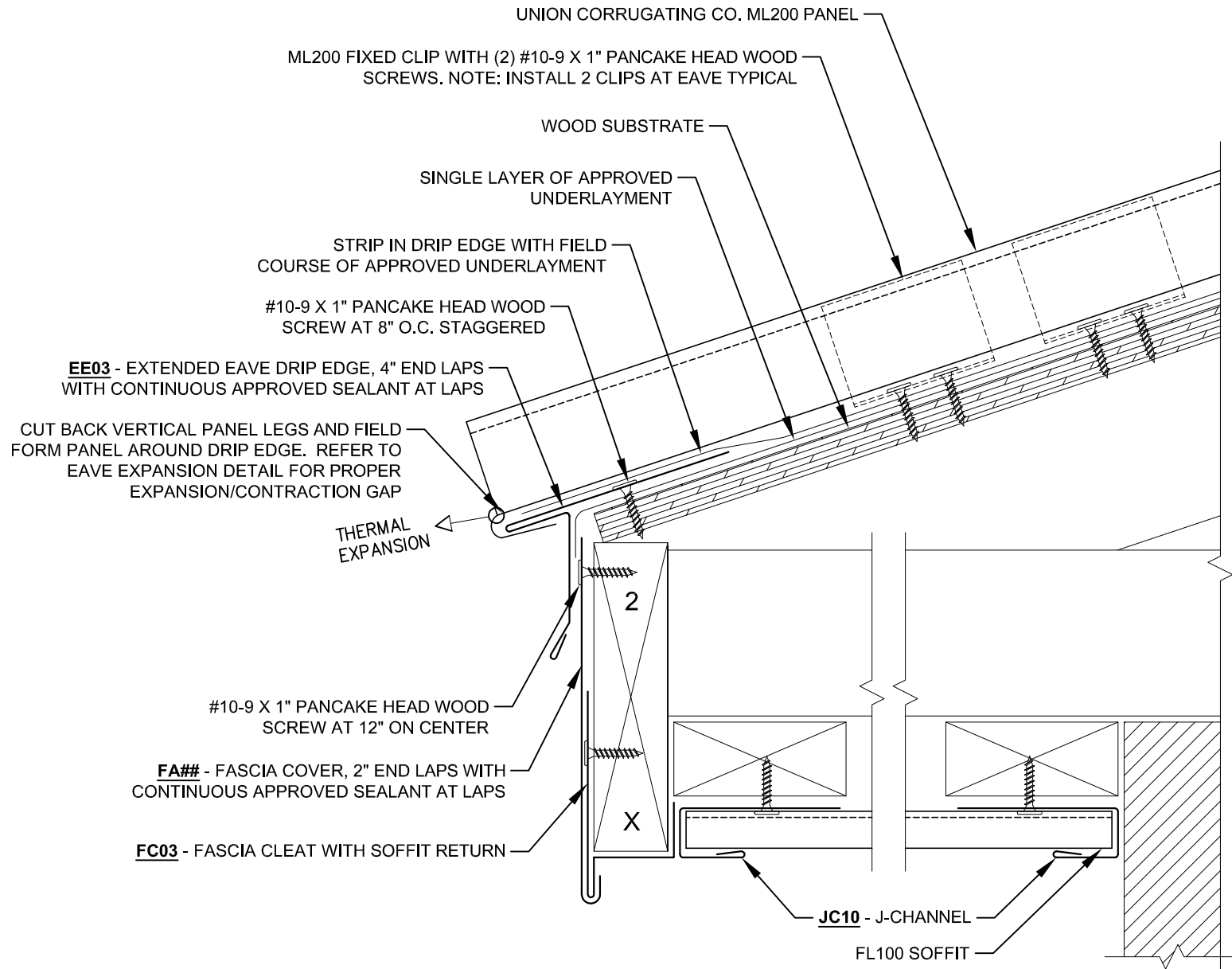
Description: **EXT. EAVE W/ GUTTER- STEEP SLOPE - EXPANSION CLIP**

Detail No.: **ML200-WS-1.20A\_EX**

Substrate: **WOOD SUBSTRATE**

Project Name:

Location:



Description:

# EXTENDED EAVE WITH SOFFIT - FIXED CLIP

Detail No.:

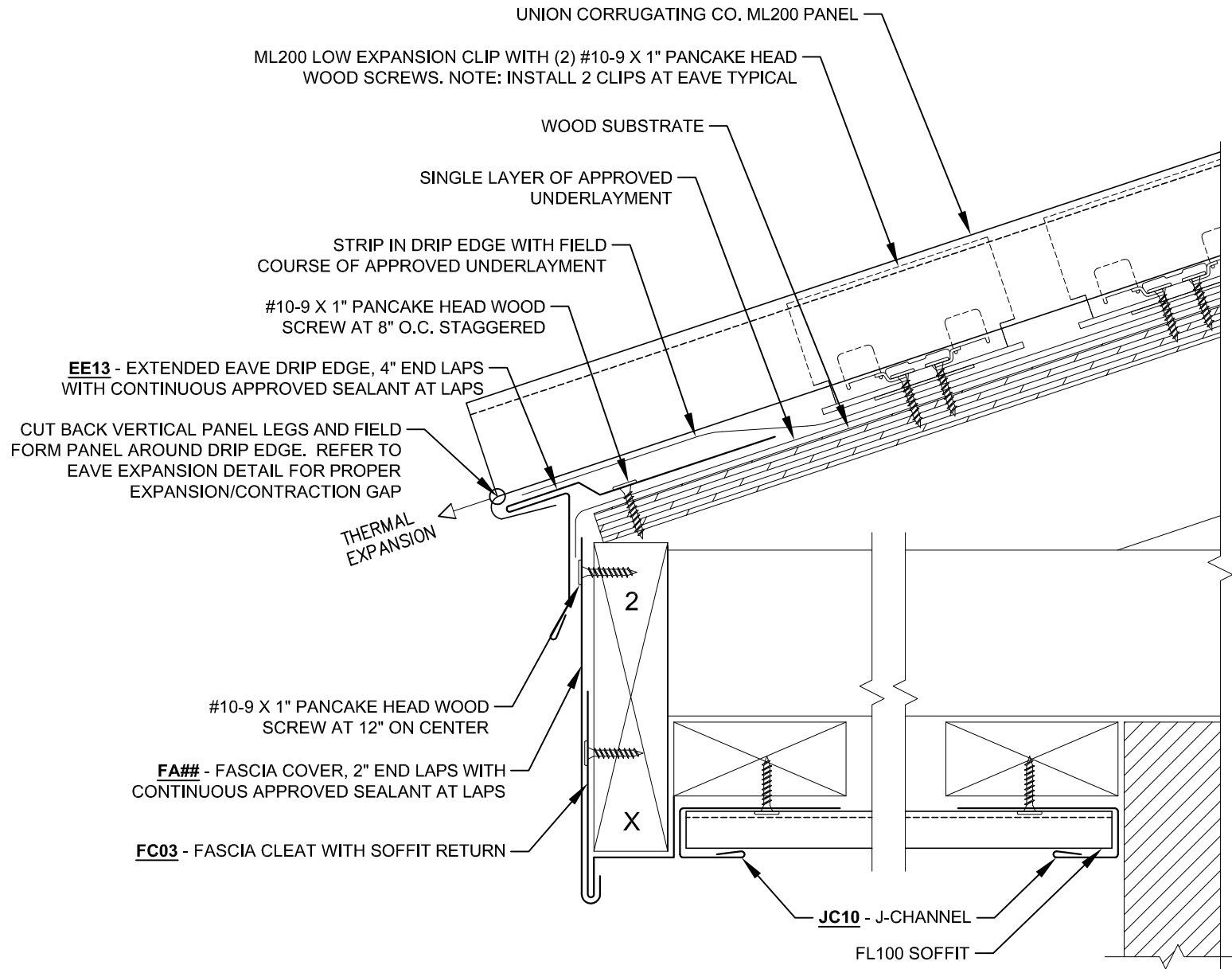
ML200-WS-1.30\_FX

Substrate:

WOOD SUBSTRATE

Project Name:

Location:

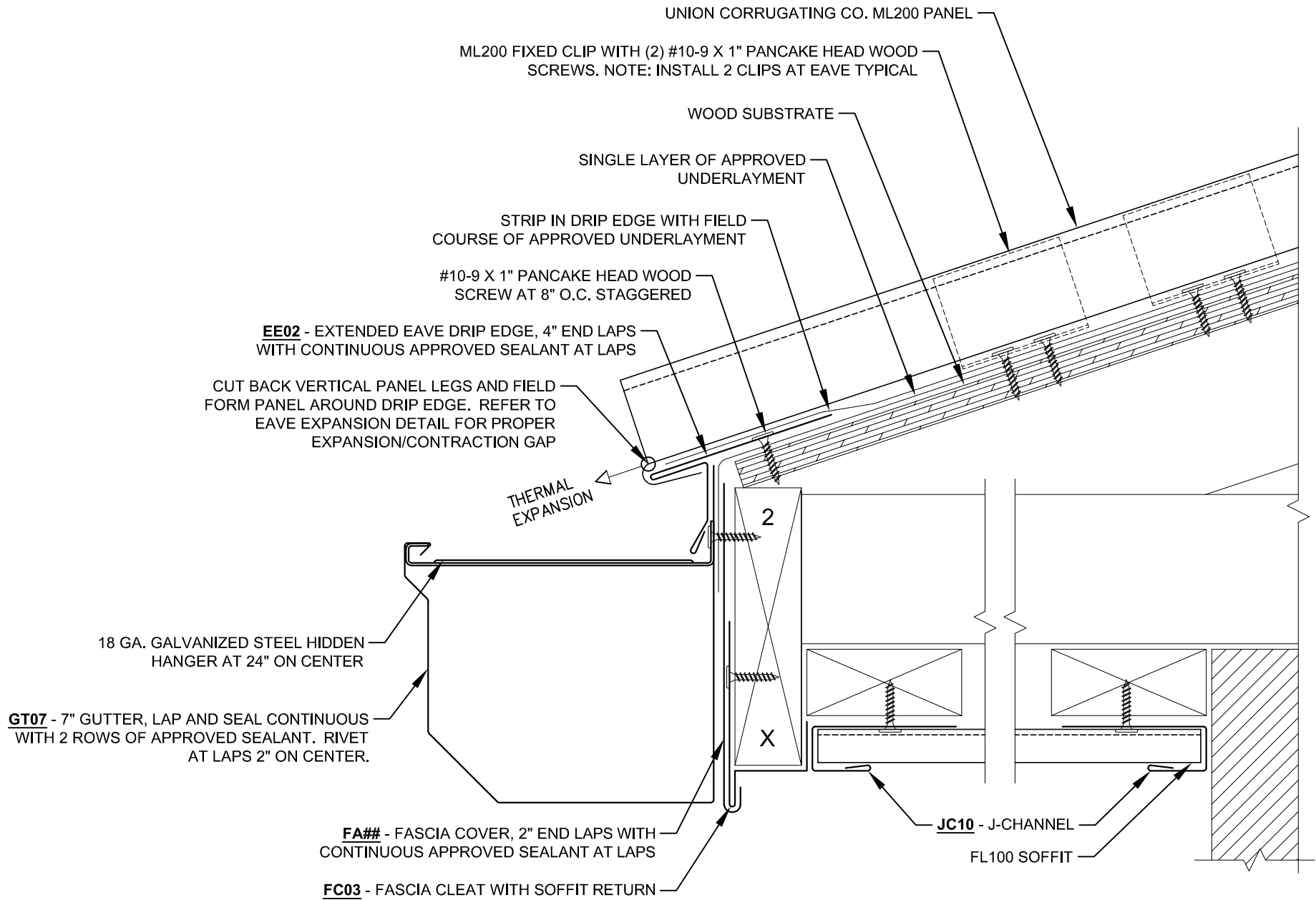


Description: **EXTENDED EAVE WITH SOFFIT - EXPANSION CLIP**

Detail No.: **ML200-WS-1.30\_EX**

Substrate: **WOOD SUBSTRATE**

Project Name:  
Location:



Description:

**EXT. EAVE W/ SOFFIT & GUTTER - FIXED CLIP**

Detail No.:

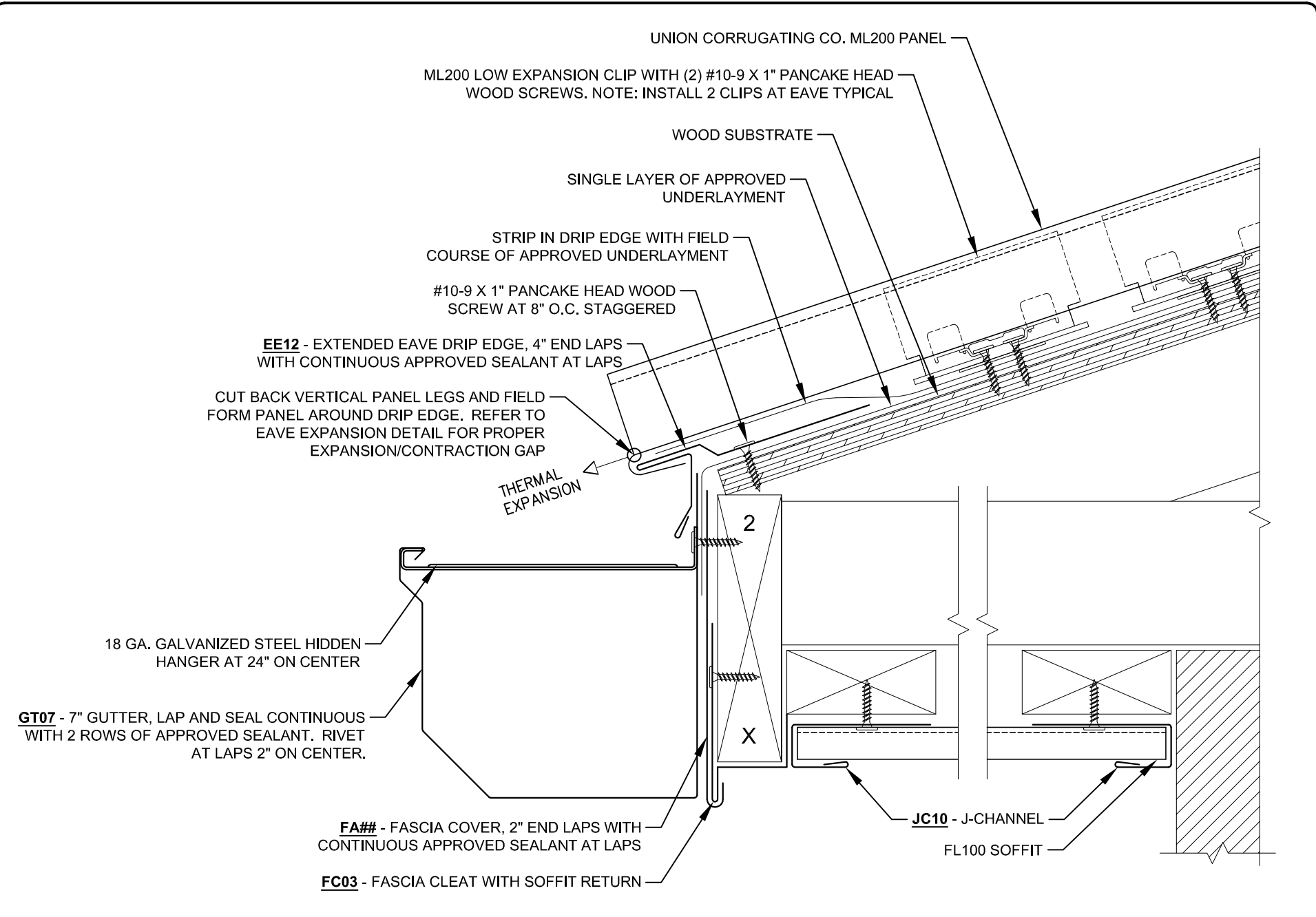
**ML200-WS-1.40\_FX**

Substrate:

**WOOD SUBSTRATE**

Project Name:

Location:

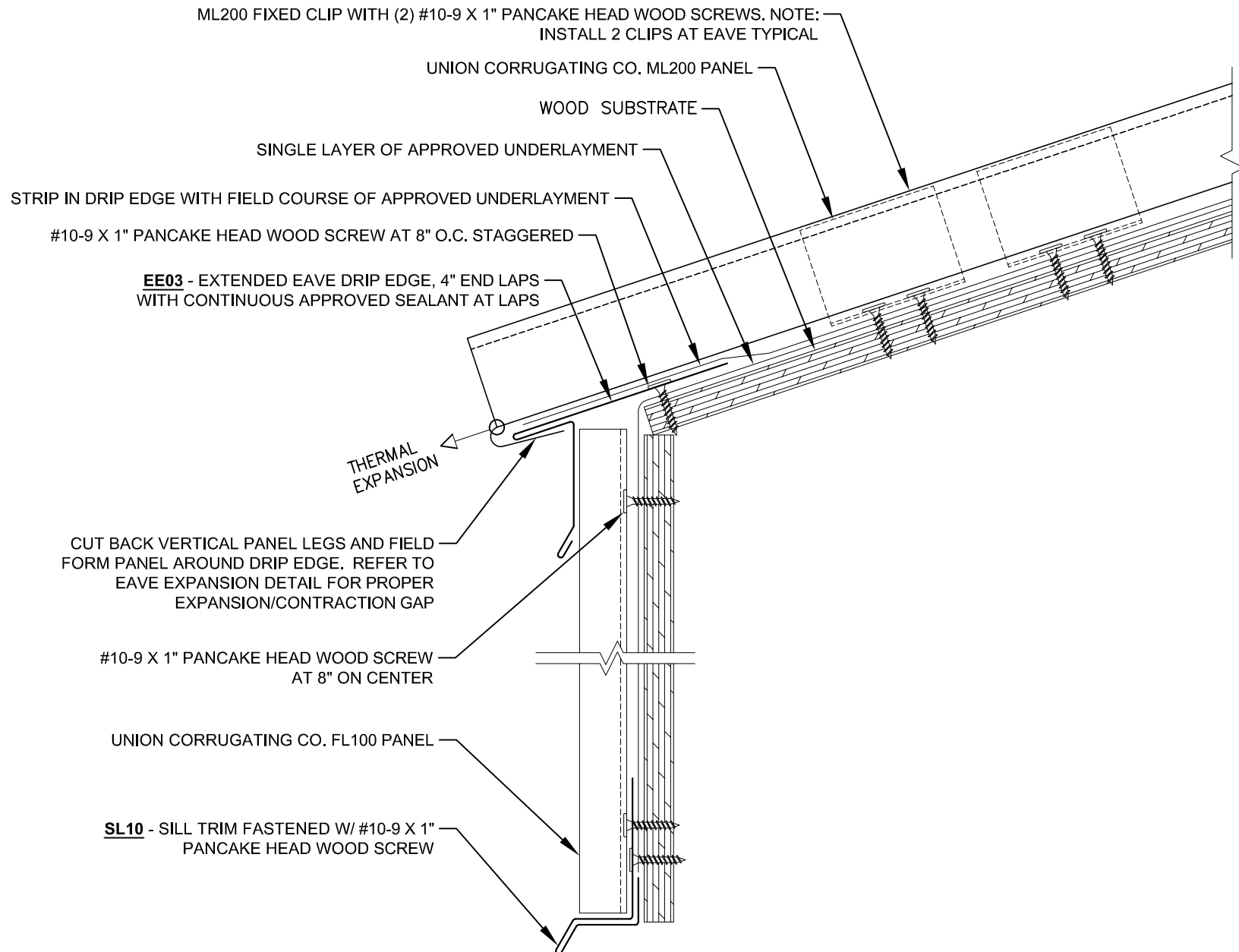


Description: **EXT. EAVE W/ SOFFIT & GUTTER - EXPANSION CLIP**

Detail No.: **ML200-WS-1.40\_EX**

Substrate: **WOOD SUBSTRATE**

Project Name:  
Location:

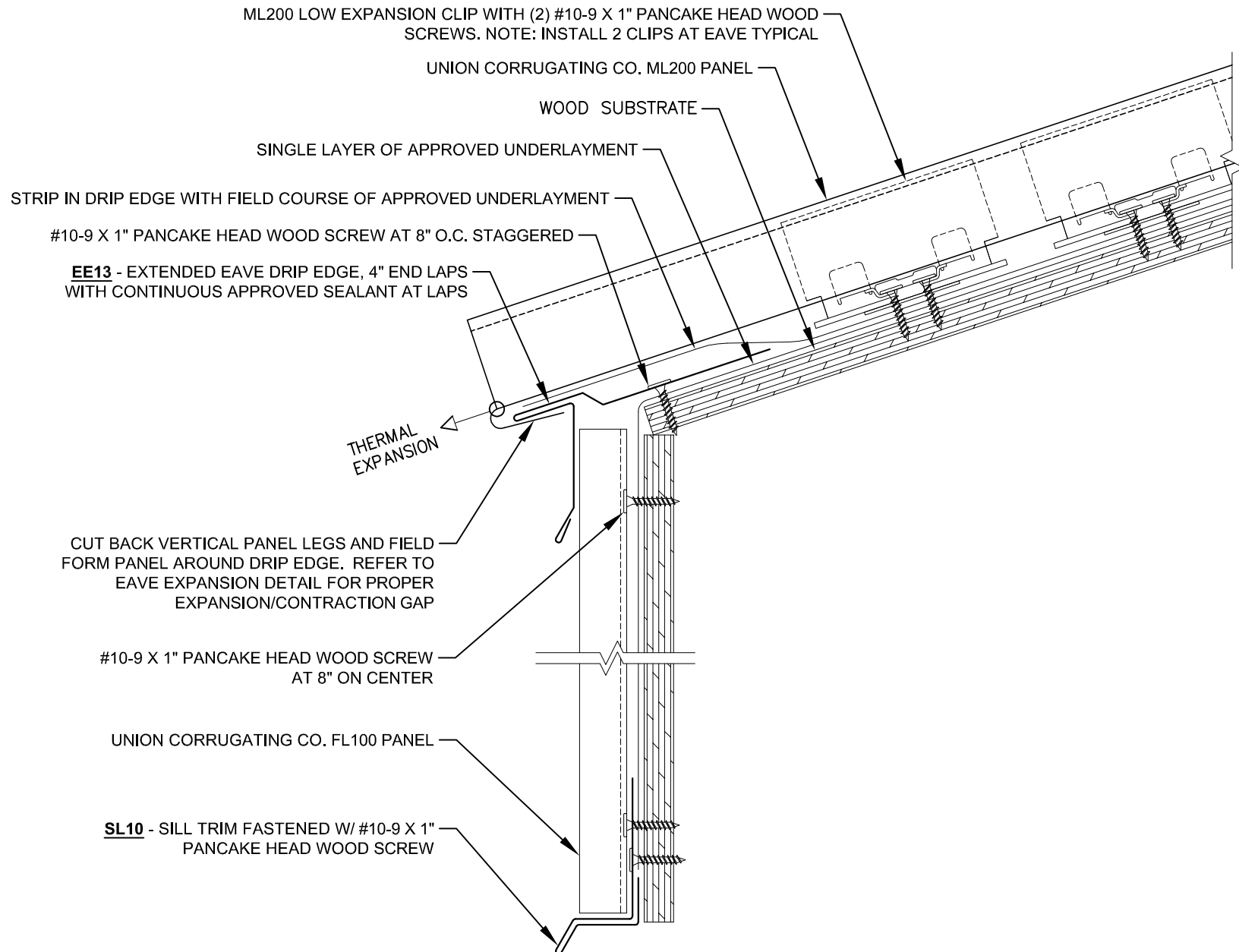


Description: **EXT. EAVE W/ FLUSH WALL PANEL - FIXED CLIP**

Detail No.: **ML200-WS-1.50\_FX**

Substrate: **WOOD SUBSTRATE**

Project Name:  
Location:



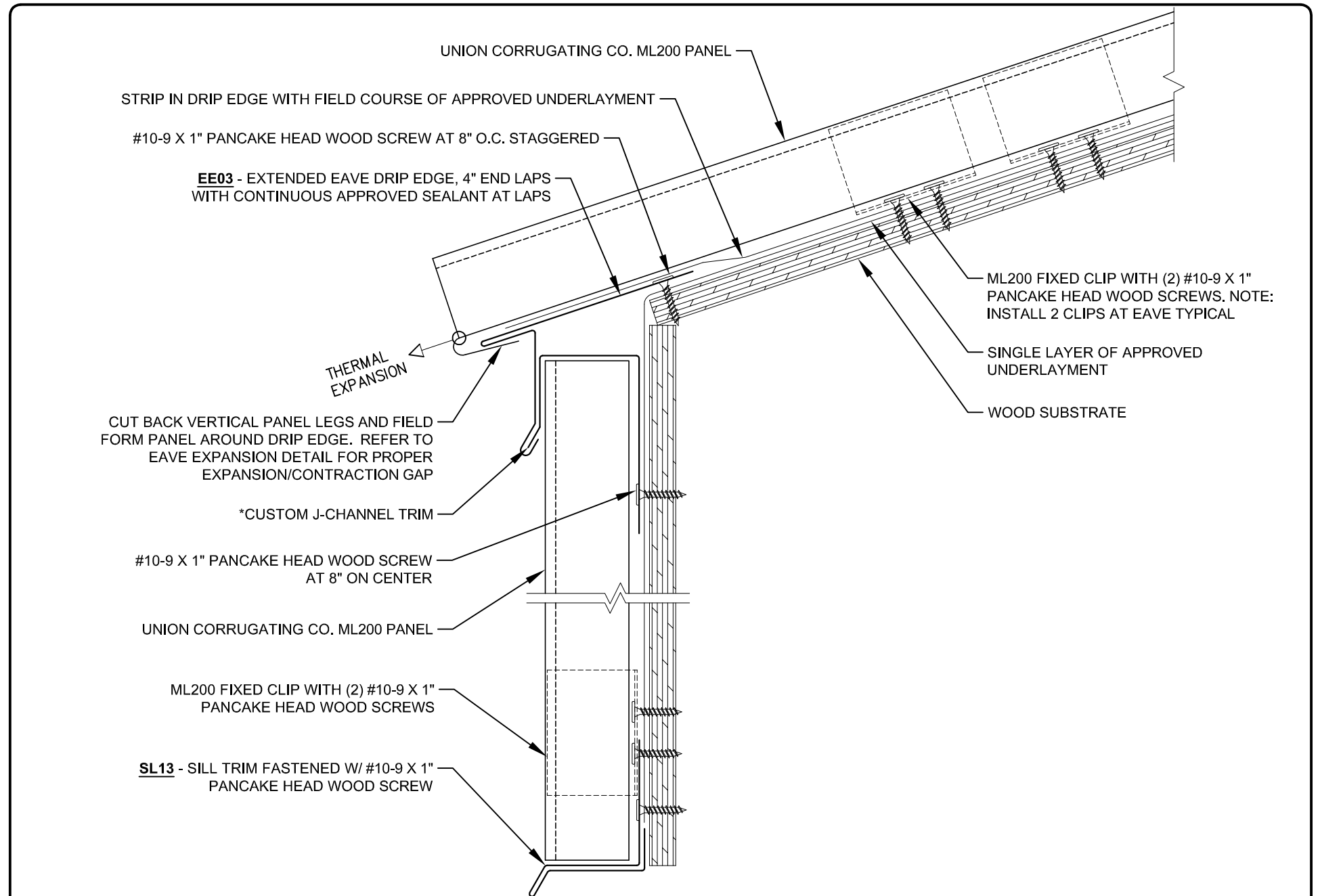
Description: **EXT. EAVE W/ FLUSH WALL PANEL - EXPANSION CLIP**

Detail No.: **ML200-WS-1.50\_EX**

Substrate: **WOOD SUBSTRATE**

Project Name:  
Location:



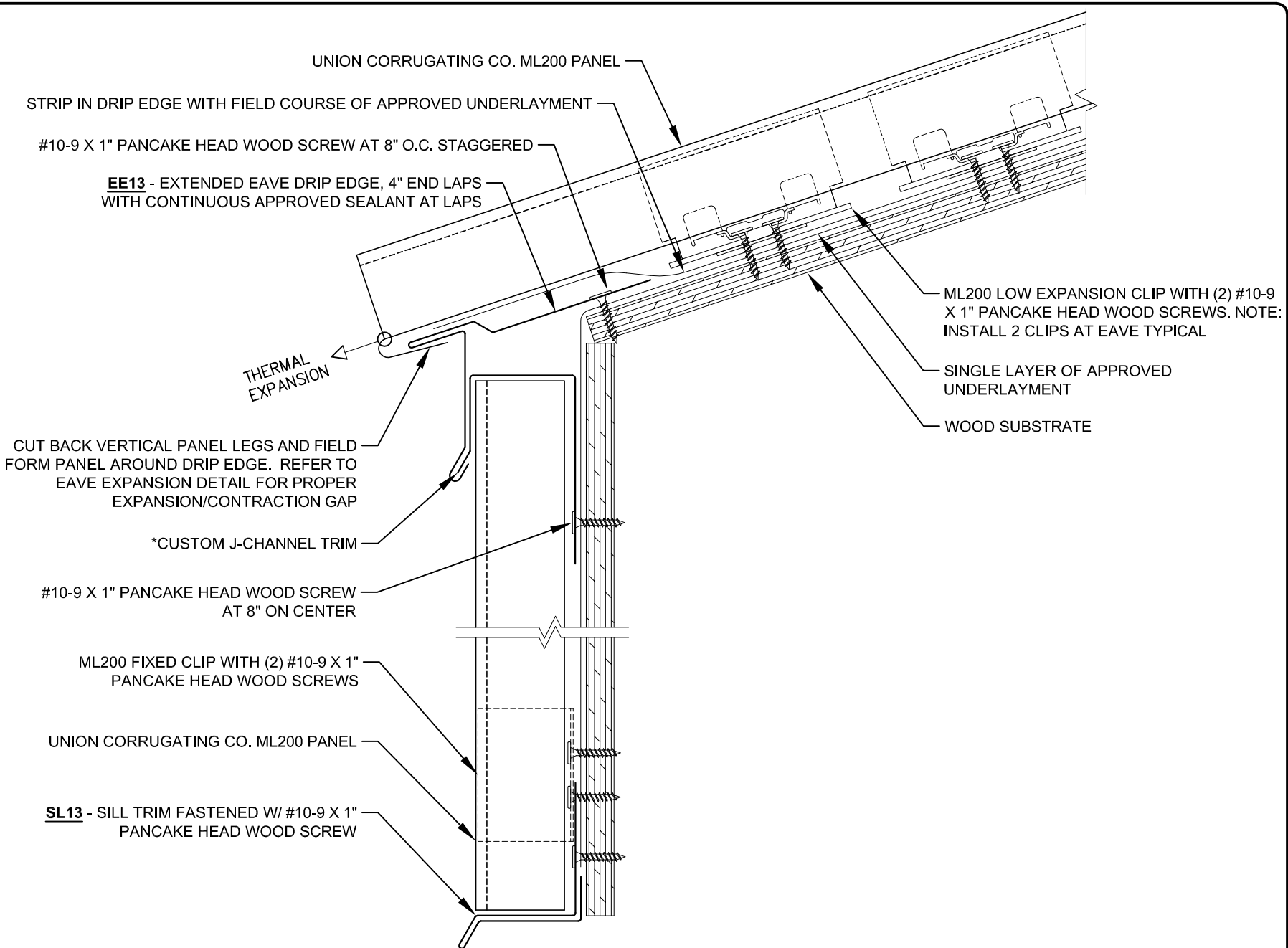


Description: **EXT. EAVE W/ STANDING SEAM WALL PANELS - FIXED CLIP**

Detail No.: **ML200-WS-1.60\_FX**

Substrate: **WOOD SUBSTRATE**

Project Name:  
Location:



UNION CORRUGATING CO. ML200 PANEL

STRIP IN DRIP EDGE WITH FIELD COURSE OF APPROVED UNDERLAYMENT

#10-9 X 1" PANCAKE HEAD WOOD SCREW AT 8" O.C. STAGGERED

**EE13** - EXTENDED EAVE DRIP EDGE, 4" END LAPS WITH CONTINUOUS APPROVED SEALANT AT LAPS

THERMAL EXPANSION

ML200 LOW EXPANSION CLIP WITH (2) #10-9 X 1" PANCAKE HEAD WOOD SCREWS. NOTE: INSTALL 2 CLIPS AT EAVE TYPICAL

SINGLE LAYER OF APPROVED UNDERLAYMENT

WOOD SUBSTRATE

CUT BACK VERTICAL PANEL LEGS AND FIELD FORM PANEL AROUND DRIP EDGE. REFER TO EAVE EXPANSION DETAIL FOR PROPER EXPANSION/CONTRACTION GAP

\*CUSTOM J-CHANNEL TRIM

#10-9 X 1" PANCAKE HEAD WOOD SCREW AT 8" ON CENTER

ML200 FIXED CLIP WITH (2) #10-9 X 1" PANCAKE HEAD WOOD SCREWS

UNION CORRUGATING CO. ML200 PANEL

**SL13** - SILL TRIM FASTENED W/ #10-9 X 1" PANCAKE HEAD WOOD SCREW

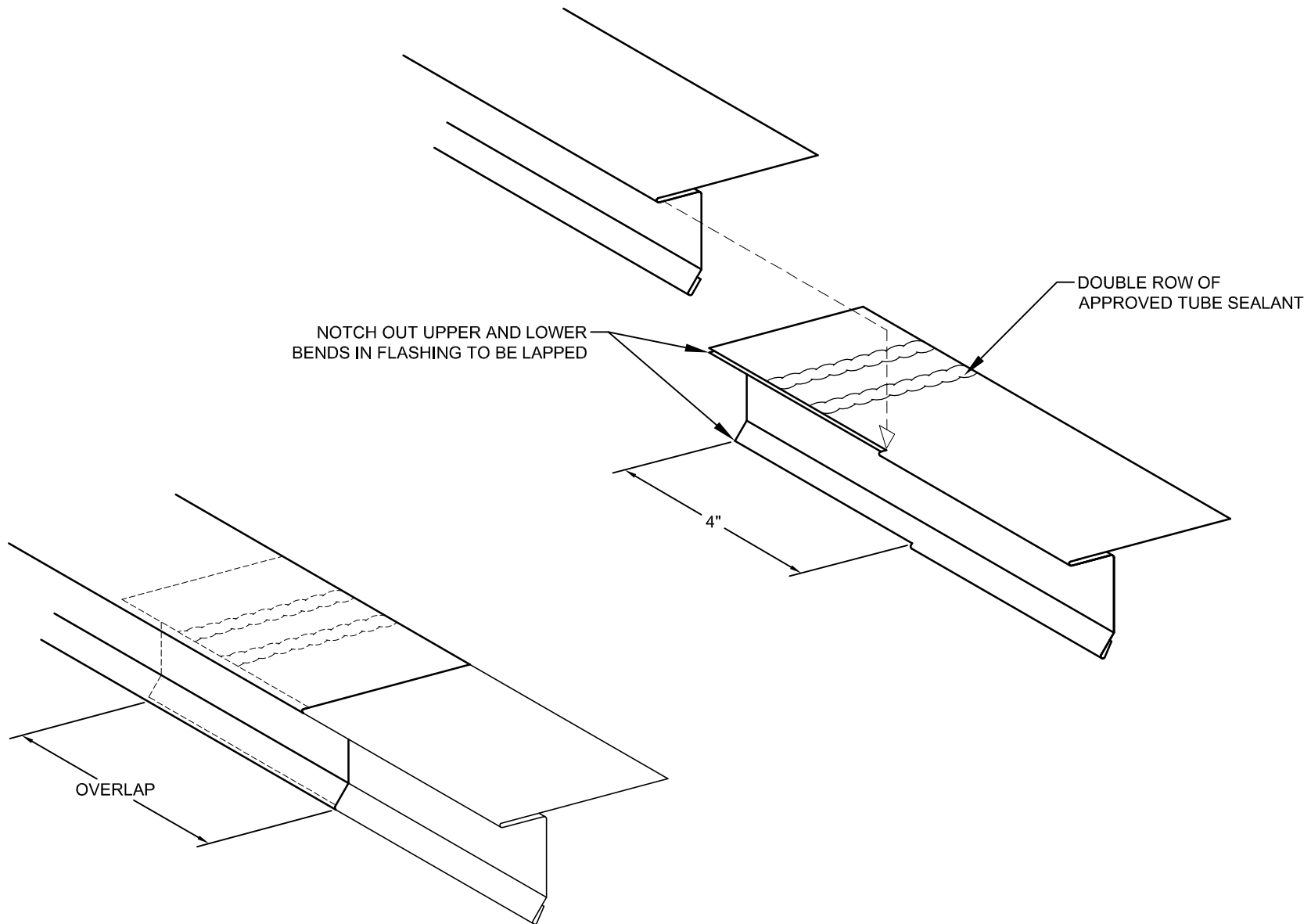


Description: **EXT. EAVE W/ STANDING SEAM WALL PANEL - EXPANSION CLIP**

Detail No.: **ML200-WS-1.60\_EX**

Substrate: **WOOD SUBSTRATE**

Project Name:  
Location:



Description:

# DRIP EDGE LAP DETAIL

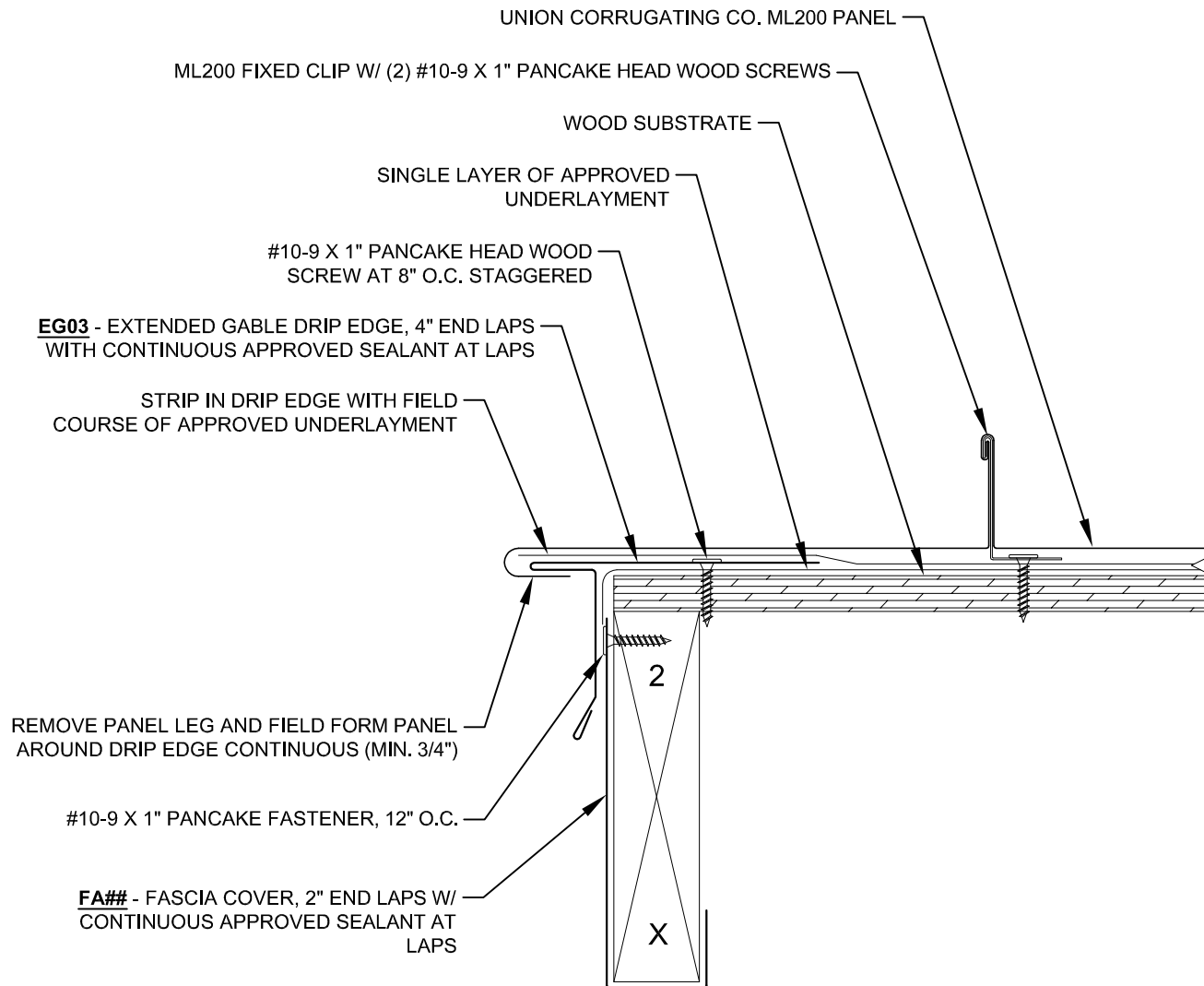
Detail No.:

ML200-1.90

Substrate:

Project Name:

Location:

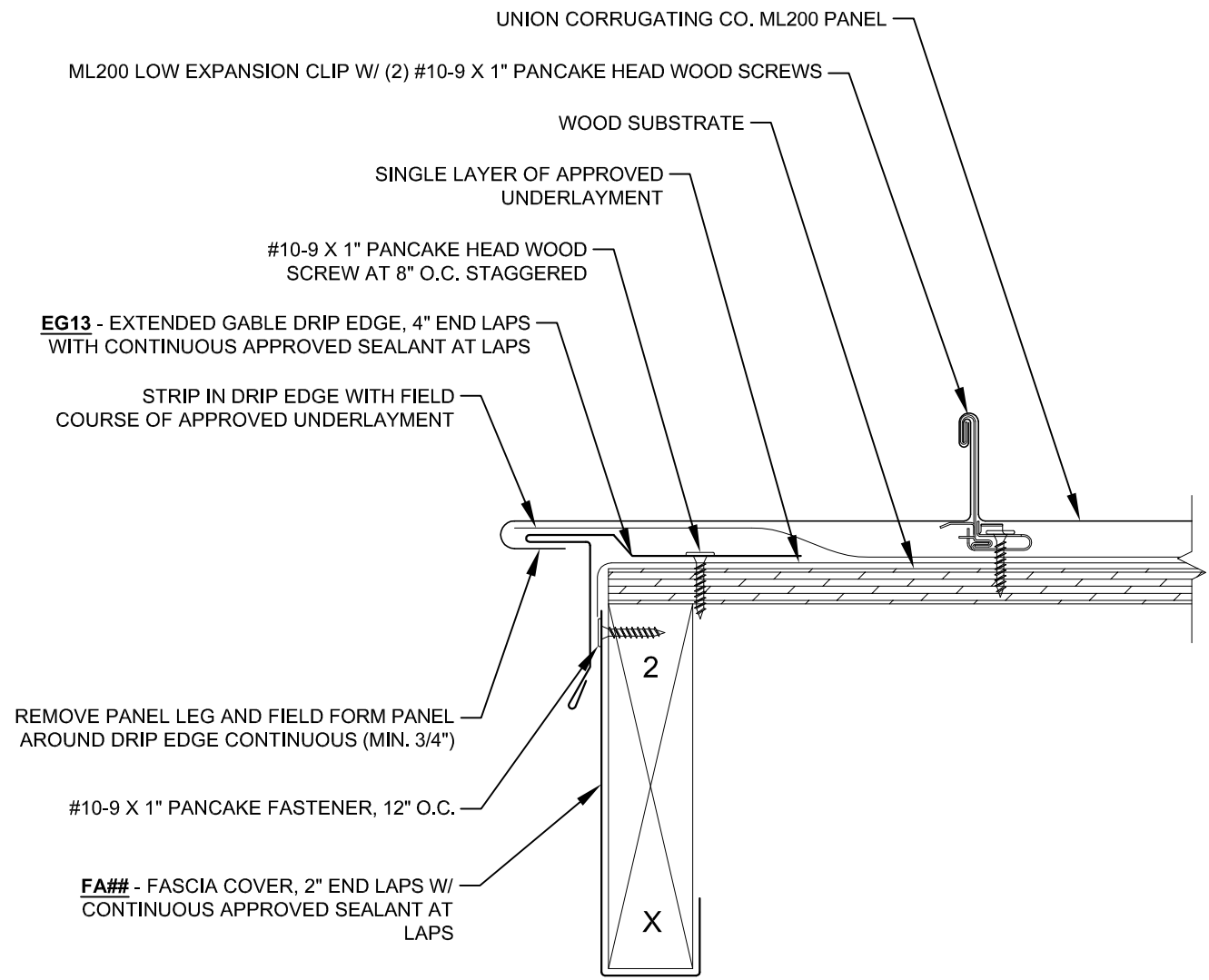


Description: **GABLE DETAIL - EXTENDED DRIP - FIXED CLIP**

Detail No.: **ML200-WS-2.10\_FX**

Substrate: **WOOD SUBSTRATE**

Project Name:  
Location:

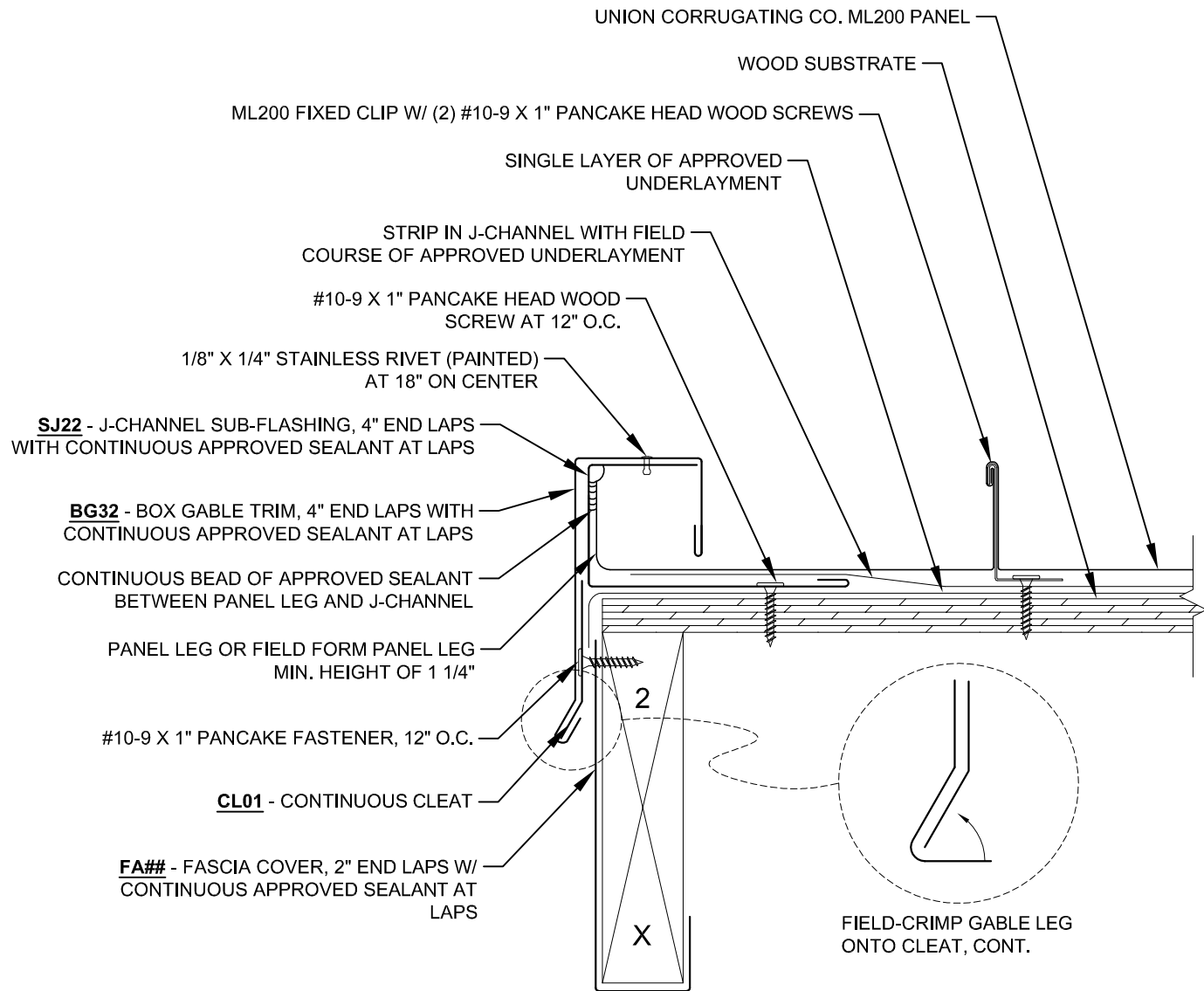


Description: **GABLE DETAIL - EXTENDED DRIP - EXPANSION CLIP**

Detail No.: **ML200-WS-2.10\_EX**

Substrate: **WOOD SUBSTRATE**

Project Name:  
Location:



Description:

# GABLE DETAIL - BOX STYLE - FIXED CLIP

Detail No.:

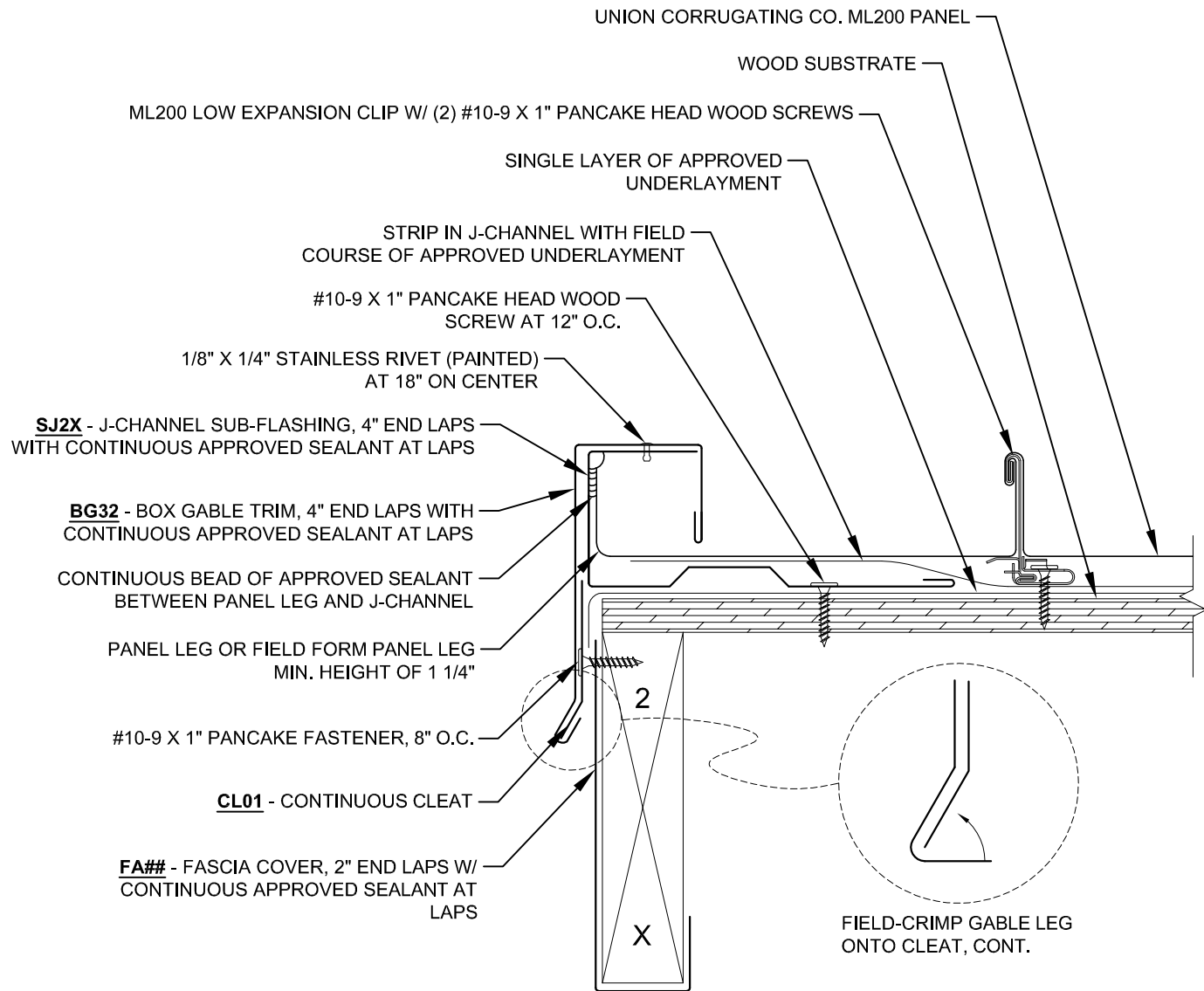
ML200-WS-2.20\_FX

Substrate:

WOOD SUBSTRATE

Project Name:

Location:

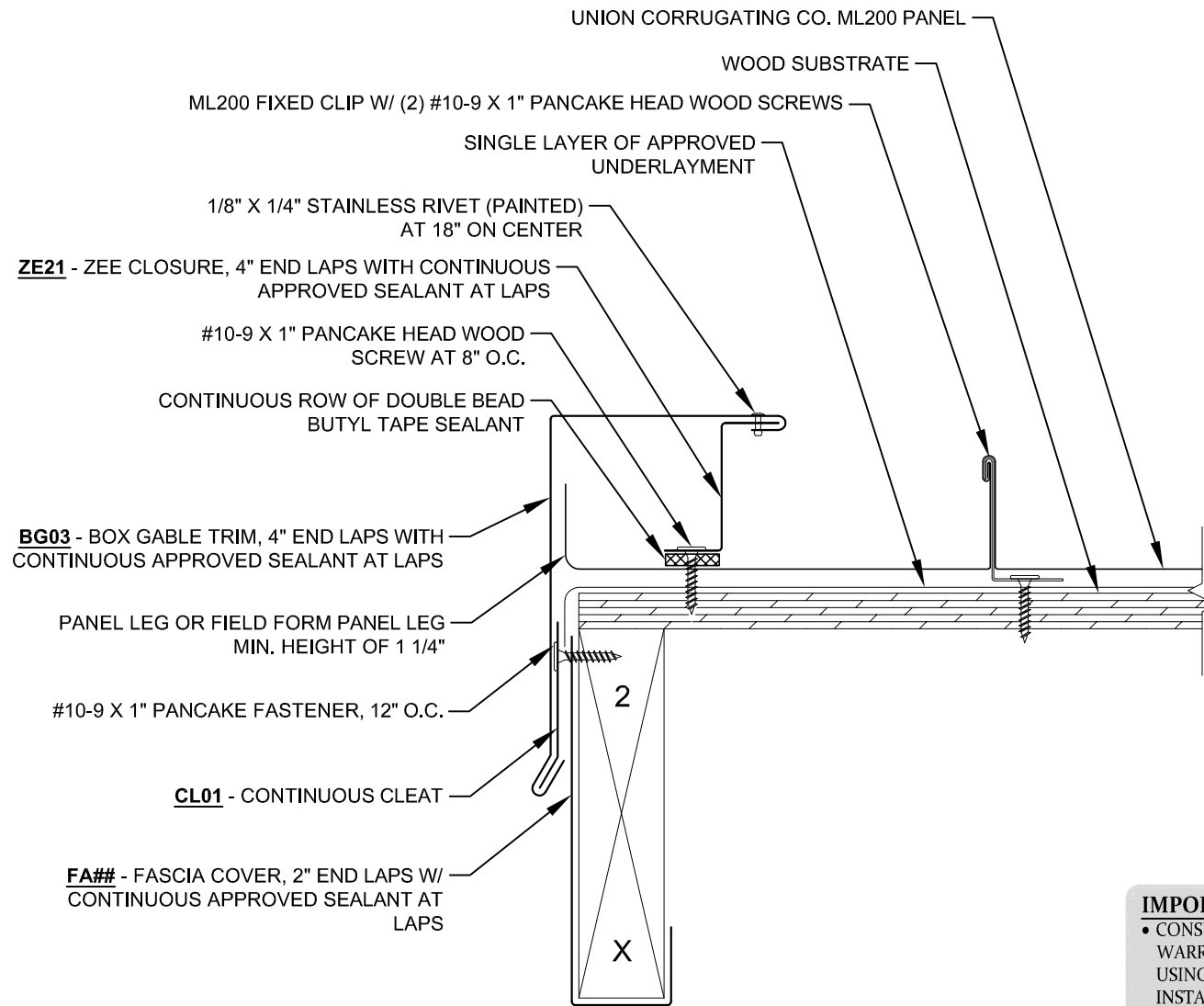


Description: **GABLE DETAIL - BOX STYLE - EXPANSION CLIP**

Detail No.: **ML200-WS-2.20\_EX**

Substrate: **WOOD SUBSTRATE**

Project Name:  
Location:



**IMPORTANT INSTALLATION NOTE**

- CONSULT UNION CORRUGATING CO. WARRANTY DEPARTMENT BEFORE USING THIS DETAIL WHEN INSTALLATION REQUIRES WEATHERTIGHTNESS WARRANTY.
- THIS DETAIL NOT TO BE USED WITH PANEL LENGTHS GREATER THAN 30'-0".



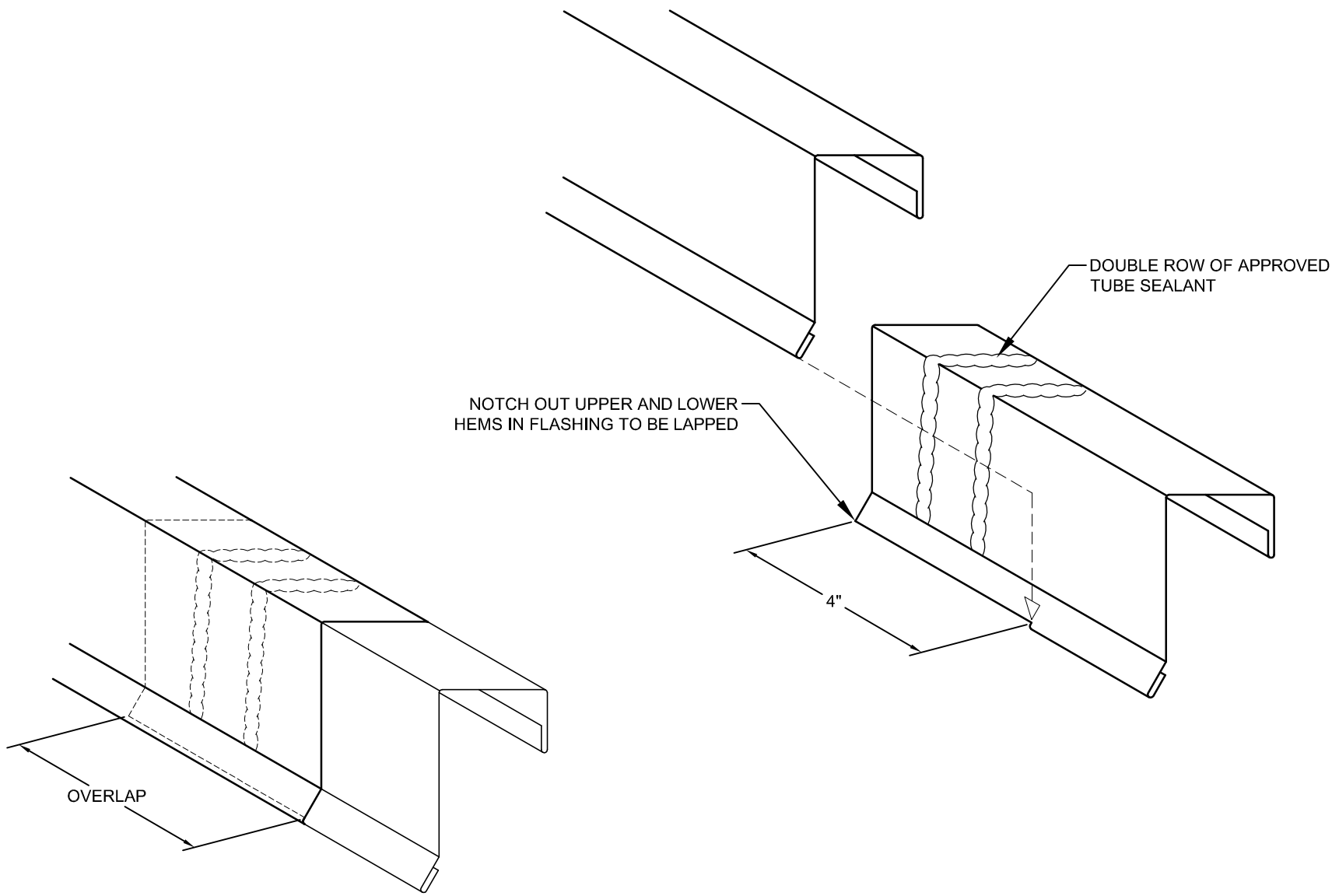
Description: **GABLE DETAIL - BOX STYLE W/ ZEE - FIXED CLIP**

Detail No.: **ML200-WS-2.30\_FX**

Substrate: **WOOD SUBSTRATE**

Project Name:  
Location:





Description:

# BOX GABLE LAP DETAIL

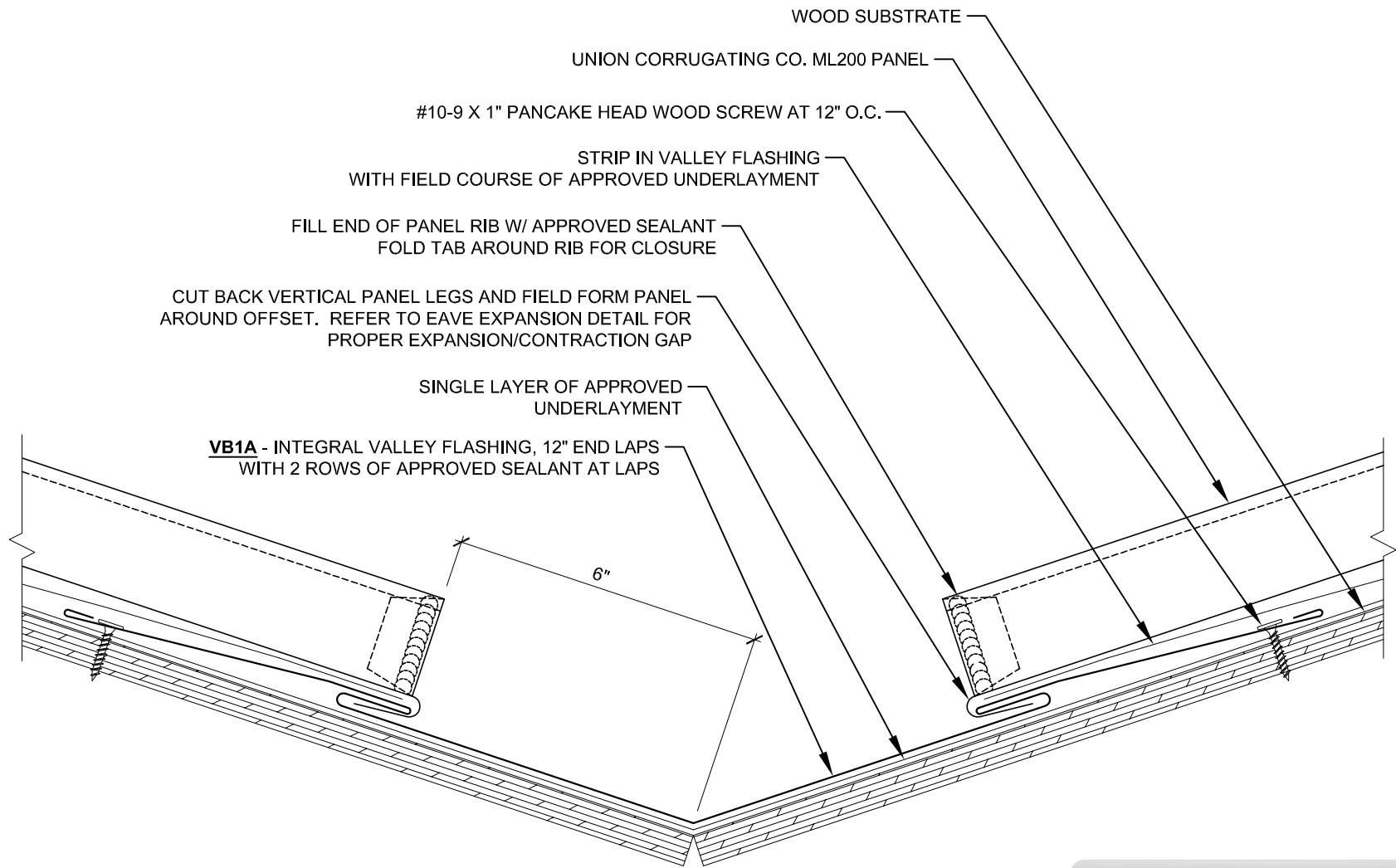
Detail No.:

ML200-2.90

Substrate:

Project Name:

Location:

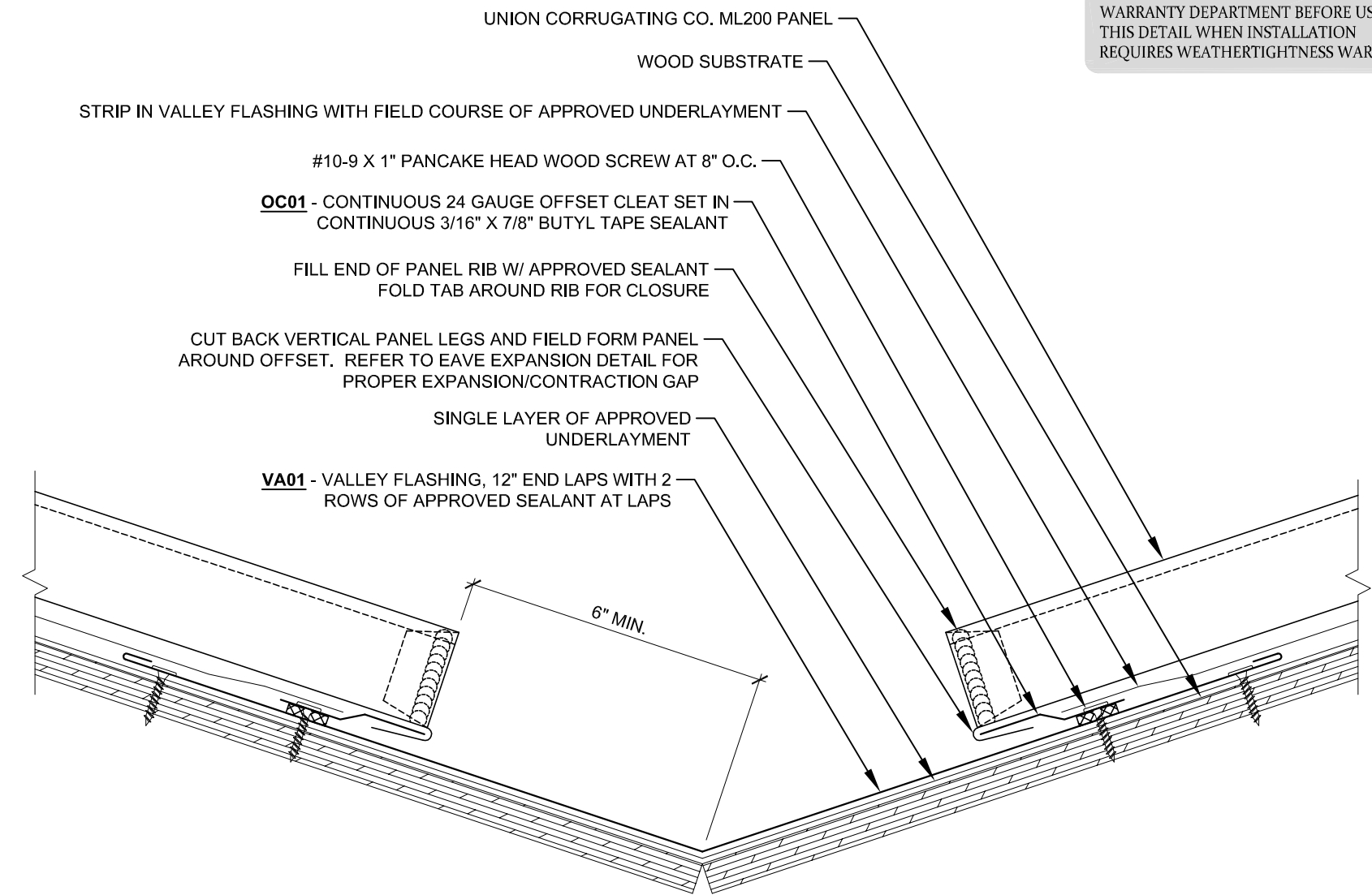


**IMPORTANT INSTALLATION NOTE**  
 EACH VALLEY SECTION IS MADE  
 PROGRESSIVELY SMALLER TO ALLOW  
 UPPER SECTION TO INSERT INTO LOWER  
 SECTION. NO FIELD NOTCHING AT LAP.



Description:	<b>VALLEY DETAIL - INTEGRAL CLEAT</b>		Detail No.: ML200-WS-3.10
	Substrate:	WOOD SUBSTRATE	

**IMPORTANT INSTALLATION NOTE**  
 CONSULT UNION CORRUGATING CO.  
 WARRANTY DEPARTMENT BEFORE USING  
 THIS DETAIL WHEN INSTALLATION  
 REQUIRES WEATHERTIGHTNESS WARRANTY.

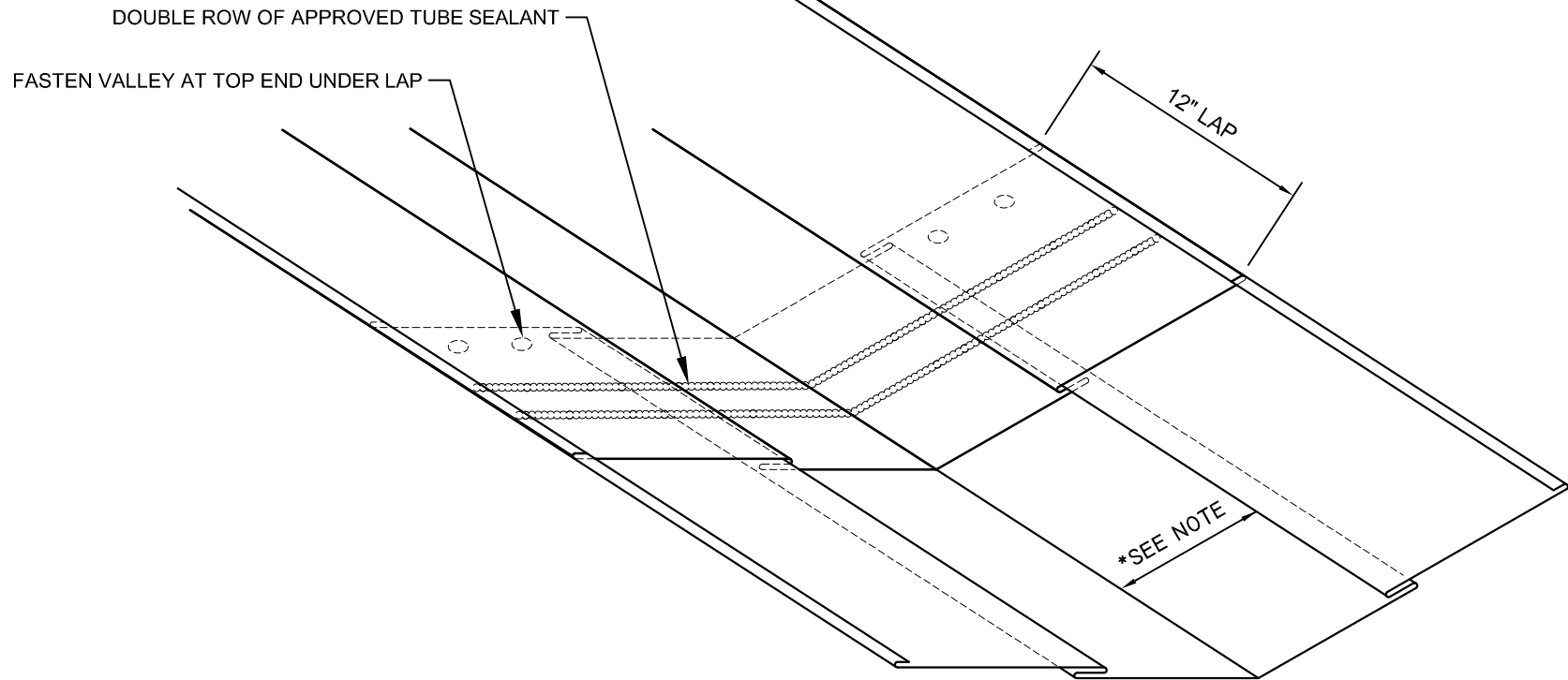


Description: **VALLEY - WITH OFFSET CLEAT**

Detail No.: **ML200-WS-3.20**

Substrate: **WOOD SUBSTRATE**

Project Name:  
 Location:



**IMPORTANT INSTALLATION NOTE**

EACH VALLEY SECTION IS MADE PROGRESSIVELY SMALLER TO ALLOW UPPER SECTION TO INSERT INTO LOWER SECTION. NO FIELD NOTCHING AT LAP.



Description:

**VALLEY LAP DETAIL**

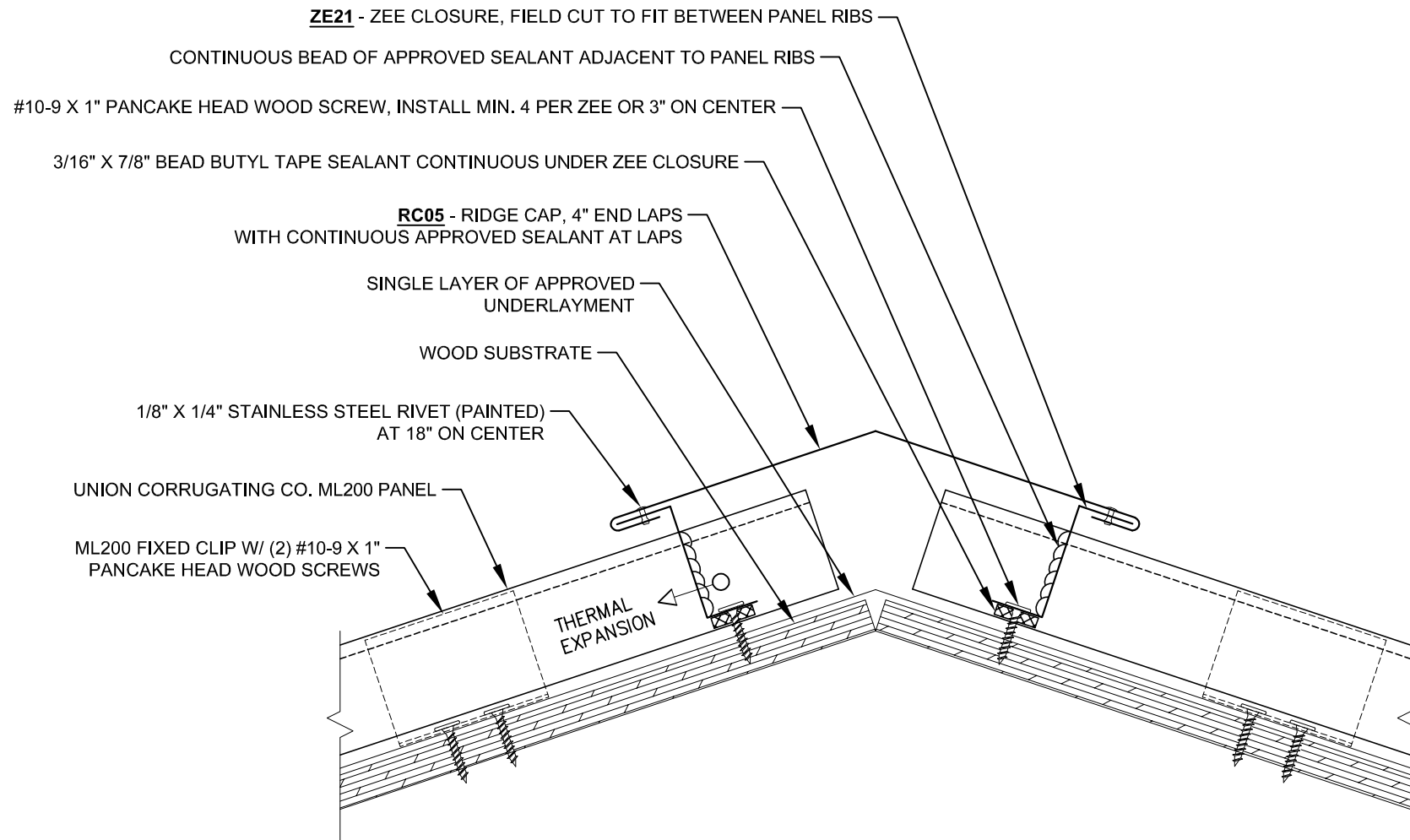
Detail No.:

ML200-3.90

Substrate:

Project Name:

Location:



Description:

# HIP AND RIDGE DETAIL - FIXED CLIP

Detail No.:

ML200-WS-4.10\_FX

Substrate:

WOOD SUBSTRATE

Project Name:

Location:

**ZE21** - ZEE CLOSURE, FIELD CUT TO FIT BETWEEN PANEL RIBS

CONTINUOUS BEAD OF APPROVED SEALANT ADJACENT TO PANEL RIBS

#10-9 X 1-1/2" PANCAKE HEAD WOOD SCREW, INSTALL MIN. 4 PER ZEE OR 3" ON CENTER

3/16" X 7/8" BEAD BUTYL TAPE SEALANT CONTINUOUS UNDER ZEE CLOSURE

**RC05** - RIDGE CAP, 4" END LAPS WITH CONTINUOUS APPROVED SEALANT AT LAPS

SINGLE LAYER OF APPROVED UNDERLAYMENT

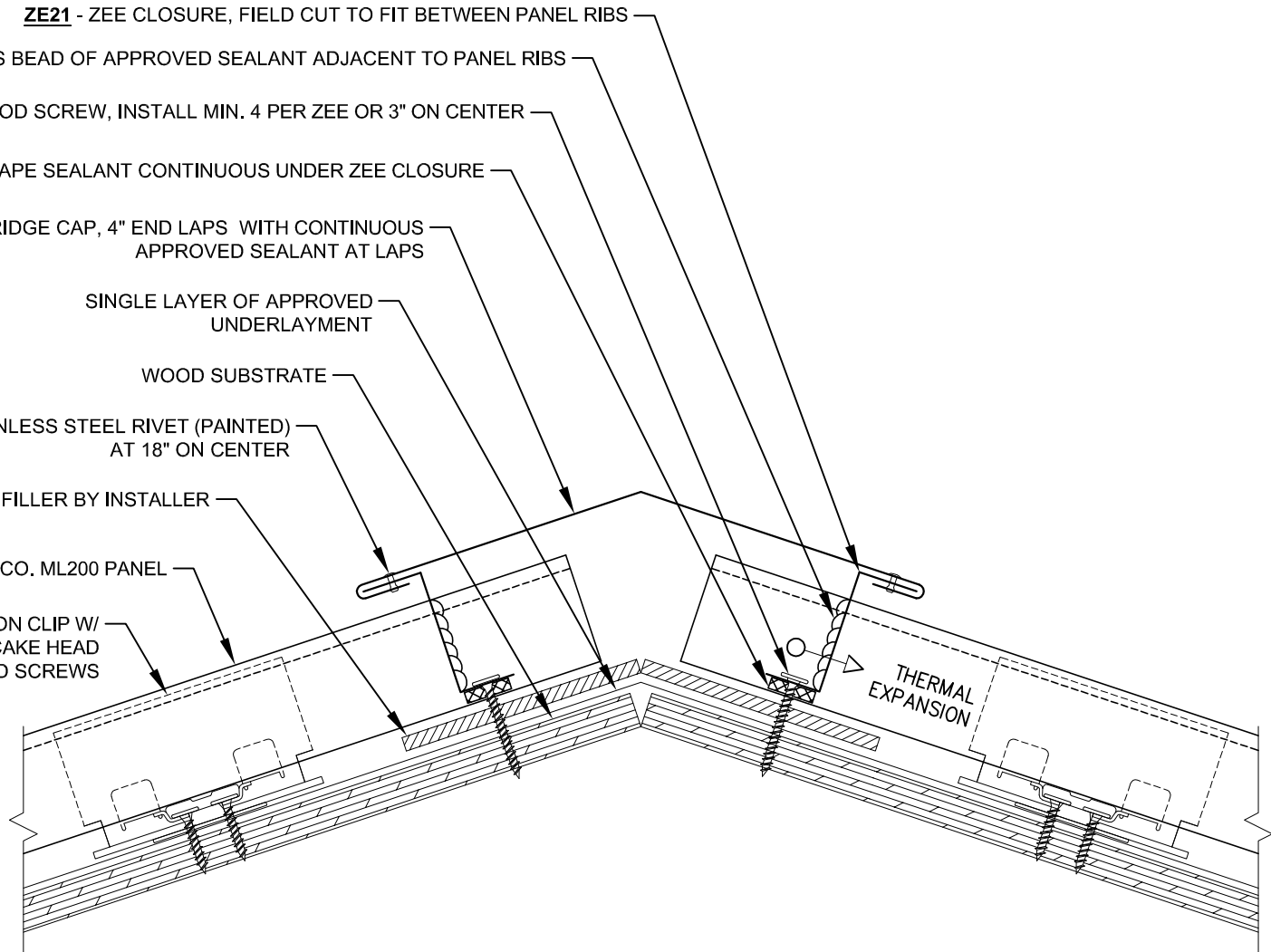
WOOD SUBSTRATE

1/8" X 1/4" STAINLESS STEEL RIVET (PAINTED) AT 18" ON CENTER

1/4" WOOD FILLER BY INSTALLER

UNION CORRUGATING CO. ML200 PANEL

ML200 LOW EXPANSION CLIP W/  
(2) #10-9 X 1" PANCAKE HEAD WOOD SCREWS



Description:

HIP AND RIDGE DETAIL - EXPANSION CLIP

Detail No.:

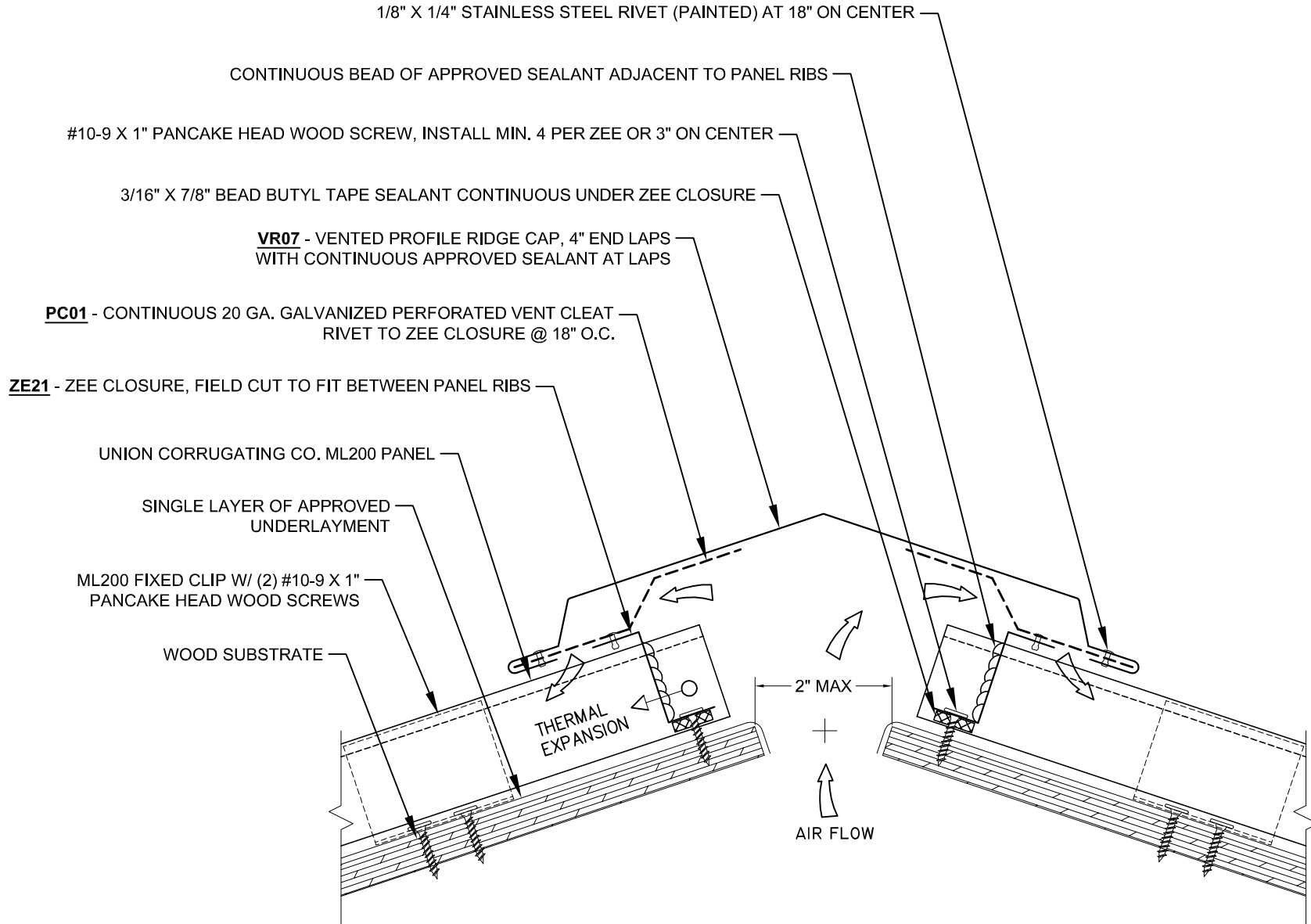
ML200-WS-4.10\_EX

Substrate:

WOOD SUBSTRATE

Project Name:

Location:



Description:

# VENTED RIDGE DETAIL - FIXED CLIP

Detail No.:

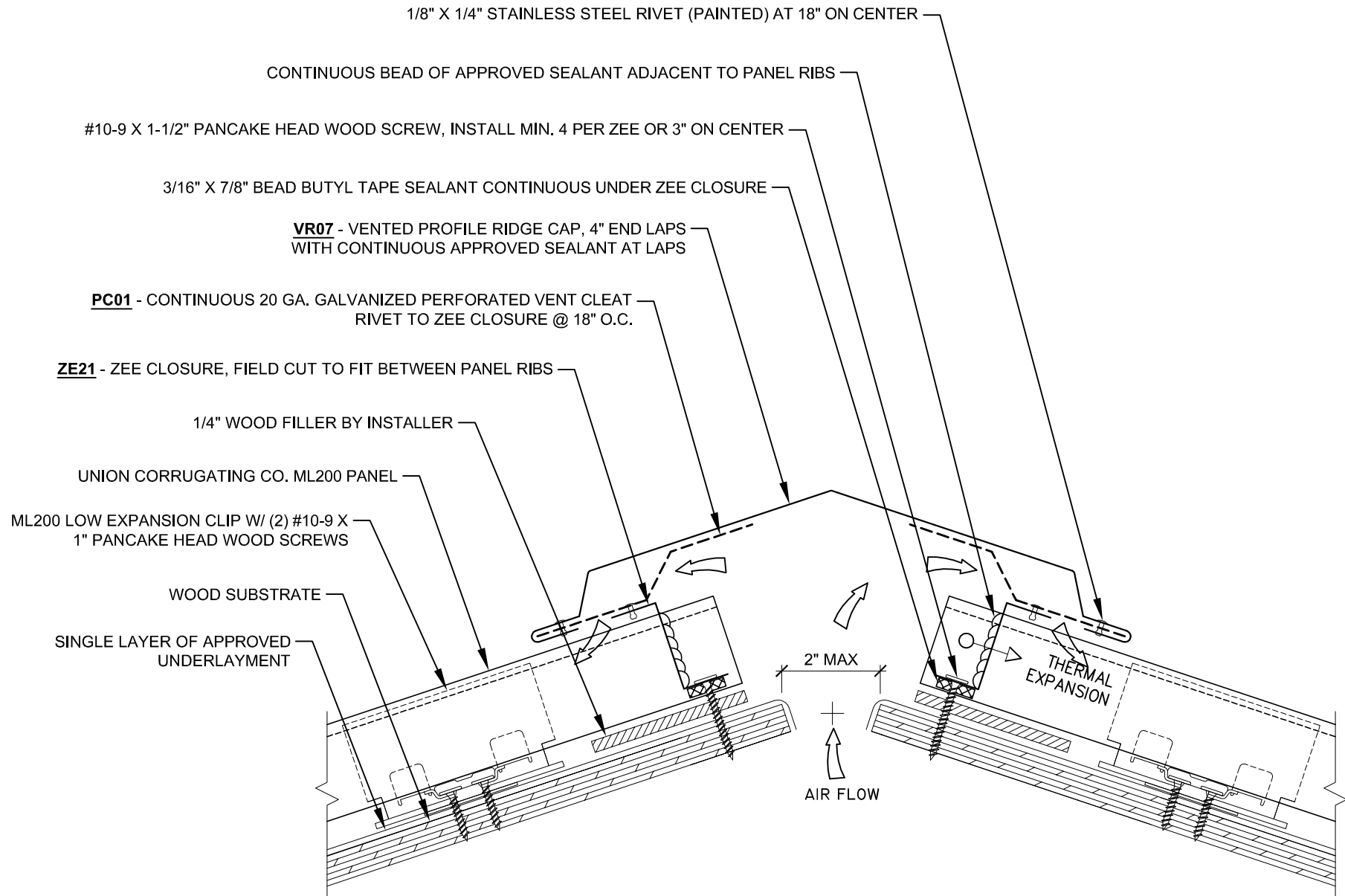
ML200-WS-4.20\_FX

Substrate:

WOOD SUBSTRATE

Project Name:

Location:



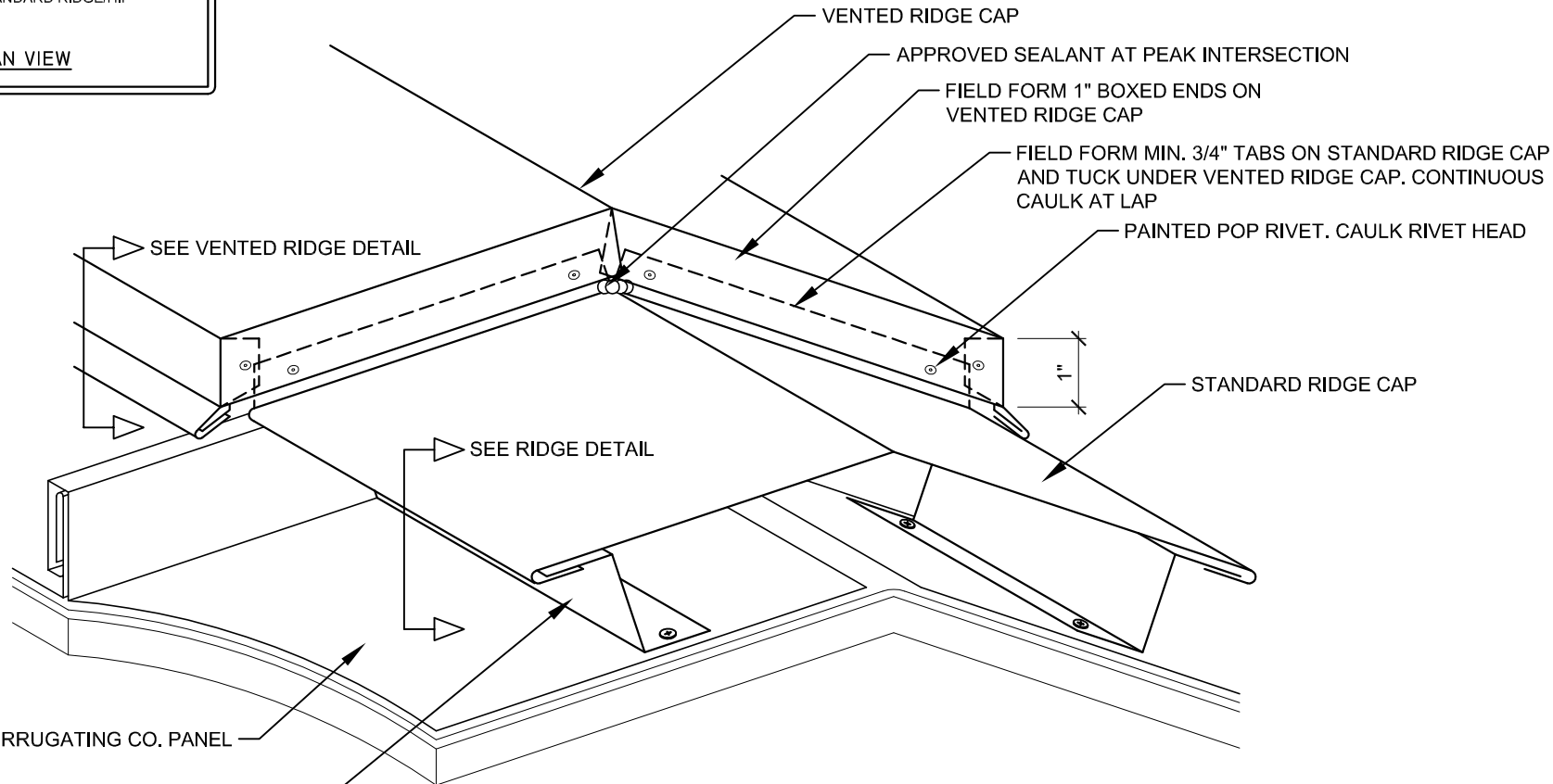
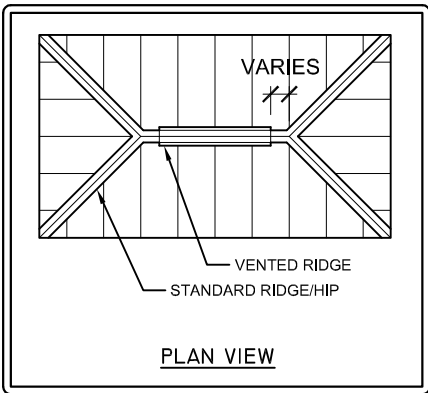
Description: **VENTED RIDGE DETAIL - EXPANSION CLIP**

Detail No.: **ML200-WS-4.20\_EX**

Substrate: **WOOD SUBSTRATE**

Project Name:  
Location:





ZEE CLOSURE SET IN CONTINUOUS BEAD OF SEALANT, CUT TO FIT BETWEEN PANEL RIBS

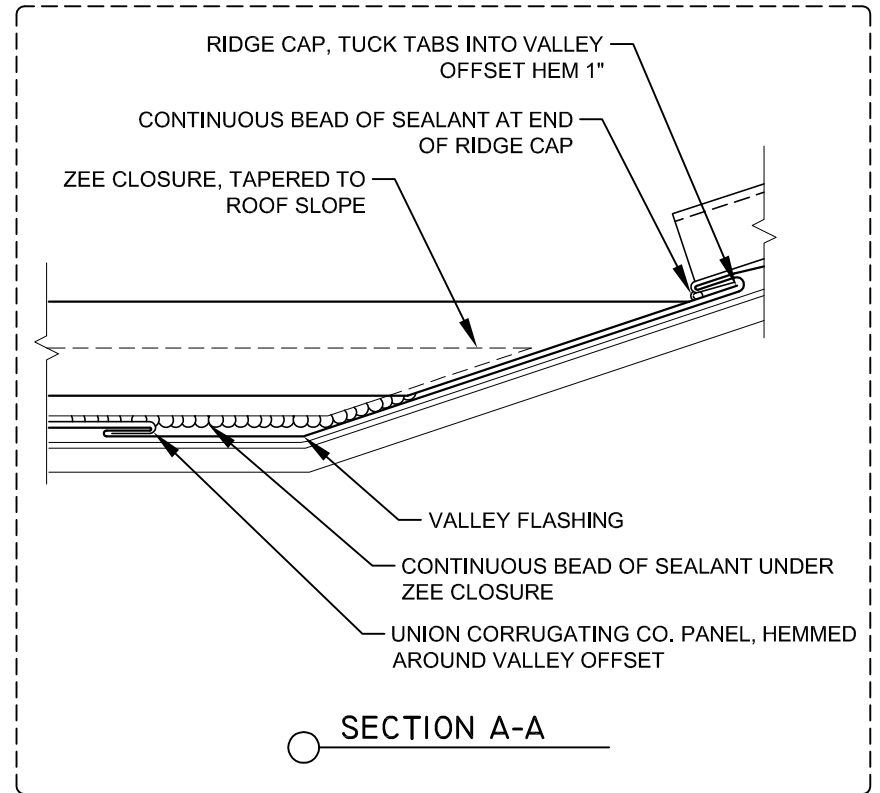
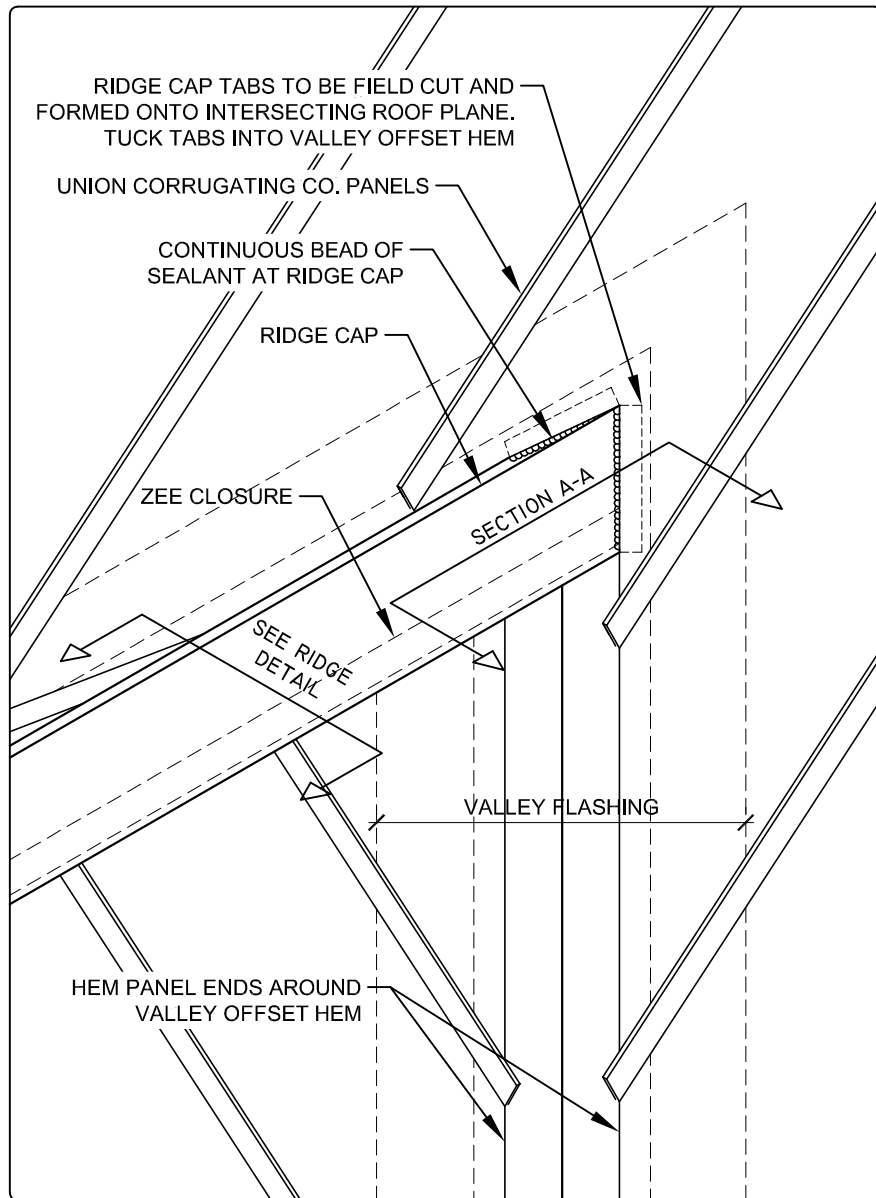


Description: **STANDARD TO VENTED RIDGE TRANSITION**

Detail No.: ML200-4.30

Substrate:

Project Name:  
Location:



Description:

# RIDGE TERMINATION @ VALLEY

Detail No.:

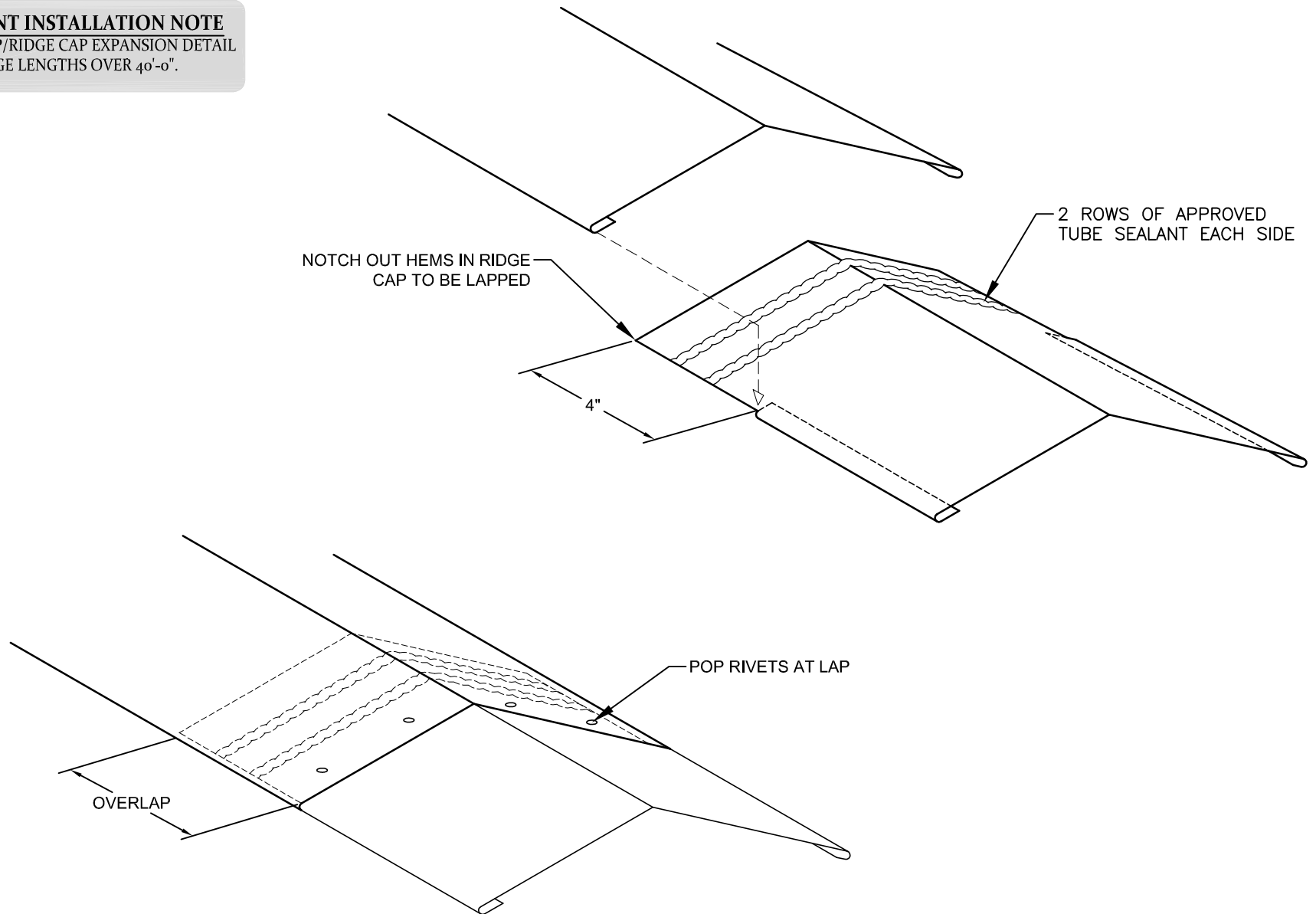
ML200-4.40

Substrate:

Project Name:

Location:

**IMPORTANT INSTALLATION NOTE**  
REFER TO HIP/RIDGE CAP EXPANSION DETAIL  
FOR HIP/RIDGE LENGTHS OVER 40'-0".



Description:

# HIP & RIDGE CAP LAP DETAIL

Detail No.:

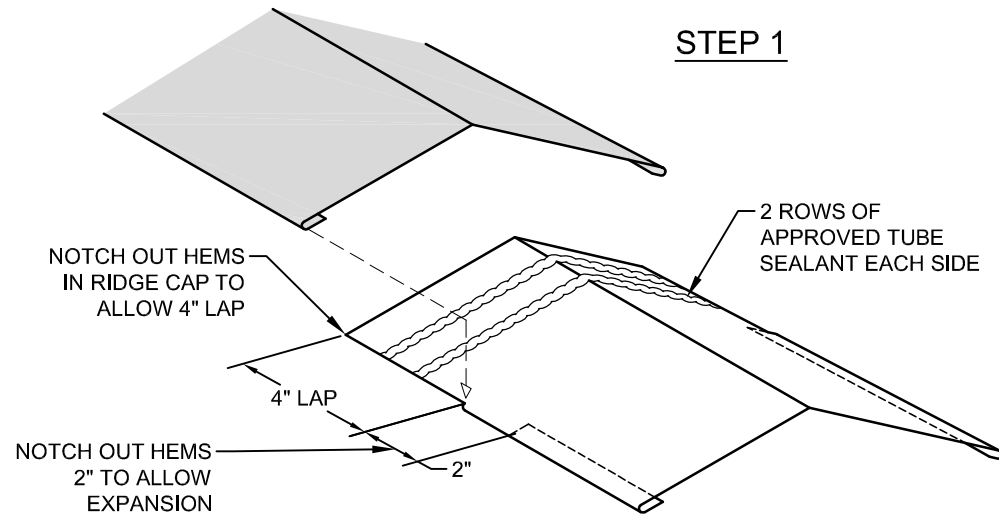
ML200-4.90

Substrate:

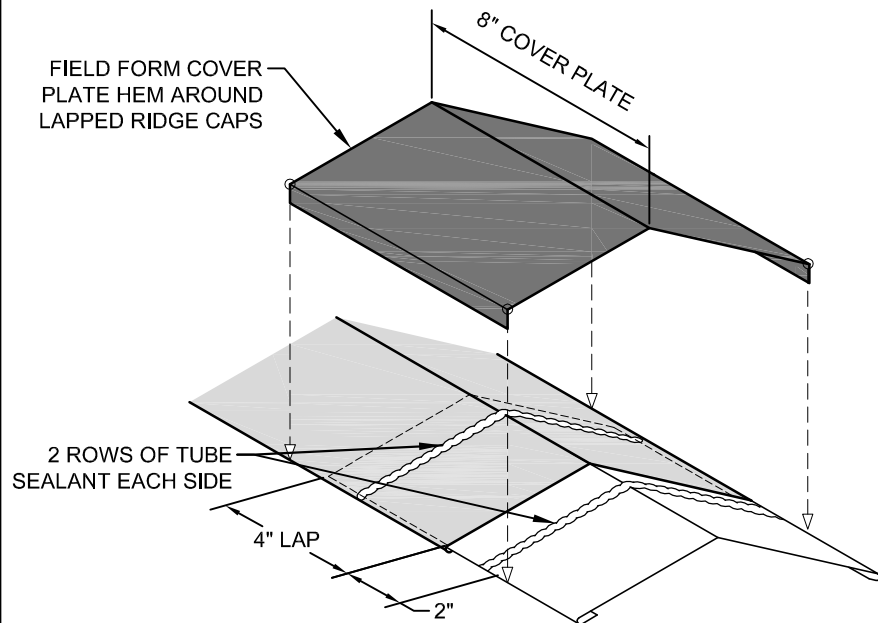
Project Name:

Location:

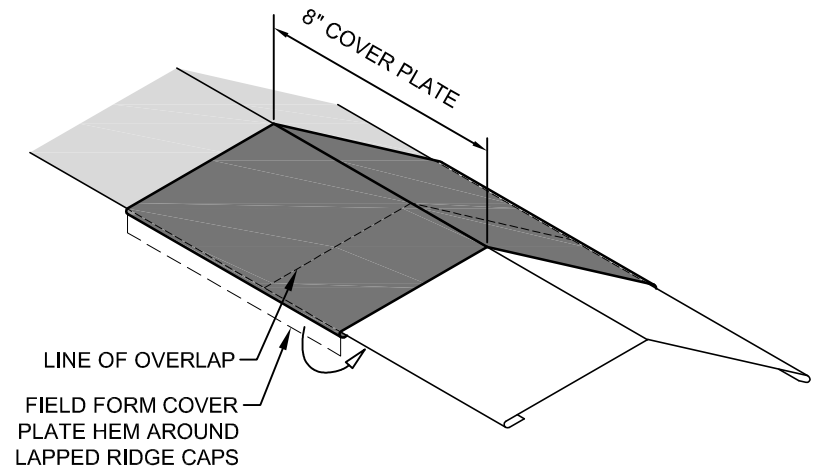
### STEP 1



**IMPORTANT INSTALLATION NOTE**  
USE AT EVERY 40'0" OF CONTINUOUS RIDGE.  
DO NOT POP RIVET LAPPED FLASHING.



### STEP 2



### STEP 3



Description:

## HIP & RIDGE CAP EXPANSION

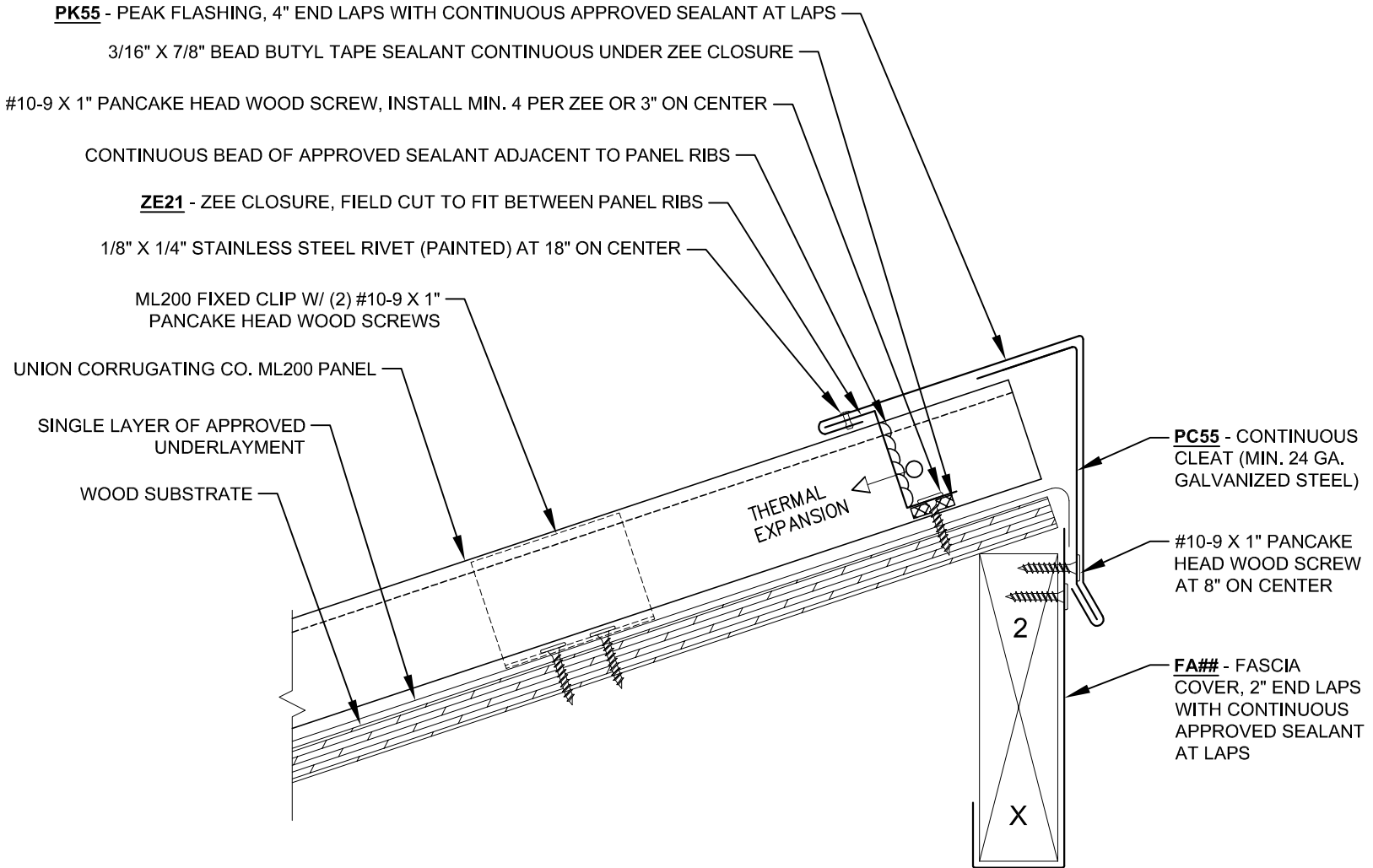
Detail No.:

ML200-4.91

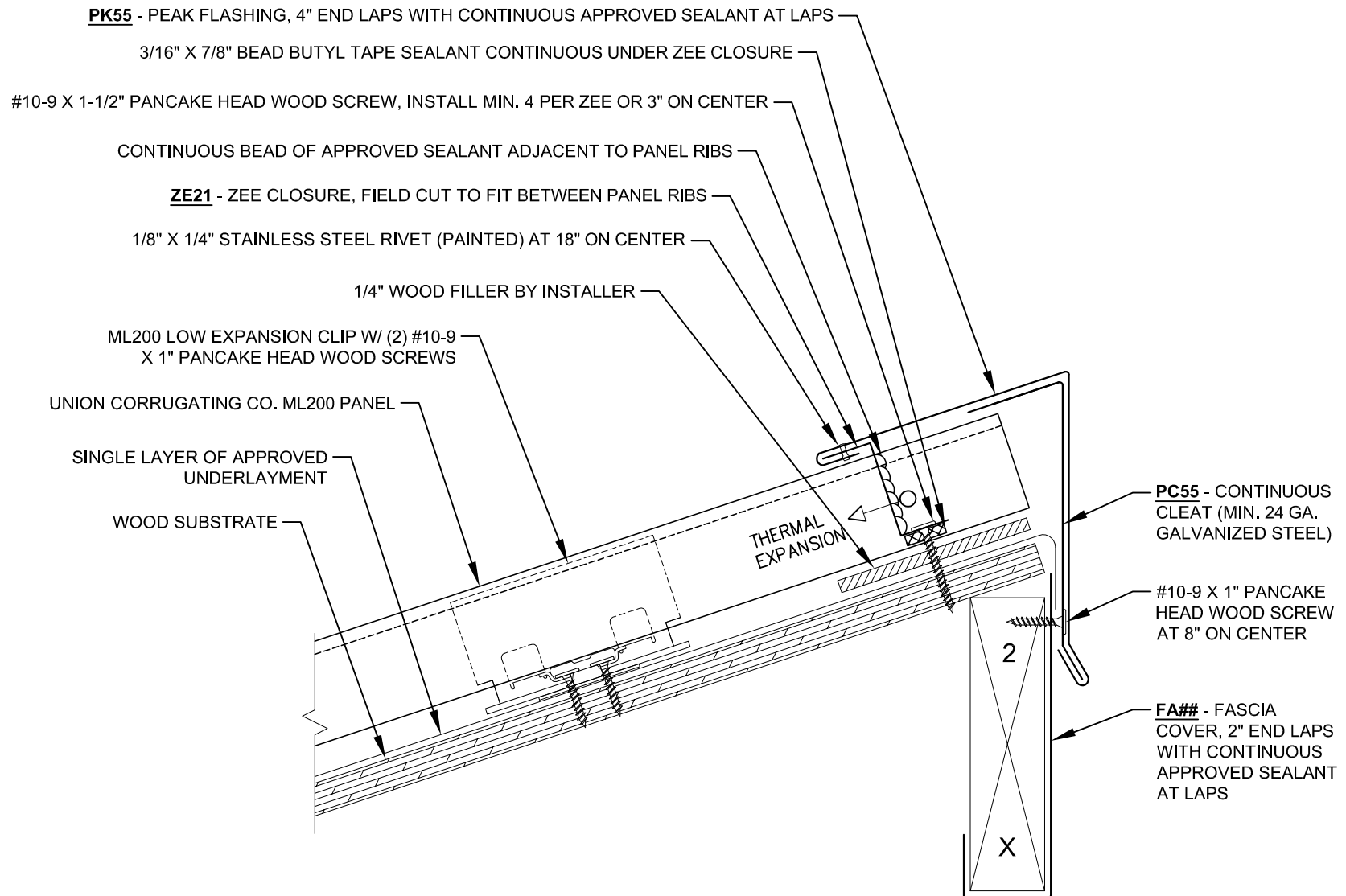
Substrate:

Project Name:

Location:



Description:	<b>PEAK DETAIL - FIXED CLIP</b>		Detail No.:
	WOOD SUBSTRATE		
Substrate:			Project Name:
			Location:



Description:

## PEAK DETAIL - EXPANSION CLIP

Detail No.:

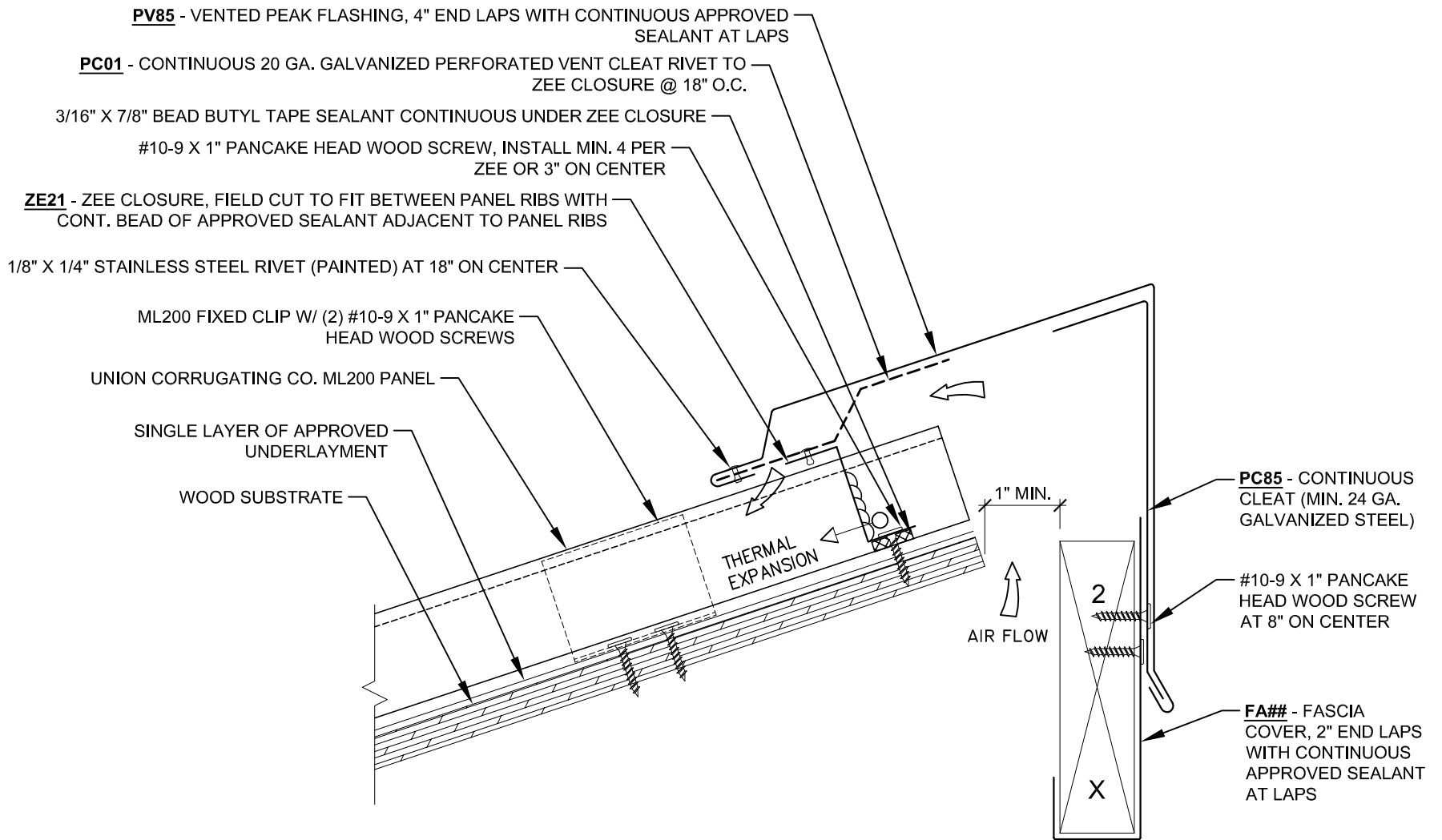
ML200-WS-5.10\_EX

Substrate:

WOOD SUBSTRATE

Project Name:

Location:



Description:

# VENTED PEAK DETAIL - FIXED CLIP

Detail No.:

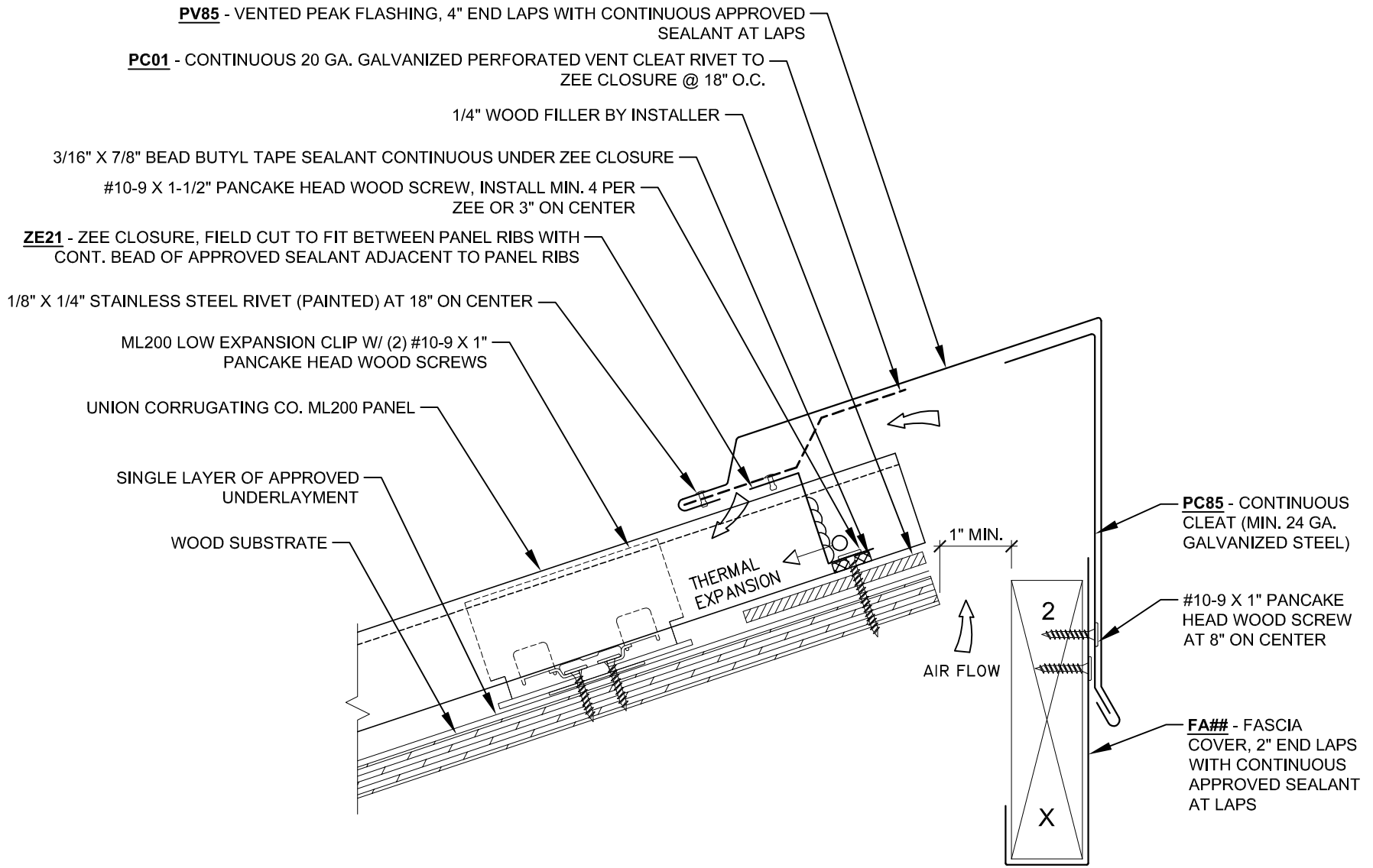
ML200-WS-5.20\_FX

Substrate:

WOOD SUBSTRATE

Project Name:

Location:



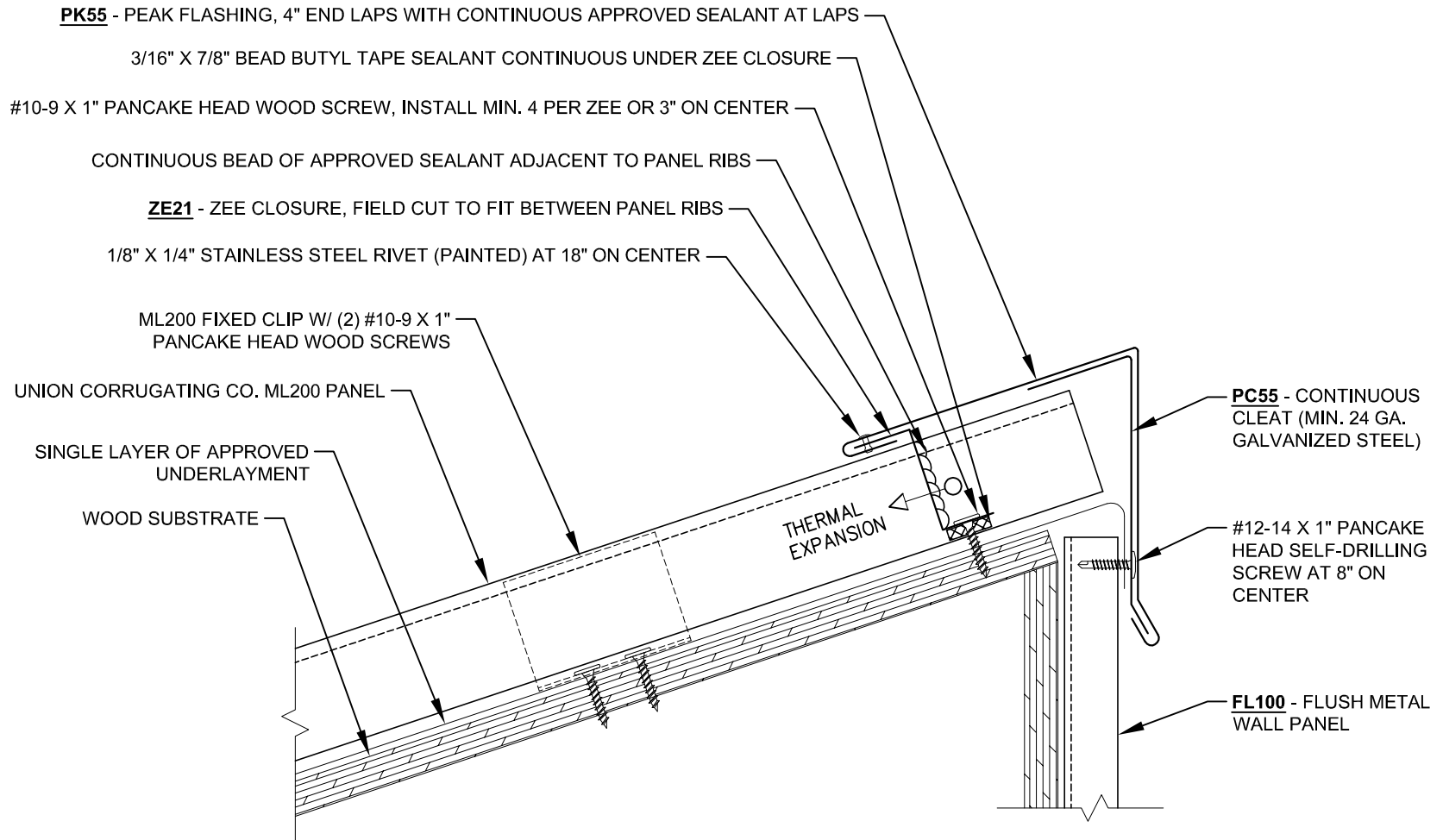
Description: **VENTED PEAK DETAIL - EXPANSION CLIP**

Substrate: **WOOD SUBSTRATE**

Detail No.: **ML200-WS-5.20\_EX**

Project Name:  
Location:



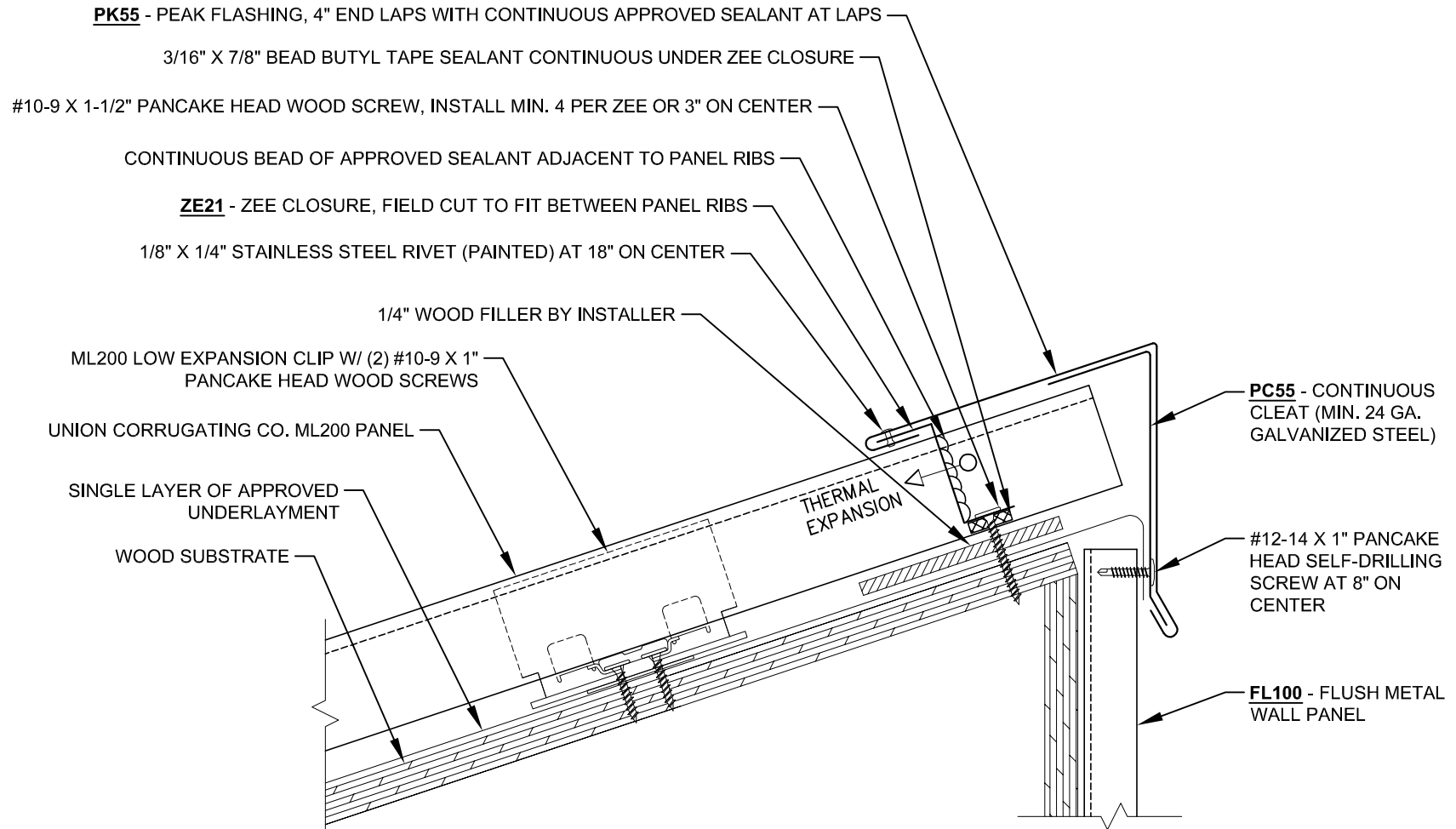


Description: **PEAK DETAIL - W/ WALL PANELS - FIXED CLIP**

Detail No.:  
ML200-WS-5.40\_FX

Substrate:  
**WOOD SUBSTRATE**

Project Name:  
Location:

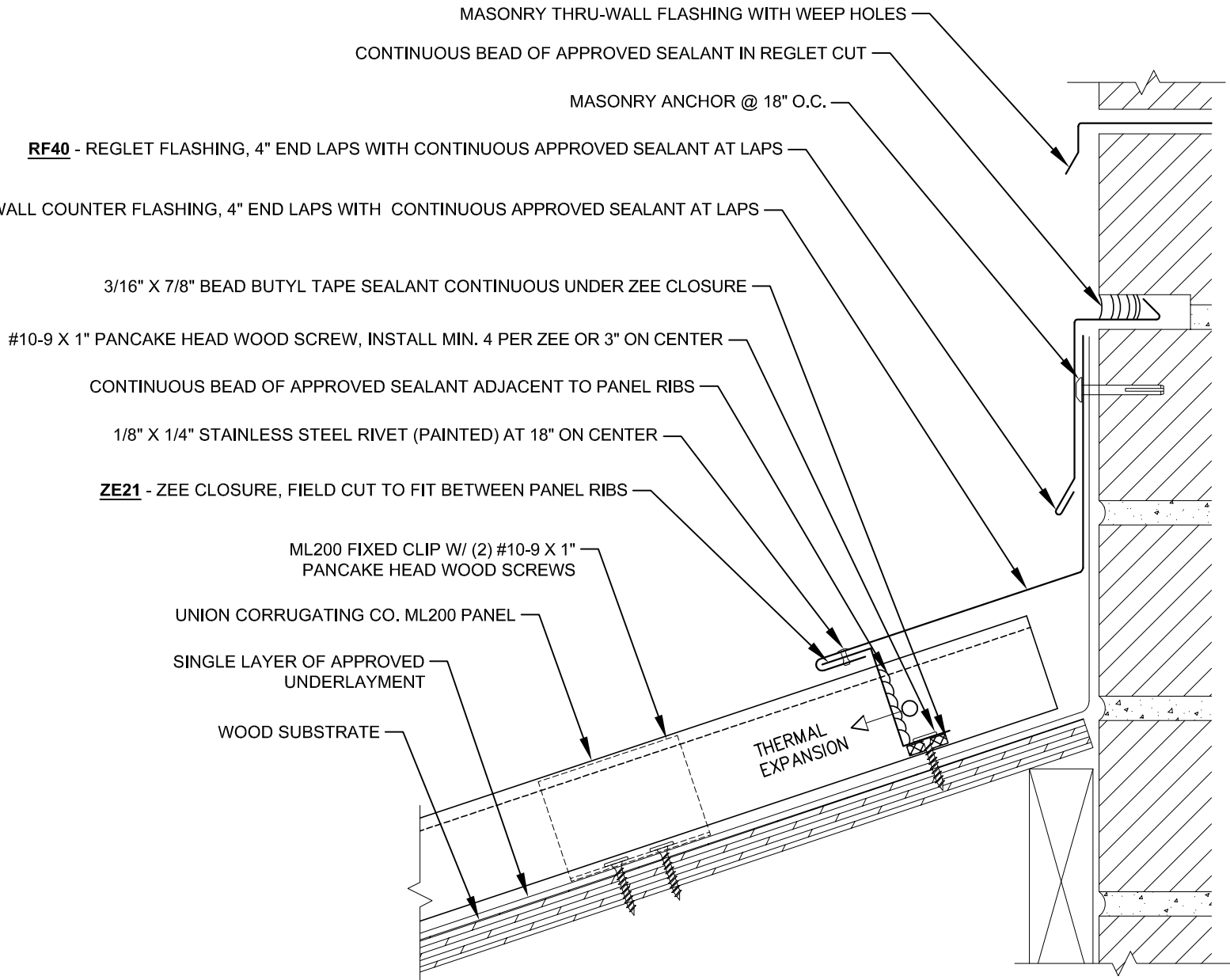


Description: **PEAK DETAIL - W/ WALL PANELS - EXPANSION CLIP**

Detail No.: **ML200-WS-5.40\_EX**

Substrate: **WOOD SUBSTRATE**

Project Name:  
Location:



**RF40** - REGLET FLASHING, 4" END LAPS WITH CONTINUOUS APPROVED SEALANT AT LAPS

**HW02** - HIGHWALL COUNTER FLASHING, 4" END LAPS WITH CONTINUOUS APPROVED SEALANT AT LAPS

3/16" X 7/8" BEAD BUTYL TAPE SEALANT CONTINUOUS UNDER ZEE CLOSURE

#10-9 X 1" PANCAKE HEAD WOOD SCREW, INSTALL MIN. 4 PER ZEE OR 3" ON CENTER

CONTINUOUS BEAD OF APPROVED SEALANT ADJACENT TO PANEL RIBS

1/8" X 1/4" STAINLESS STEEL RIVET (PAINTED) AT 18" ON CENTER

**ZE21** - ZEE CLOSURE, FIELD CUT TO FIT BETWEEN PANEL RIBS

ML200 FIXED CLIP W/ (2) #10-9 X 1" PANCAKE HEAD WOOD SCREWS

UNION CORRUGATING CO. ML200 PANEL

SINGLE LAYER OF APPROVED UNDERLAYMENT

WOOD SUBSTRATE

THERMAL EXPANSION

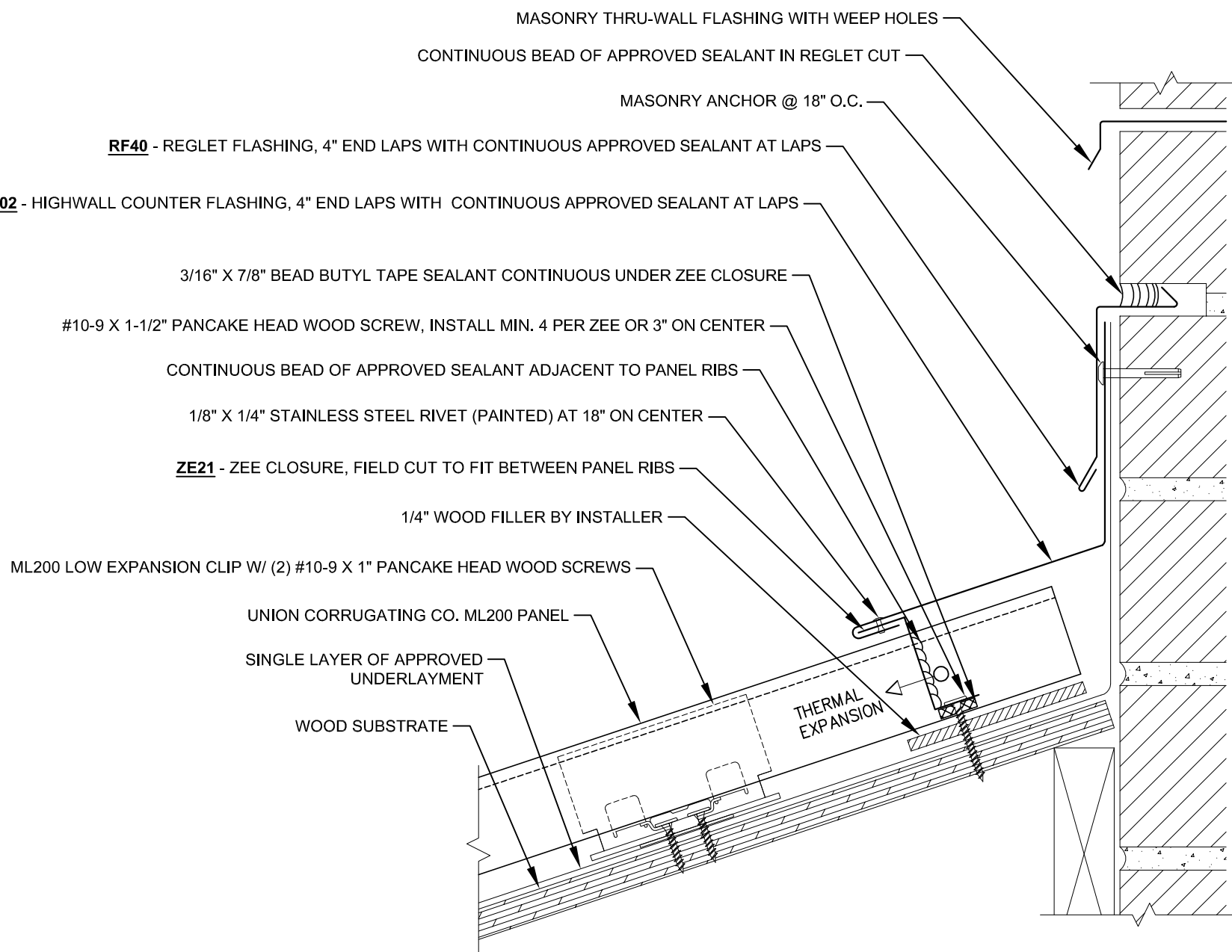


Description: **HIGH WALL DETAIL - REGLET - FIXED CLIP**

Detail No.: **ML200-WS-6.10\_FX**

Substrate: **WOOD SUBSTRATE**

Project Name:  
Location:

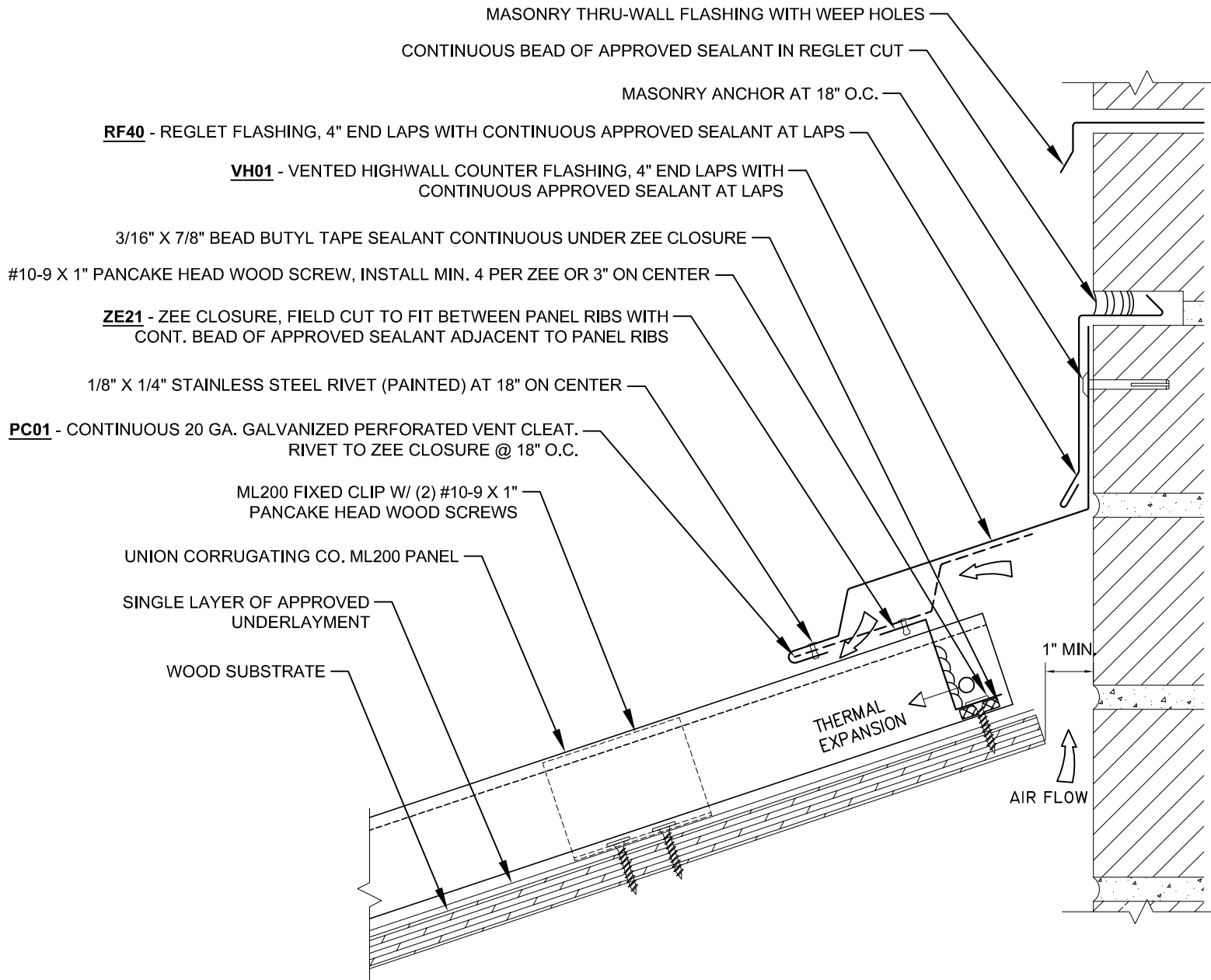


Description: **HIGH WALL DETAIL - REGLET - EXPANSION CLIP**

Detail No.: **ML200-WS-6.10\_EX**

Substrate: **WOOD SUBSTRATE**

Project Name:  
Location:

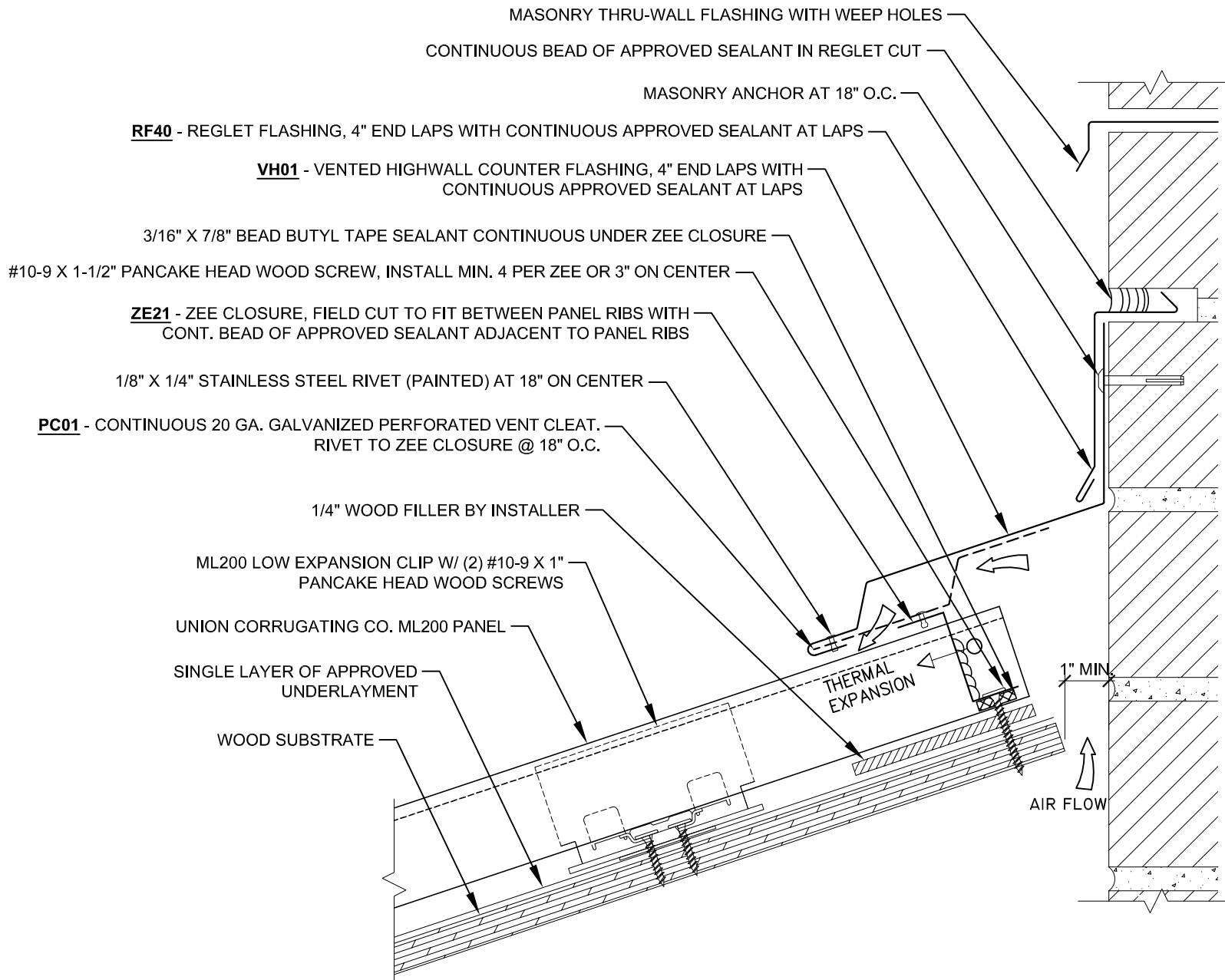


Description: **VENTED HIGH WALL DETAIL - REGLET - FIXED CLIP**

Detail No.: **ML200-WS-6.11\_FX**

Substrate: **WOOD SUBSTRATE**

Project Name:  
Location:

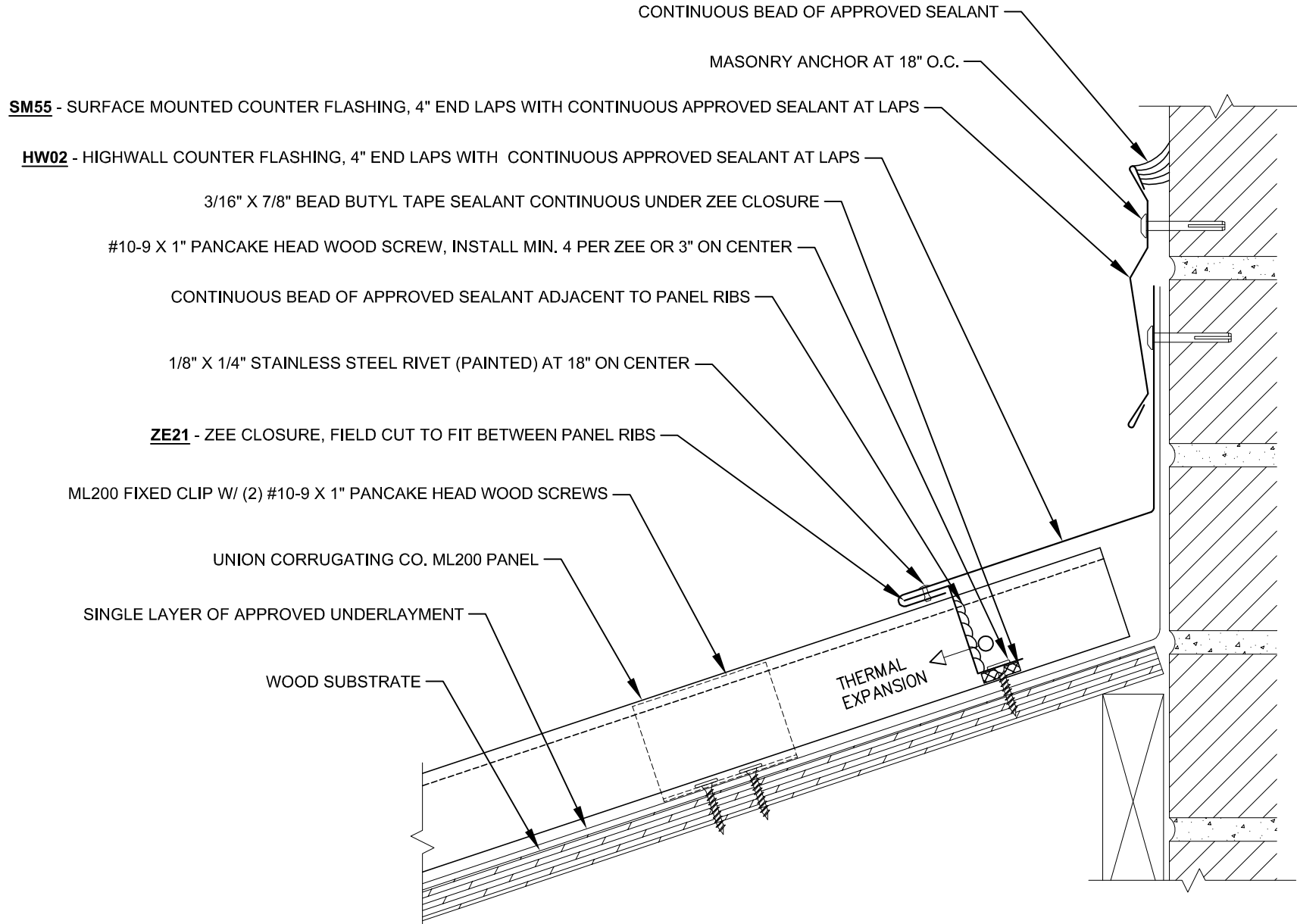


Description: **VENTED HIGH WALL DETAIL - REGLET - EXPANSION CLIP**

Detail No.: **ML200-WS-6.11\_EX**

Substrate: **WOOD SUBSTRATE**

Project Name:  
Location:

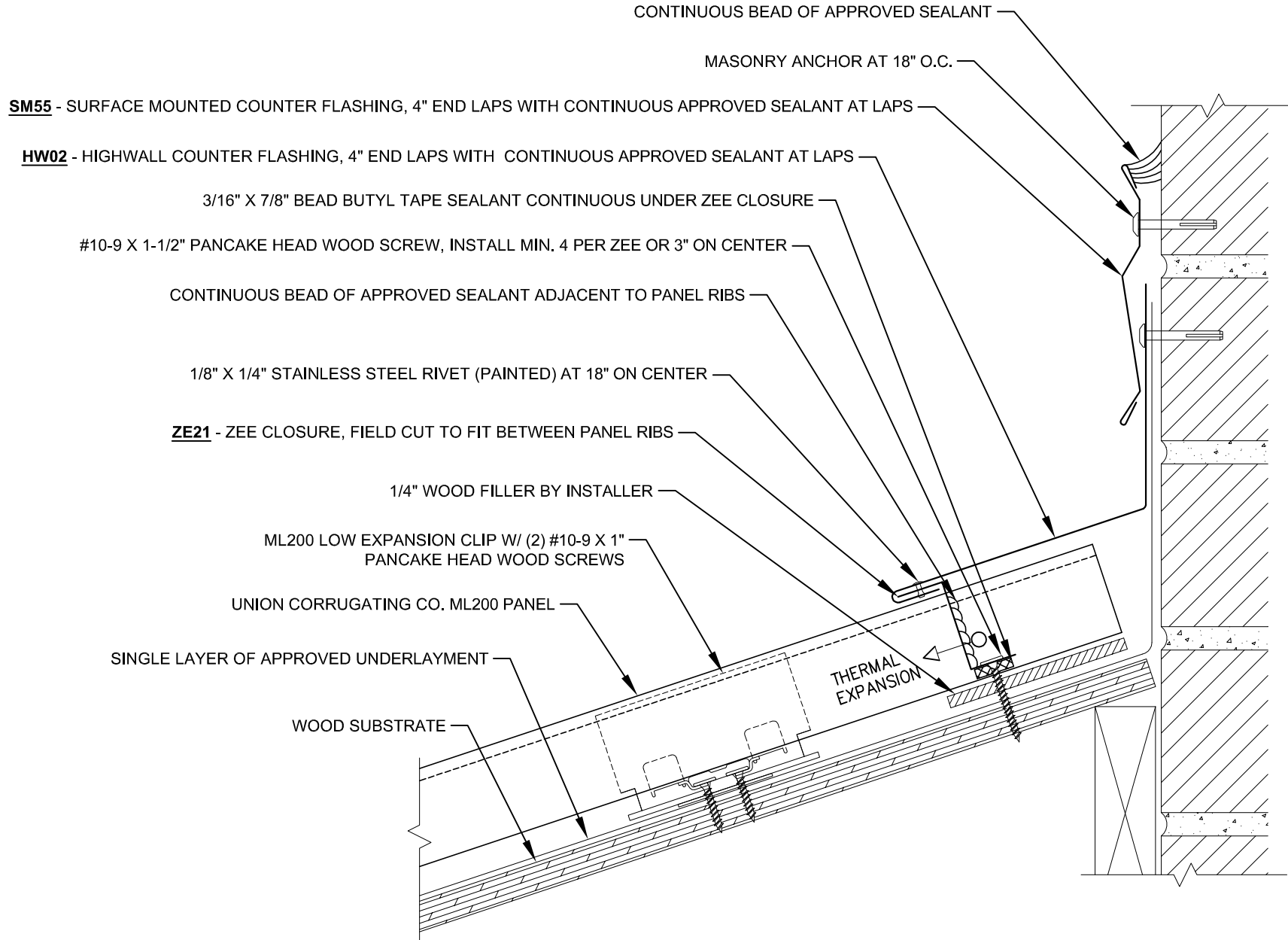


Description: **HIGH WALL DETAIL - SURFACE MOUNTED - FIXED CLIP**

Substrate: **WOOD SUBSTRATE**

Detail No.: **ML200-WS-6.12\_FX**

Project Name:  
Location:



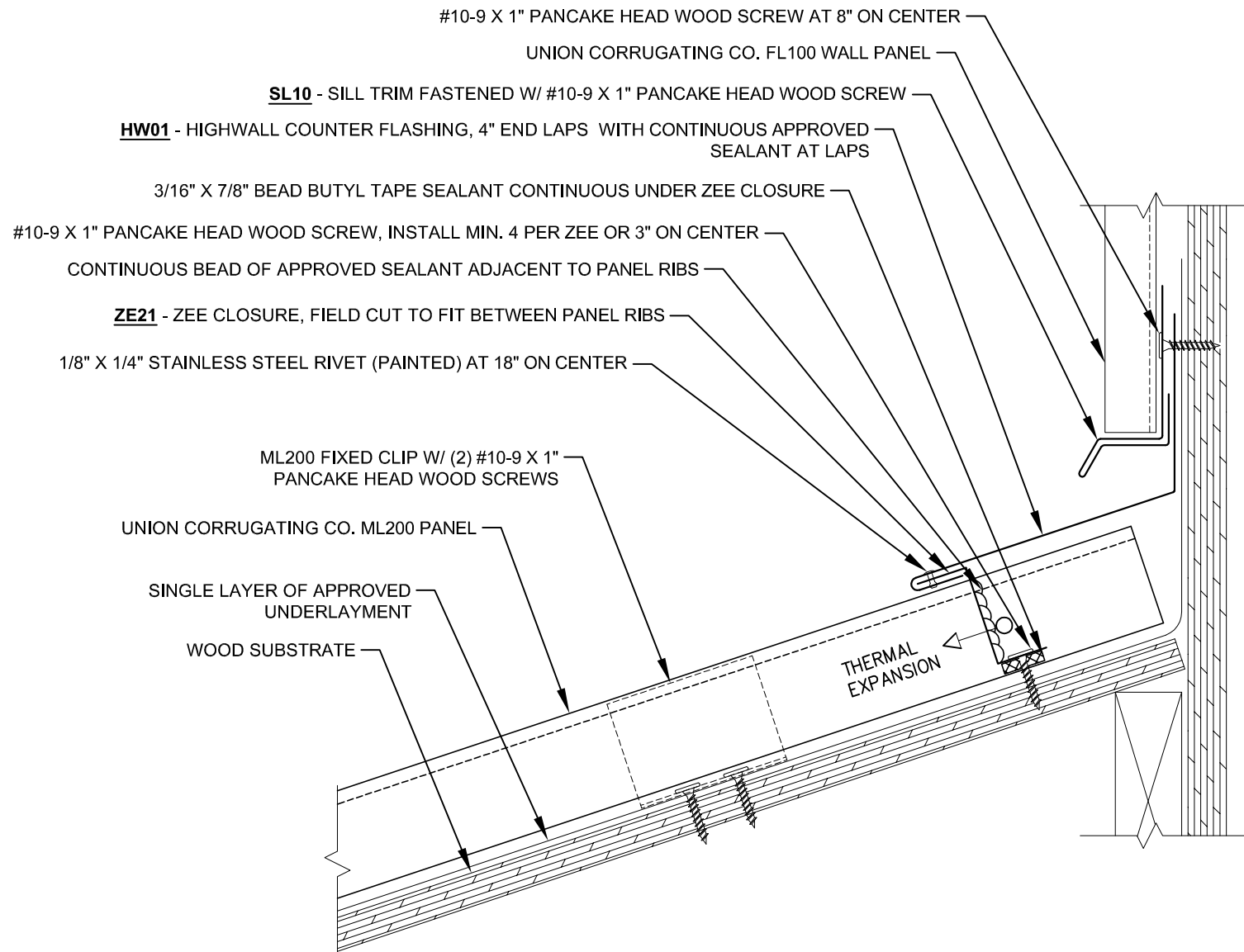
Description: **HIGH WALL DETAIL - SURFACE MOUNTED - EXPANSION CLIP**

Substrate: **WOOD SUBSTRATE**

Detail No.: **ML200-WS-6.12\_EX**

Project Name:  
Location:



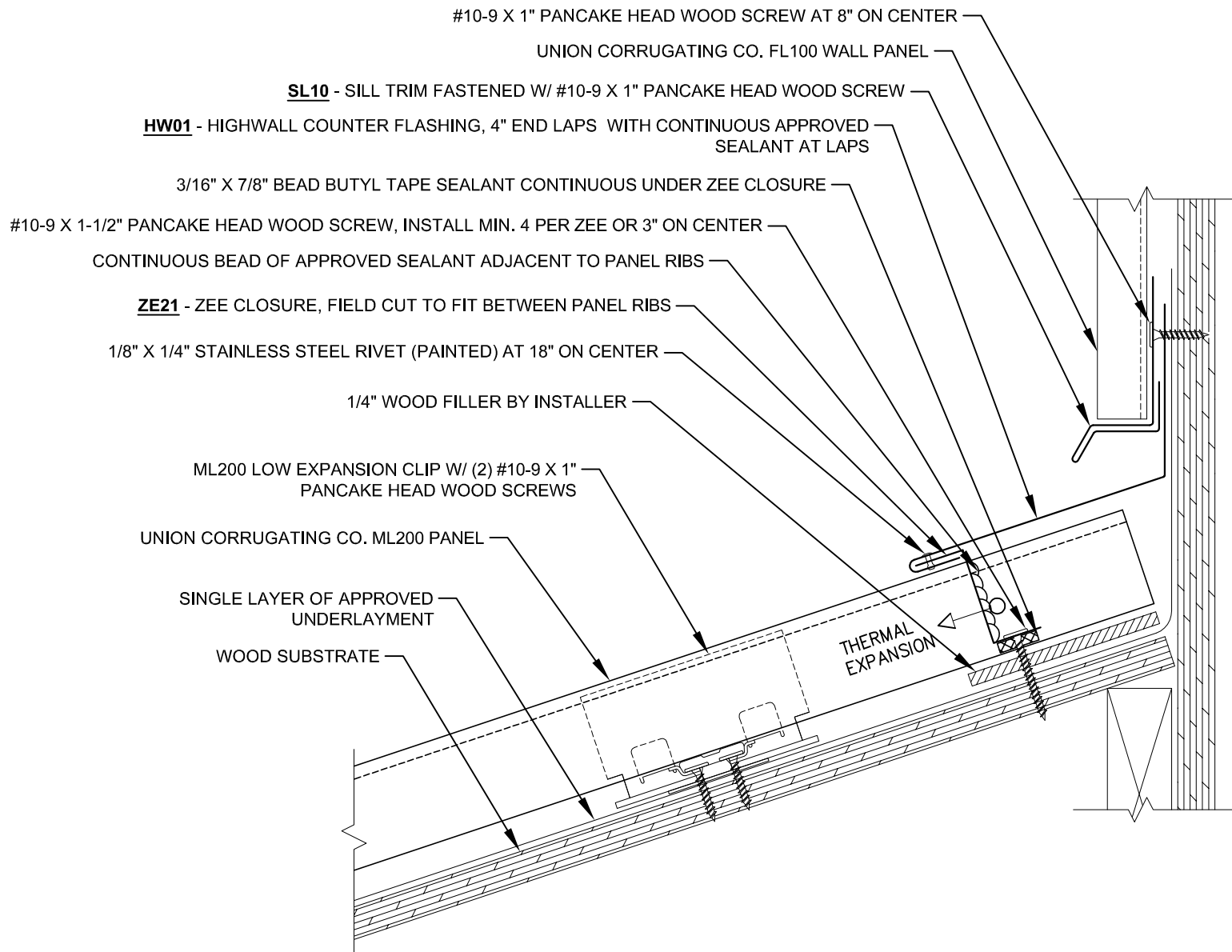


Description: **HIGH WALL DETAIL - WALL PANEL W/ SILL - FIXED CLIP**

Detail No.: **ML200-WS-6.14\_FX**

Substrate: **WOOD SUBSTRATE**

Project Name:  
Location:



Description: HIGH WALL DETAIL - WALL PANEL W/ SILL - EXPANSION CLIP

Detail No.: ML200-WS-6.14\_EX

Substrate: WOOD SUBSTRATE

Project Name:  
Location:

MEMBRANE ROOFING SYSTEM. EXTEND OVER PARAPET AND DOWN FACE OF WALL MINIMUM 3"

COPING SYSTEM WITH CONTINUOUS CLEAT (MIN. 24 GAUGE) FASTENED AT 8" ON CENTER AT CLEAT AND 24" ON CENTER AT REAR. INSTALL WITH 4" END LAPS WITH CONTINUOUS APPROVED SEALANT AT LAPS.

**HW02** - HIGHWALL COUNTER FLASHING, 4" END LAPS WITH CONTINUOUS APPROVED SEALANT AT LAPS

3/16" X 7/8" BEAD BUTYL TAPE SEALANT CONTINUOUS UNDER ZEE CLOSURE

#10-9 X 1" PANCAKE HEAD WOOD SCREW, INSTALL MIN. 4 PER ZEE OR 3" ON CENTER

CONTINUOUS BEAD OF APPROVED SEALANT ADJACENT TO PANEL RIBS

**ZE21** - ZEE CLOSURE, FIELD CUT TO FIT BETWEEN PANEL RIBS

1/8" X 1/4" STAINLESS STEEL RIVET (PAINTED) AT 18" ON CENTER

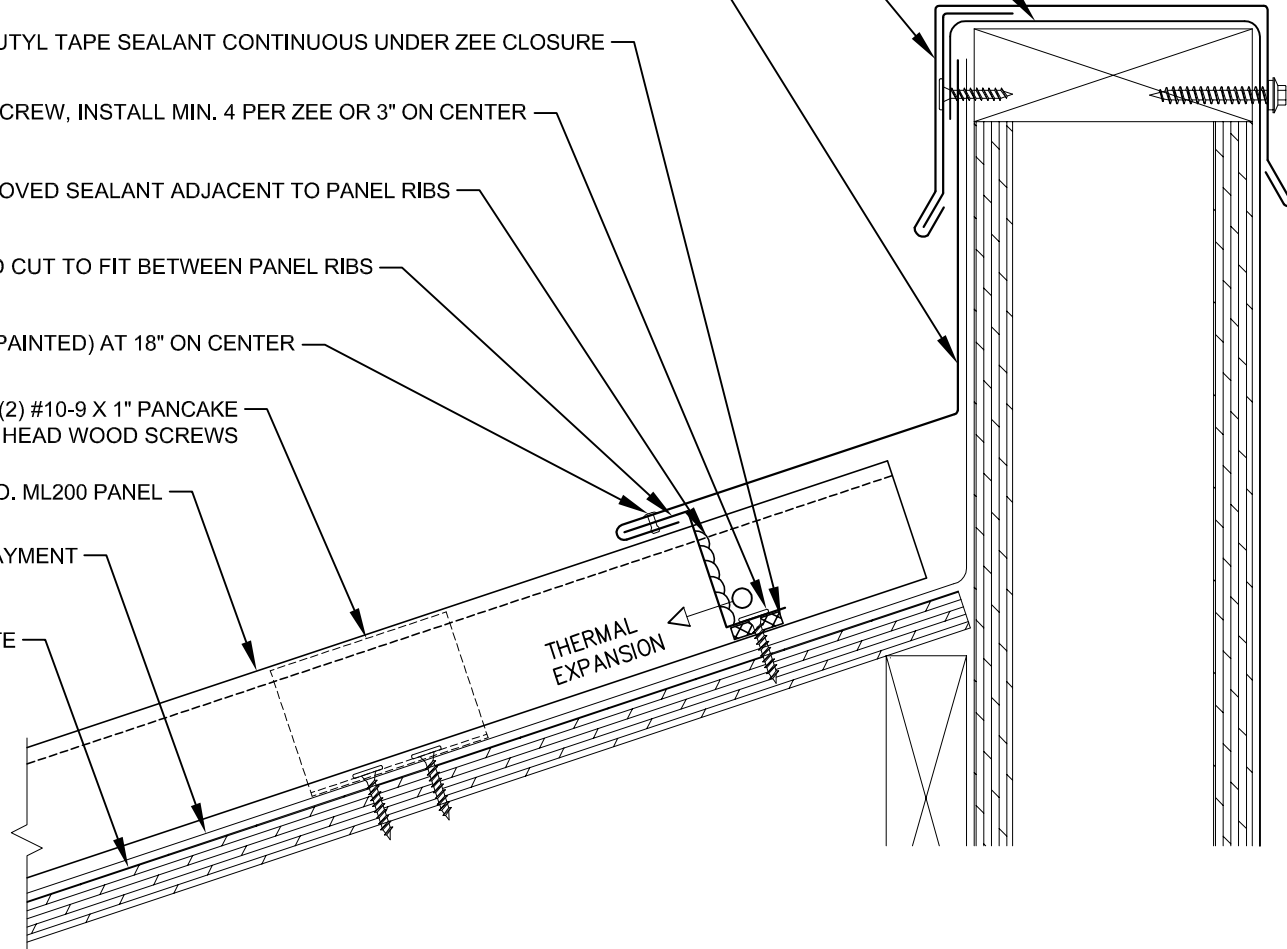
ML200 FIXED CLIP W/ (2) #10-9 X 1" PANCAKE HEAD WOOD SCREWS

UNION CORRUGATING CO. ML200 PANEL

SINGLE LAYER OF APPROVED UNDERLAYMENT

WOOD SUBSTRATE

THERMAL EXPANSION



Description: HIGH WALL DETAIL - PARAPET COPING - FIXED CLIP

Substrate: WOOD SUBSTRATE

Project Name:

Location:

Detail No.: ML200-WS-6.20\_FX

MEMBRANE ROOFING SYSTEM. EXTEND OVER PARAPET AND DOWN FACE OF WALL MINIMUM 3"

COPING SYSTEM WITH CONTINUOUS CLEAT (MIN. 24 GAUGE) FASTENED AT 8" ON CENTER AT CLEAT AND 24" ON CENTER AT REAR. INSTALL WITH 4" END LAPS WITH CONTINUOUS APPROVED SEALANT AT LAPS.

**HW02** - HIGHWALL COUNTER FLASHING, 4" END LAPS WITH CONTINUOUS APPROVED SEALANT AT LAPS

3/16" X 7/8" BEAD BUTYL TAPE SEALANT CONTINUOUS UNDER ZEE CLOSURE

#10-9 X 1-1/2" PANCAKE HEAD WOOD SCREW, INSTALL MIN. 4 PER ZEE OR 3" ON CENTER

CONTINUOUS BEAD OF APPROVED SEALANT ADJACENT TO PANEL RIBS

**ZE21** - ZEE CLOSURE, FIELD CUT TO FIT BETWEEN PANEL RIBS

1/8" X 1/4" STAINLESS STEEL RIVET (PAINTED) AT 18" ON CENTER

1/4" WOOD FILLER BY INSTALLER

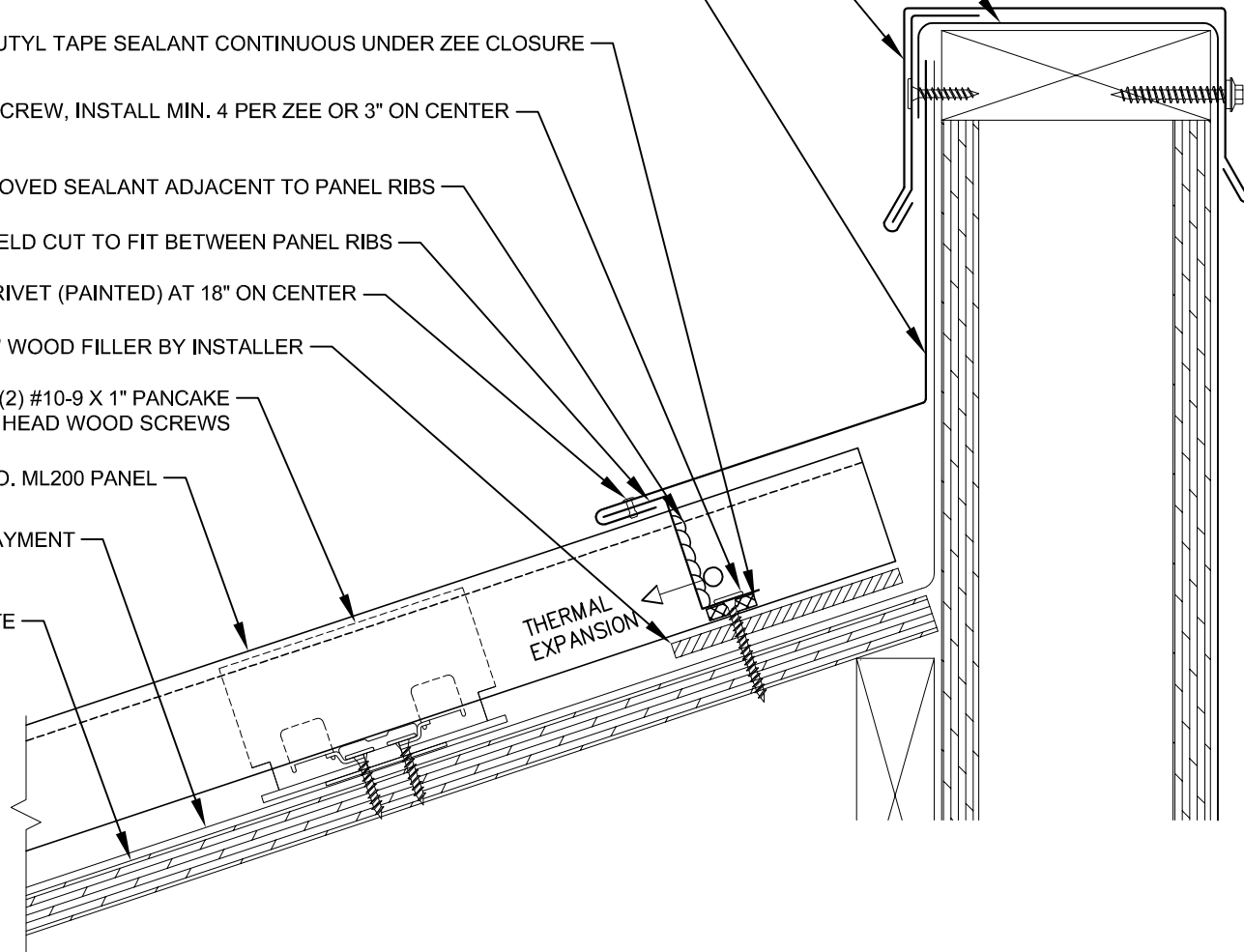
ML200 LOW EXPANSION CLIP W/ (2) #10-9 X 1" PANCAKE HEAD WOOD SCREWS

UNION CORRUGATING CO. ML200 PANEL

SINGLE LAYER OF APPROVED UNDERLAYMENT

WOOD SUBSTRATE

THERMAL EXPANSION



Description: HIGH WALL DETAIL - PARAPET COPING - EXPANSION CLIP

Detail No.: ML200-WS-6.20\_EX

Substrate: WOOD SUBSTRATE

Project Name:

Location:

FILL END OF PANEL RIB W/ APPROVED SEALANT FOLD TAB AROUND RIB FOR CLOSURE

**LW01** - LOW WALL FLASHING, 12" END LAPS WITH 2 ROWS OF APPROVED SEALANT AT LAPS

CUT BACK VERTICAL PANEL LEGS AND FIELD FORM PANEL AROUND OFFSET. REFER TO EAVE EXPANSION DETAIL FOR PROPER EXPANSION/CONTRACTION GAP

#10-9 X 1" PANCAKE HEAD WOOD SCREW AT 8" O.C.

**OC01** - CONTINUOUS 24 GAUGE OFFSET CLEAT SET IN CONTINUOUS 3/16" X 7/8" BUTYL TAPE SEALANT

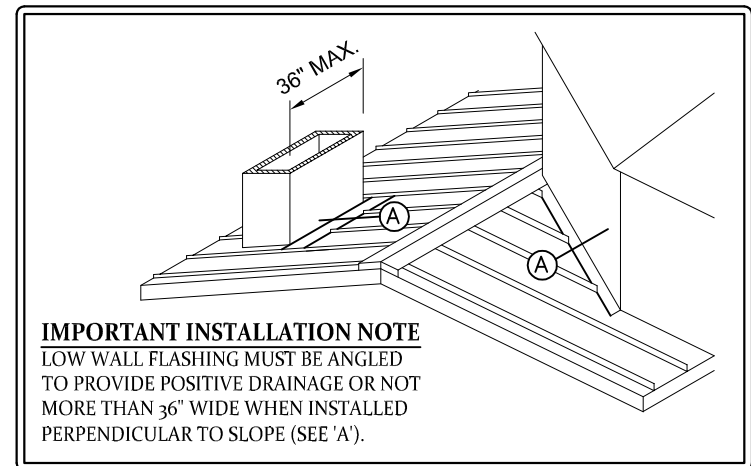
STRIP IN LOW WALL FLASHING WITH FIELD COURSE OF APPROVED UNDERLAYMENT

UNION CORRUGATING CO. ML200 PANEL

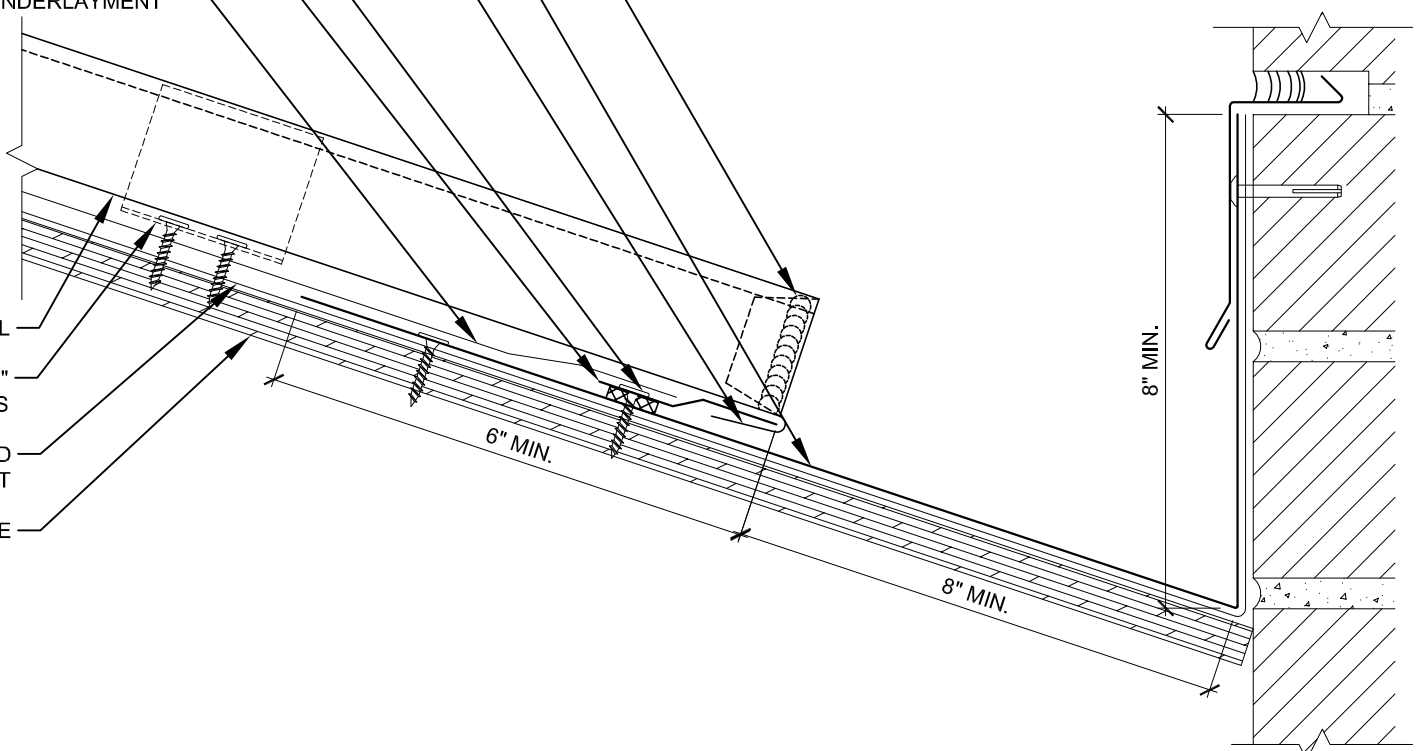
ML200 FIXED CLIP WITH (2) #10-9 X 1" PANCAKE HEAD WOOD SCREWS

SINGLE LAYER OF APPROVED UNDERLAYMENT

WOOD SUBSTRATE



**IMPORTANT INSTALLATION NOTE**  
 LOW WALL FLASHING MUST BE ANGLED TO PROVIDE POSITIVE DRAINAGE OR NOT MORE THAN 36° WIDE WHEN INSTALLED PERPENDICULAR TO SLOPE (SEE 'A').



Description:

# VALLEY WALL DETAIL - FIXED CLIP

Detail No.:

ML200-WS-6.30\_FX

Substrate:

WOOD SUBSTRATE

Project Name:

Location:

FILL END OF PANEL RIB W/ APPROVED SEALANT FOLD TAB AROUND RIB FOR CLOSURE

**LW01** - LOW WALL FLASHING, 12" END LAPS WITH 2 ROWS OF APPROVED SEALANT AT LAPS

CUT BACK VERTICAL PANEL LEGS AND FIELD FORM PANEL AROUND OFFSET. REFER TO EAVE EXPANSION DETAIL FOR PROPER EXPANSION/CONTRACTION GAP

#10-9 X 1" PANCAKE HEAD WOOD SCREW AT 8" O.C.

**OC01** - CONTINUOUS 24 GAUGE OFFSET CLEAT SET IN CONTINUOUS 3/16" X 7/8" BUTYL TAPE SEALANT

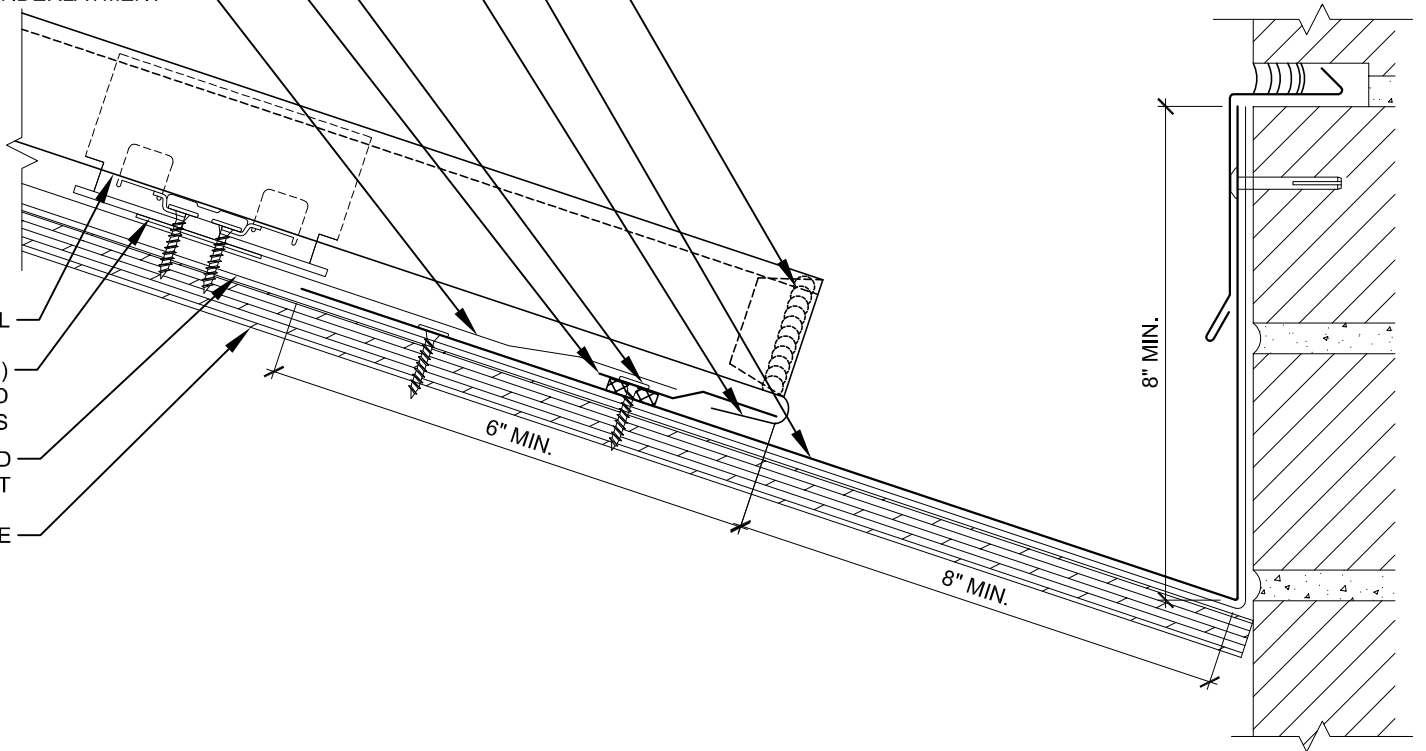
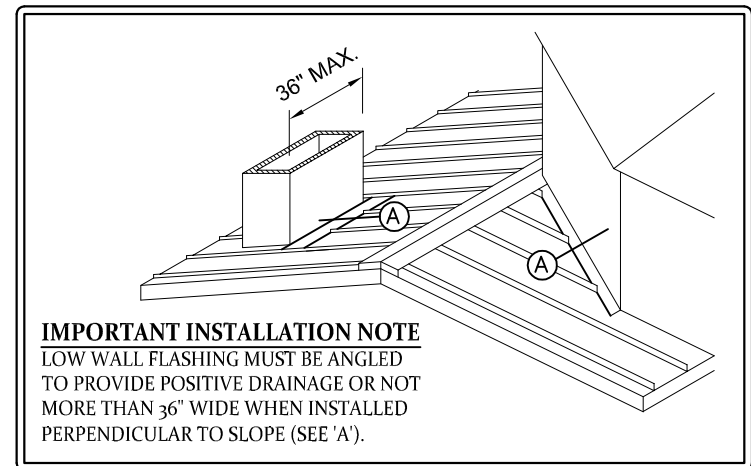
STRIP IN LOW WALL FLASHING WITH FIELD COURSE OF APPROVED UNDERLAYMENT

UNION CORRUGATING CO. ML200 PANEL

ML200 LOW EXPANSION CLIP WITH (2) #10-9 X 1" PANCAKE HEAD WOOD SCREWS

SINGLE LAYER OF APPROVED UNDERLAYMENT

WOOD SUBSTRATE



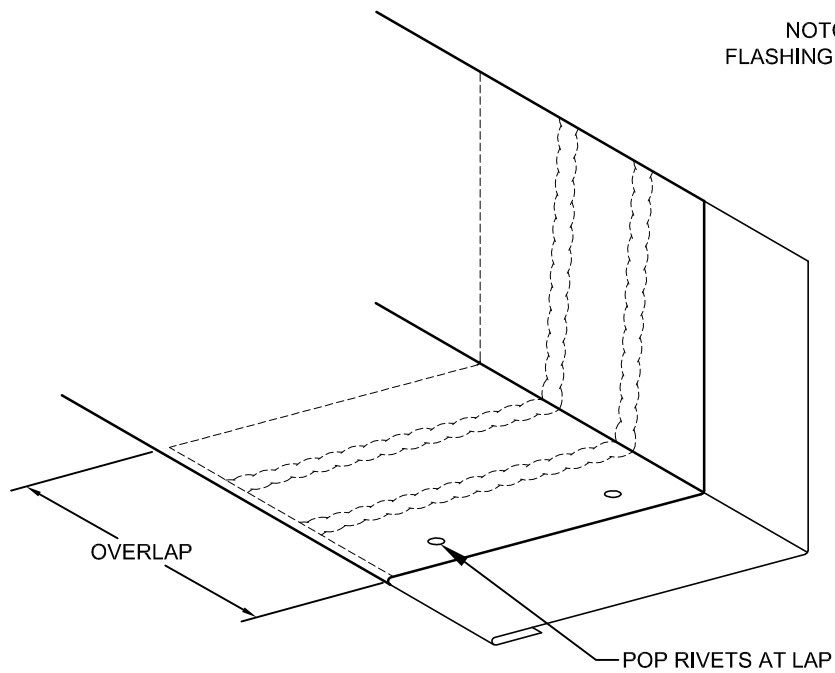
Description: **VALLEY WALL DETAIL - EXPANSION CLIP**

Substrate: **WOOD SUBSTRATE**

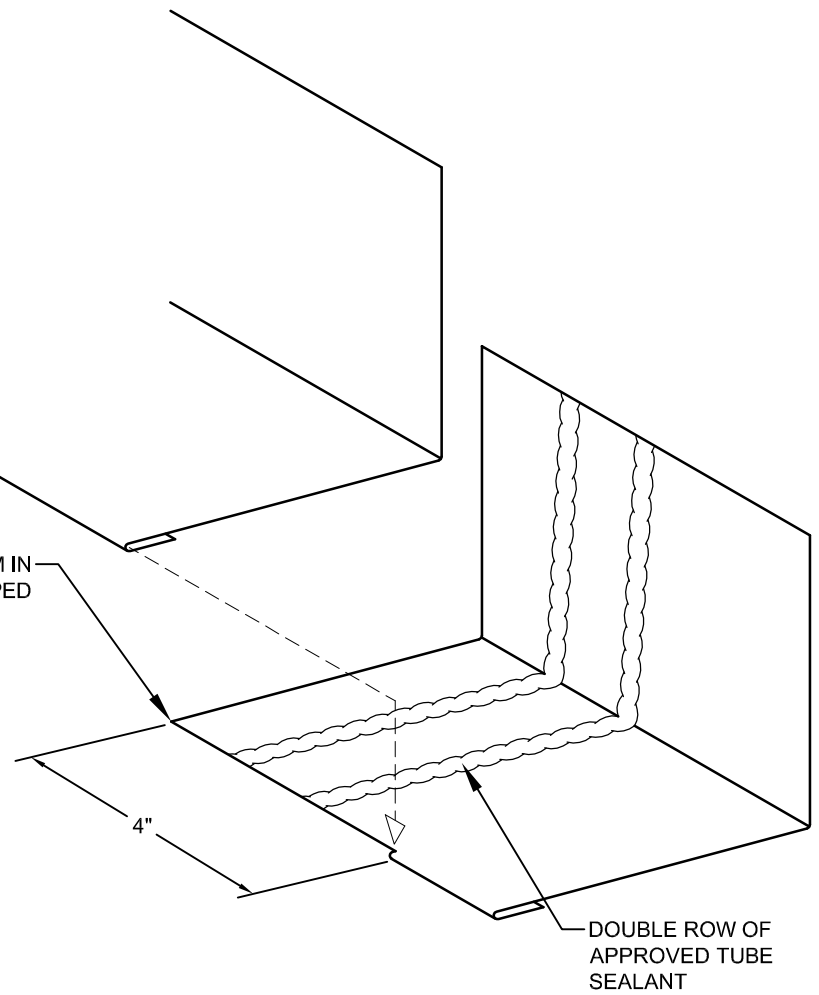
Project Name: \_\_\_\_\_

Location: \_\_\_\_\_

Detail No.: **ML200-WS-6.30\_EX**



NOTCH OUT HEM IN FLASHING TO BE LAPPED



Description:

# HIGHWALL LAP DETAIL

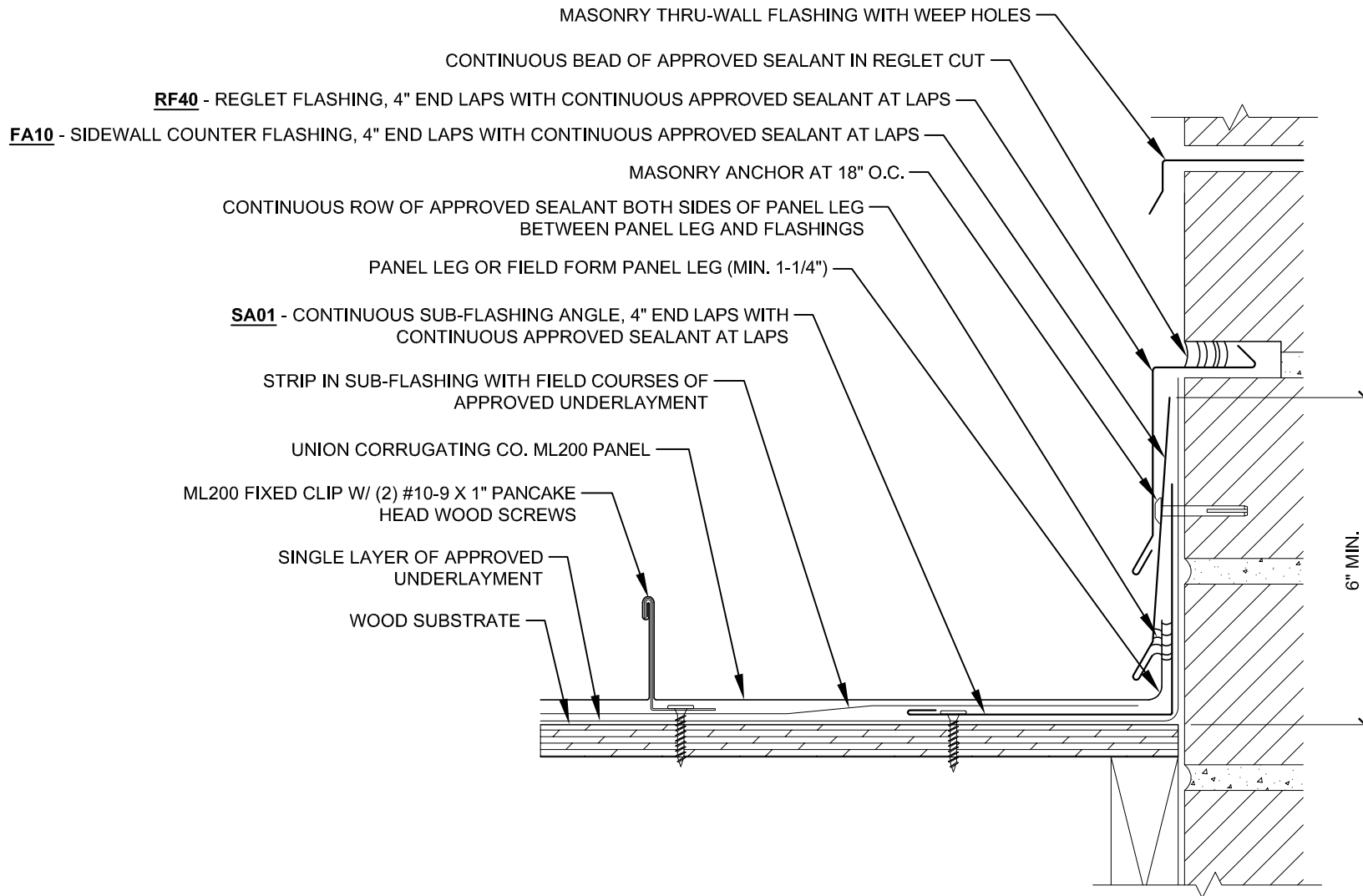
Detail No.:

ML200-6.90

Substrate:

Project Name:

Location:



Description:

**SIDEWALL DETAIL - REGLET - FIXED CLIP**

Detail No.:

**ML200-WS-7.11\_FX**

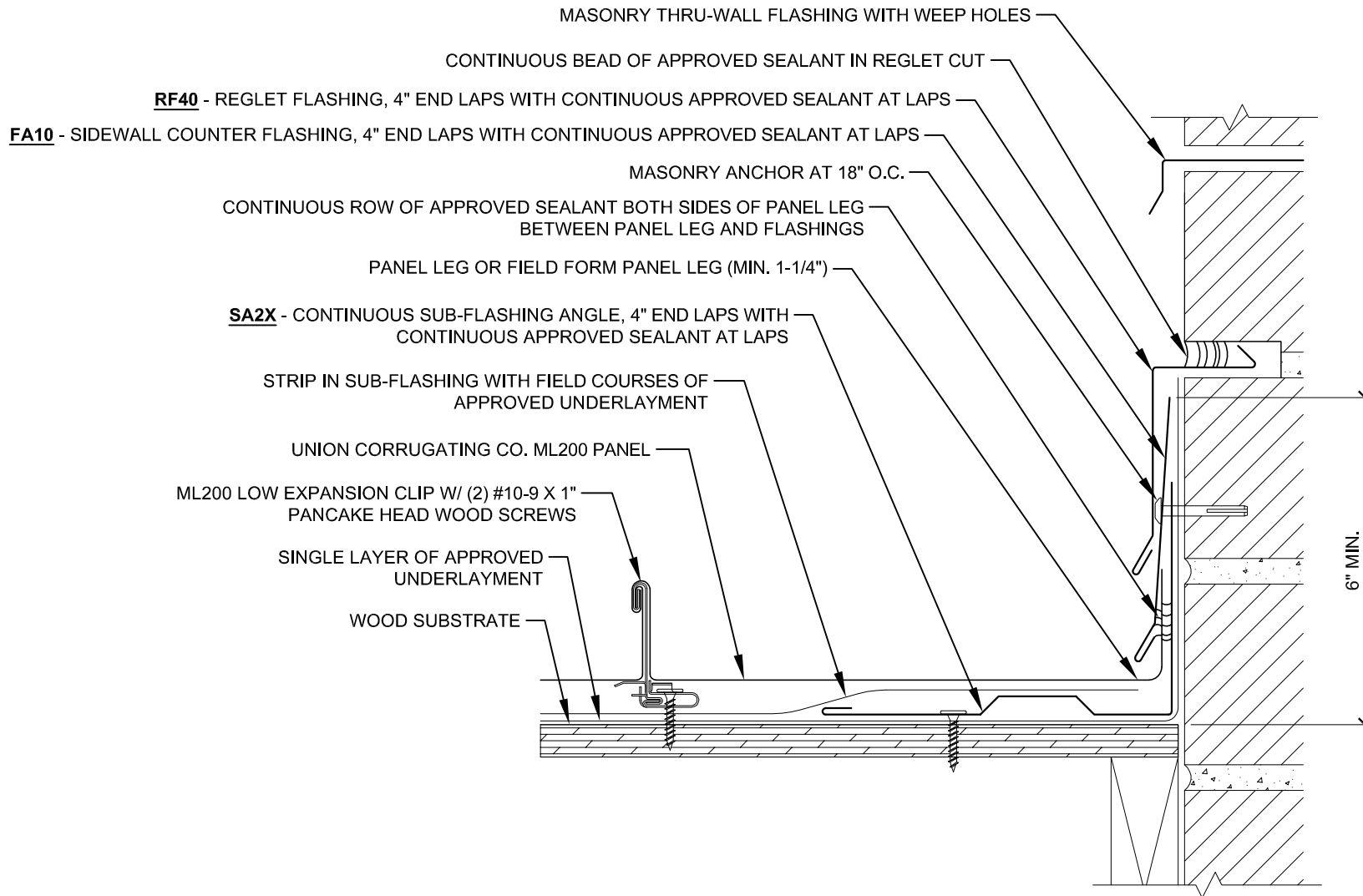
Substrate:

**WOOD SUBSTRATE**

Project Name:

Location:



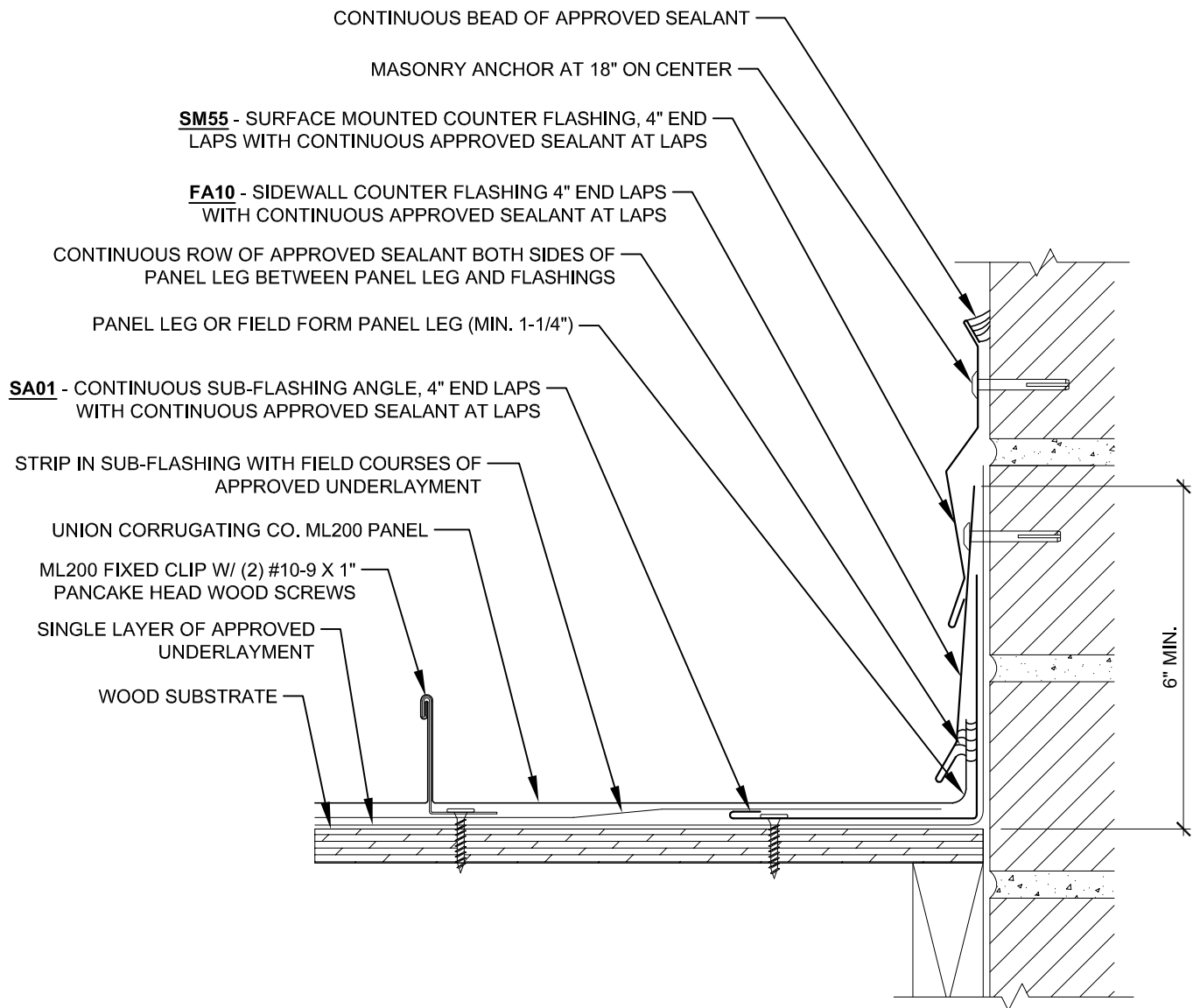


Description: **SIDEWALL DETAIL - REGLET - EXPANSION CLIP**

Detail No.: **ML200-WS-7.11\_EX**

Substrate: **WOOD SUBSTRATE**

Project Name:  
Location:

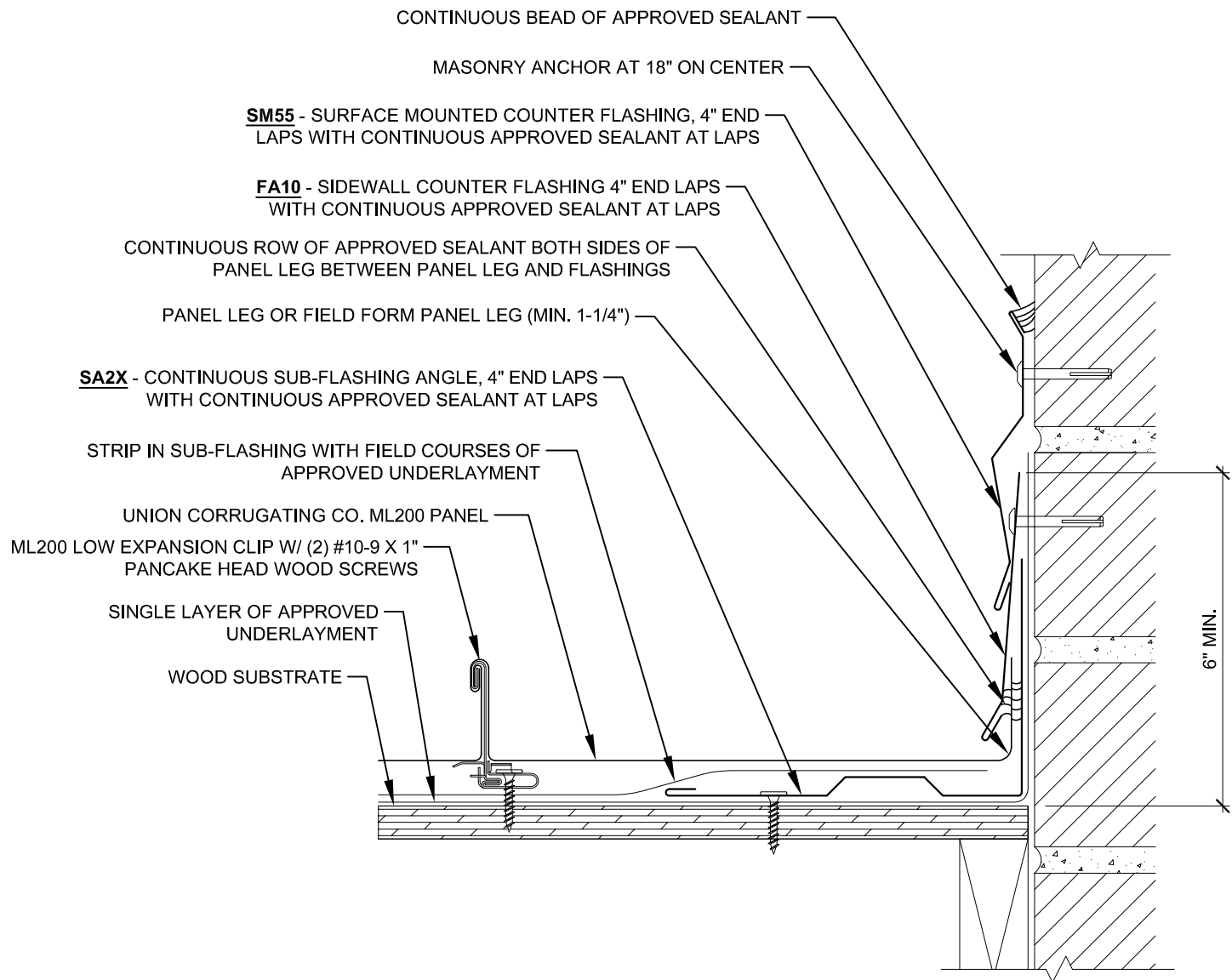


Description: **SIDEWALL DETAIL - SURFACE MOUNT - FIXED CLIP**

Detail No.: **ML200-WS-7.12\_FX**

Substrate: **WOOD SUBSTRATE**

Project Name:  
Location:

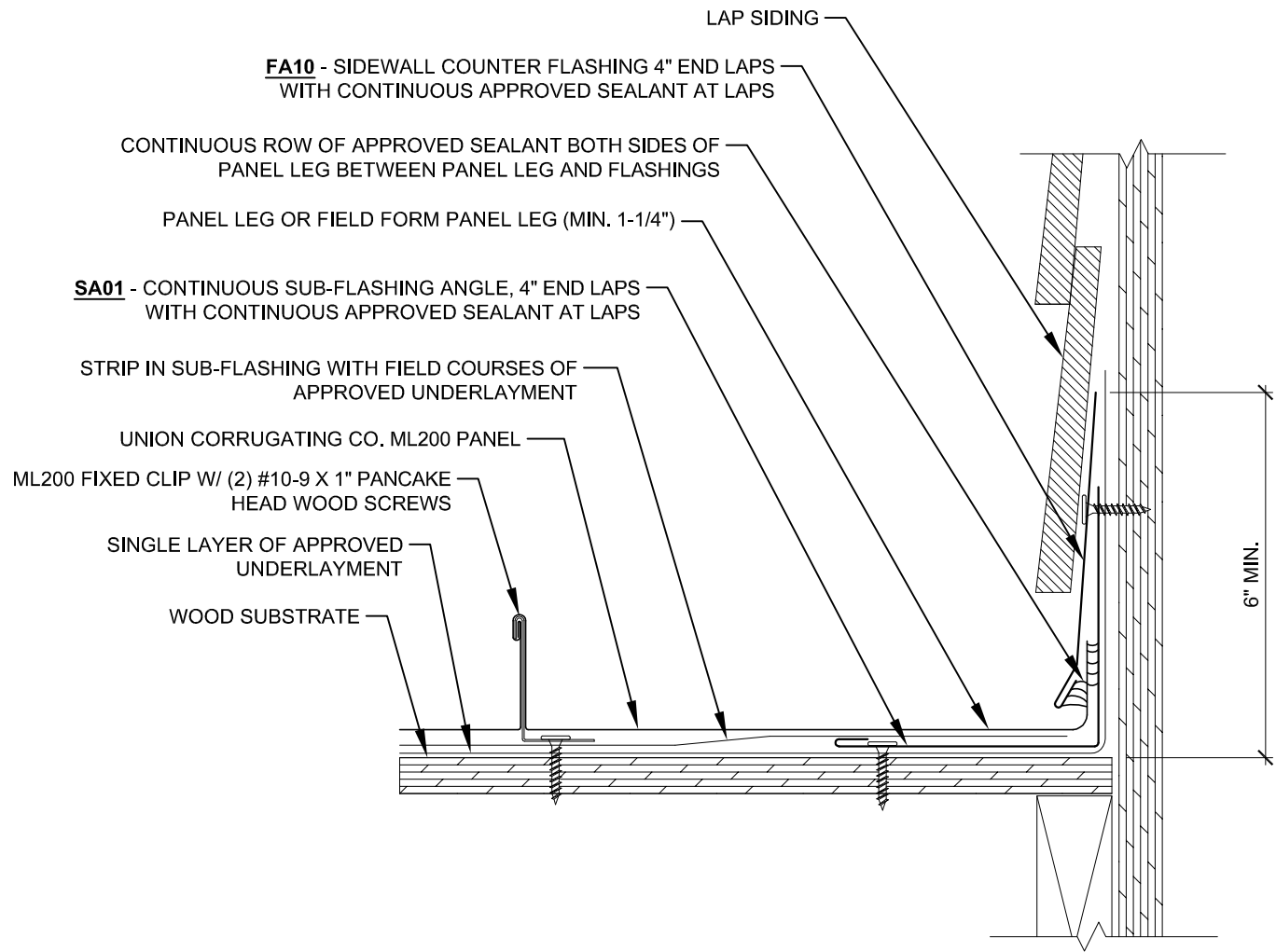


Description: **SIDEWALL DETAIL - SURFACE MOUNT - EXPANSION CLIP**

Detail No.: **ML200-WS-7.12\_EX**

Substrate: **WOOD SUBSTRATE**

Project Name:  
Location:



Description:

**SIDEWALL DETAIL - W/ SIDING - FIXED CLIP**

Detail No.:

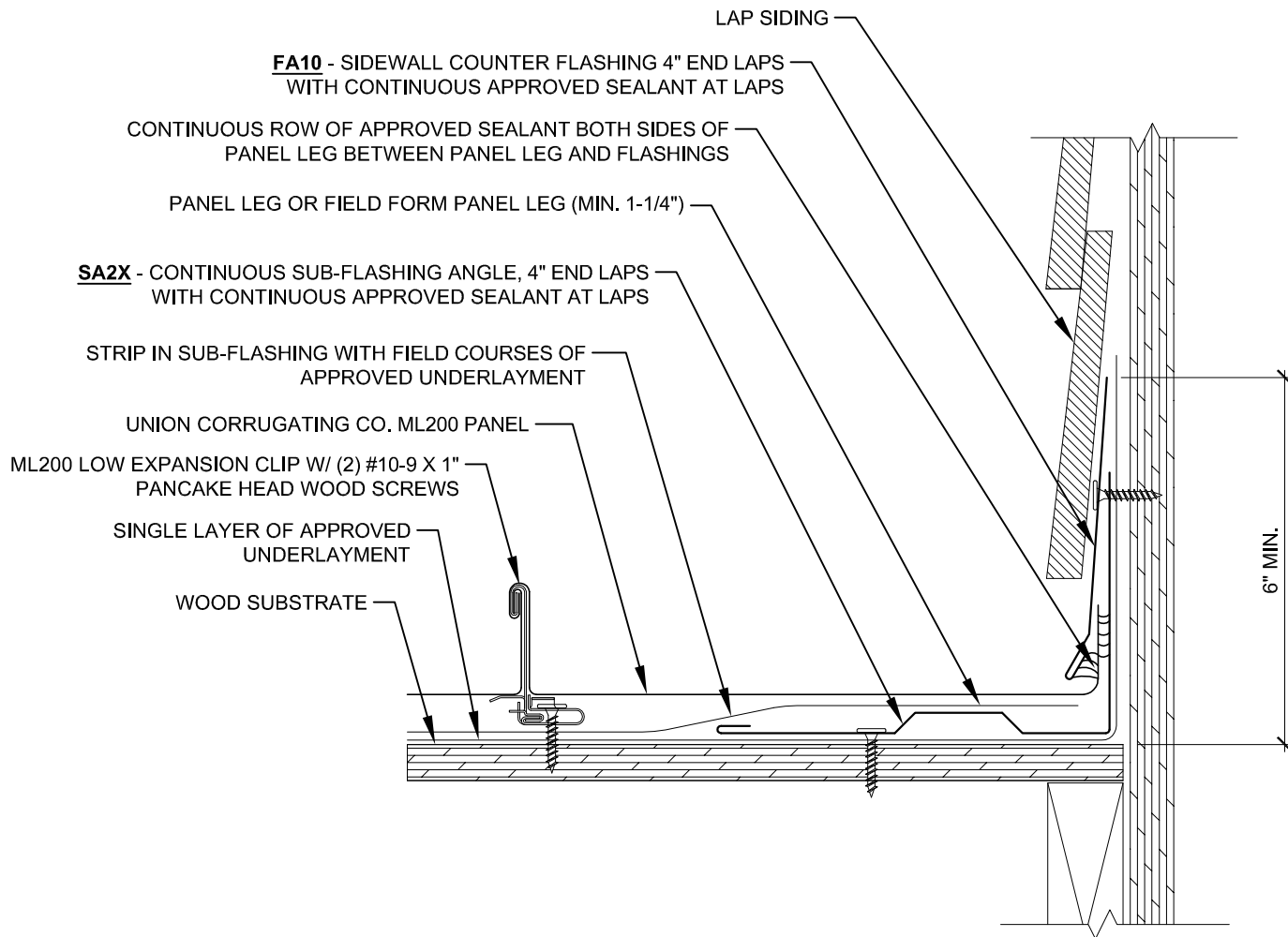
ML200-WS-7.13\_FX

Substrate:

WOOD SUBSTRATE

Project Name:

Location:

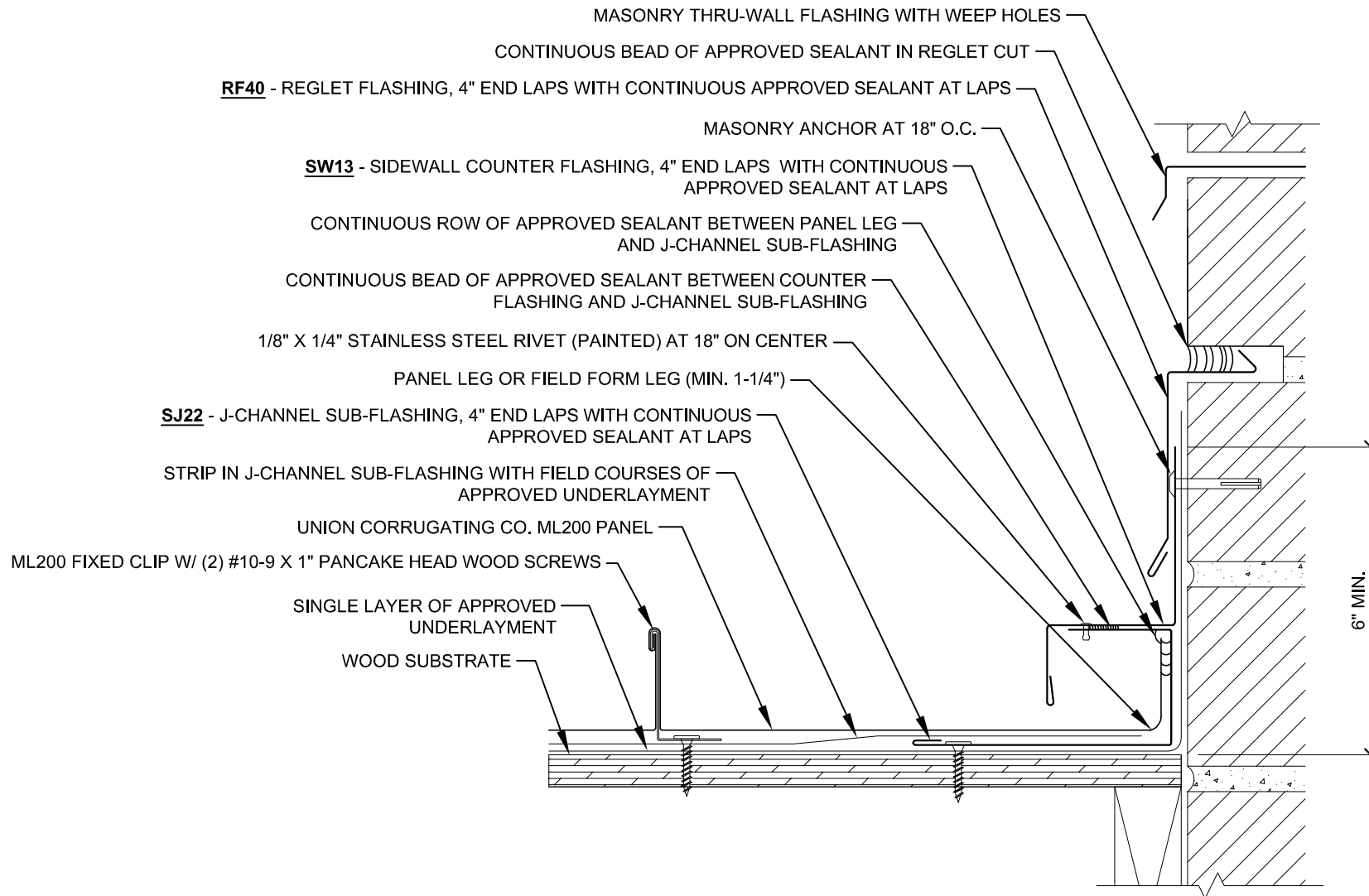


Description: **SIDEWALL DETAIL - W/ SIDING - EXPANSION CLIP**

Detail No.: **ML200-WS-7.13\_EX**

Substrate: **WOOD SUBSTRATE**

Project Name:  
Location:



Description:

**SIDEWALL DETAIL - REGLET - FIXED CLIP**

Detail No.:

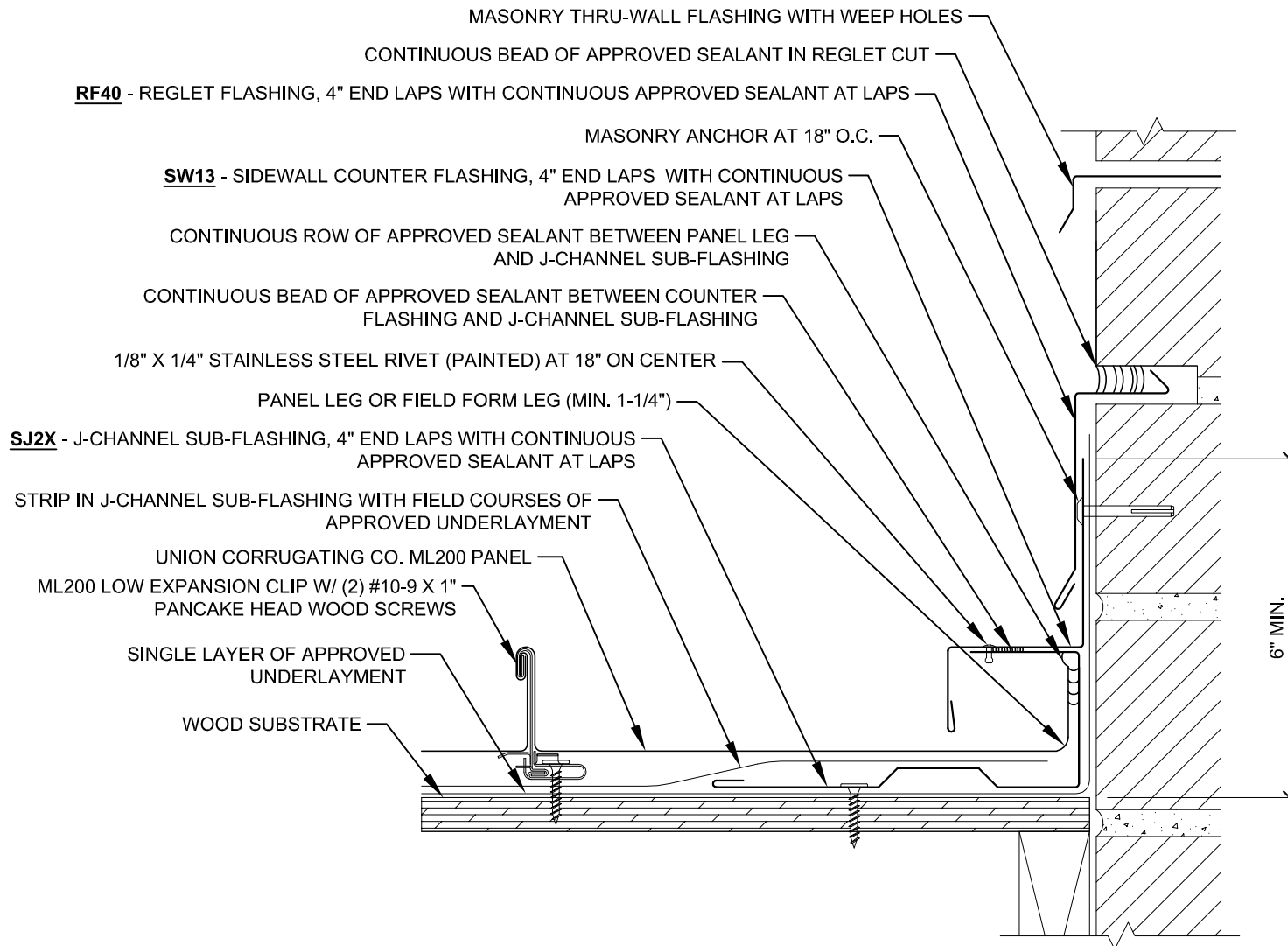
ML200-WS-7.21\_FX

Substrate:

WOOD SUBSTRATE

Project Name:

Location:

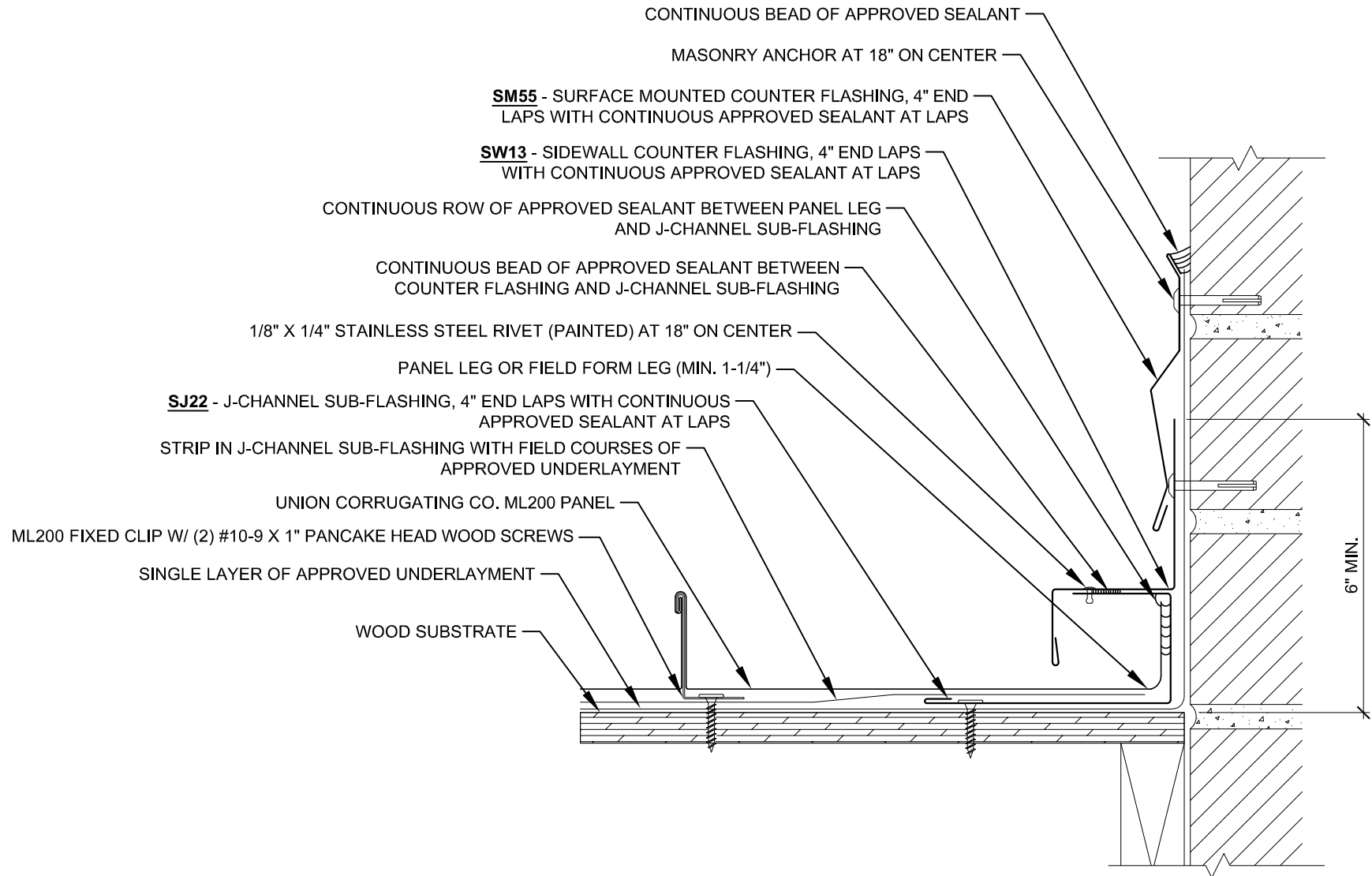


Description: **SIDEWALL DETAIL - REGLET - EXPANSION CLIP**

Detail No.: **ML200-WS-7.21\_EX**

Substrate: **WOOD SUBSTRATE**

Project Name:  
Location:



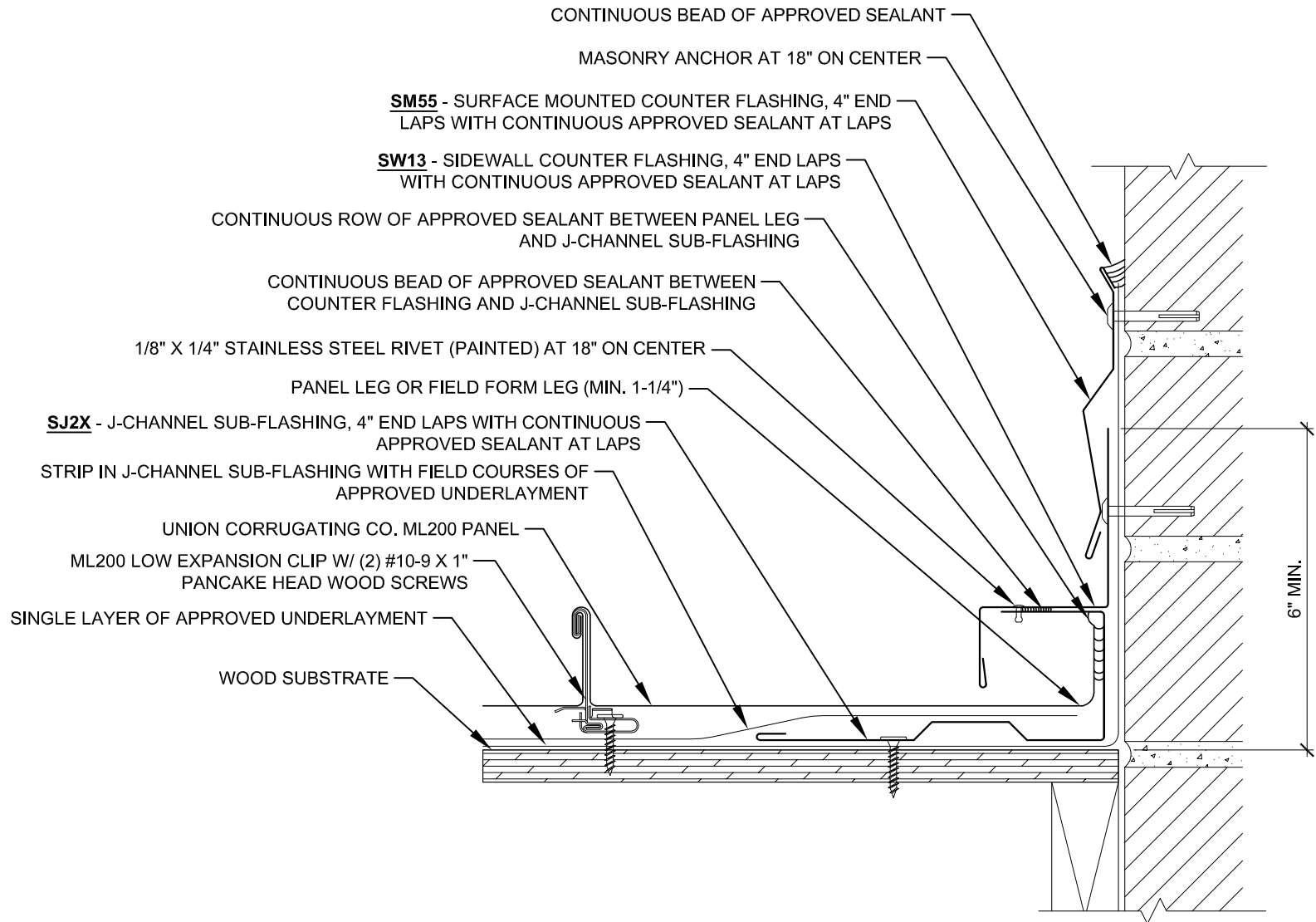
Description: **SIDEWALL DETAIL - SURFACE MOUNT - FIXED CLIP**

Detail No.: **ML200-WS-7.22\_FX**

Substrate: **WOOD SUBSTRATE**

Project Name:  
Location:



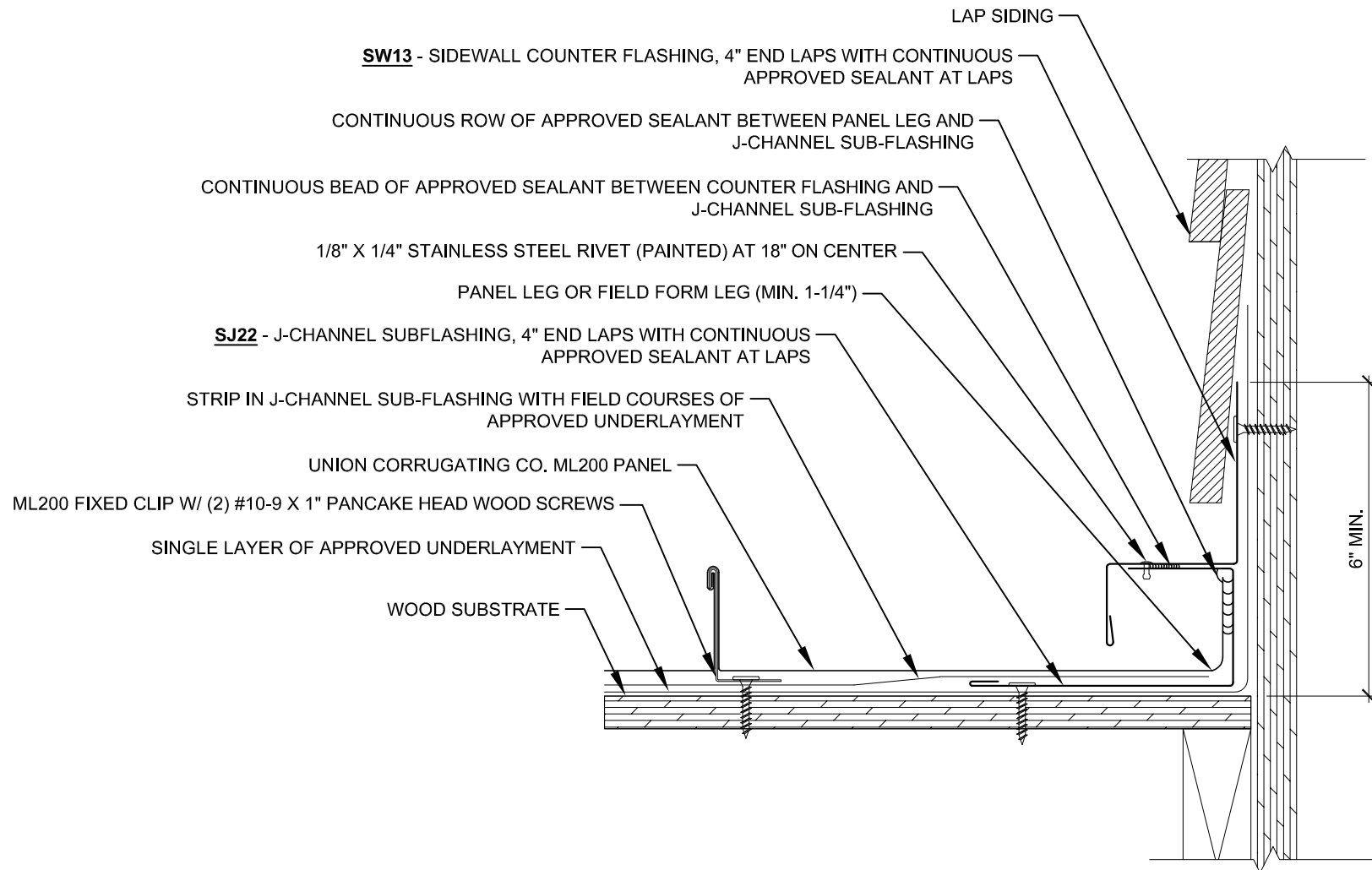


Description: **SIDEWALL DETAIL - SURFACE MOUNT - EXPANSION CLIP**

Detail No.: **ML200-WS-7.22\_EX**

Substrate: **WOOD SUBSTRATE**

Project Name:  
Location:

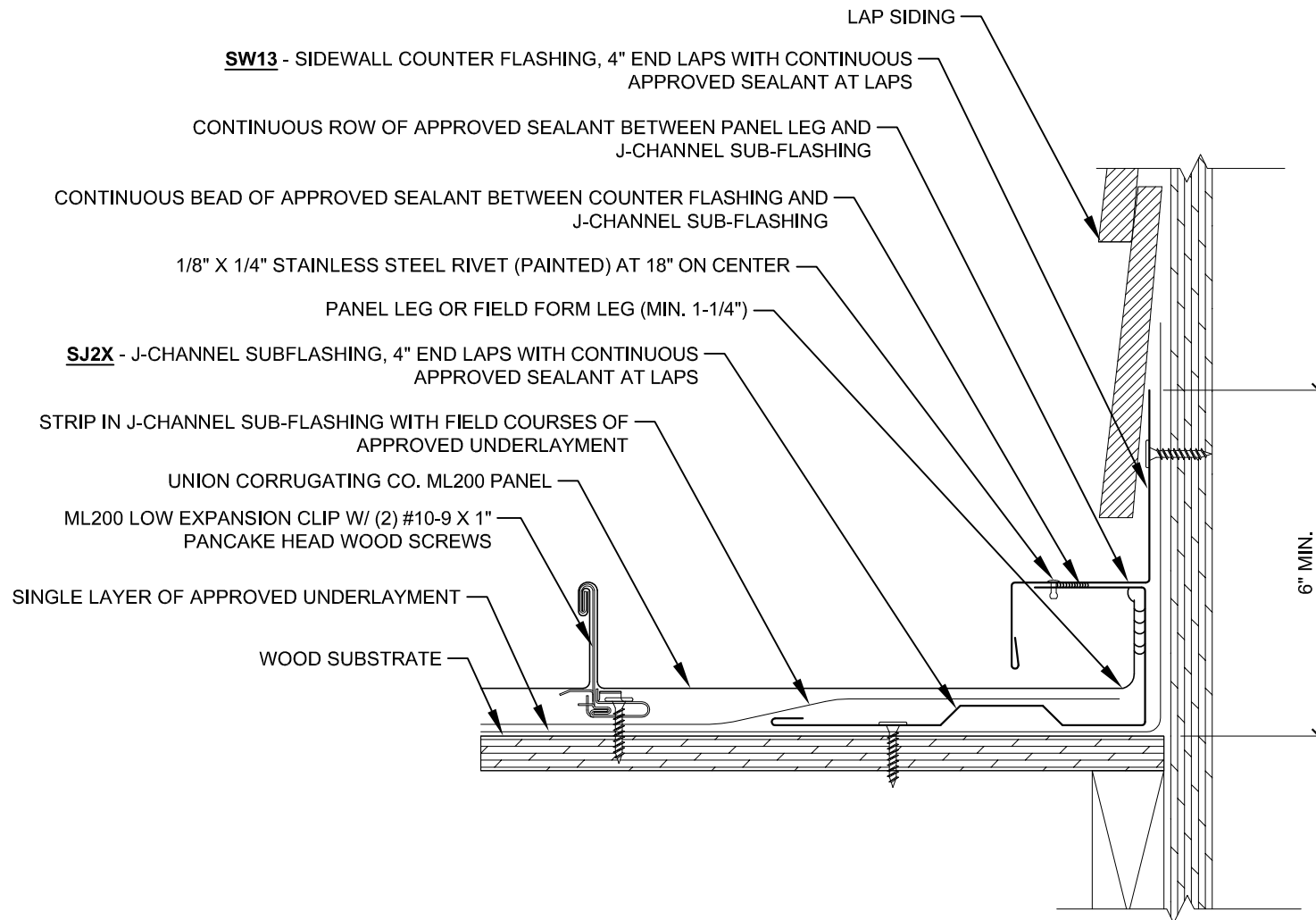


Description: **SIDEWALL DETAIL - W/ SIDING - FIXED CLIP**

Detail No.: **ML200-WS-7.23\_FX**

Substrate: **WOOD SUBSTRATE**

Project Name:  
Location:

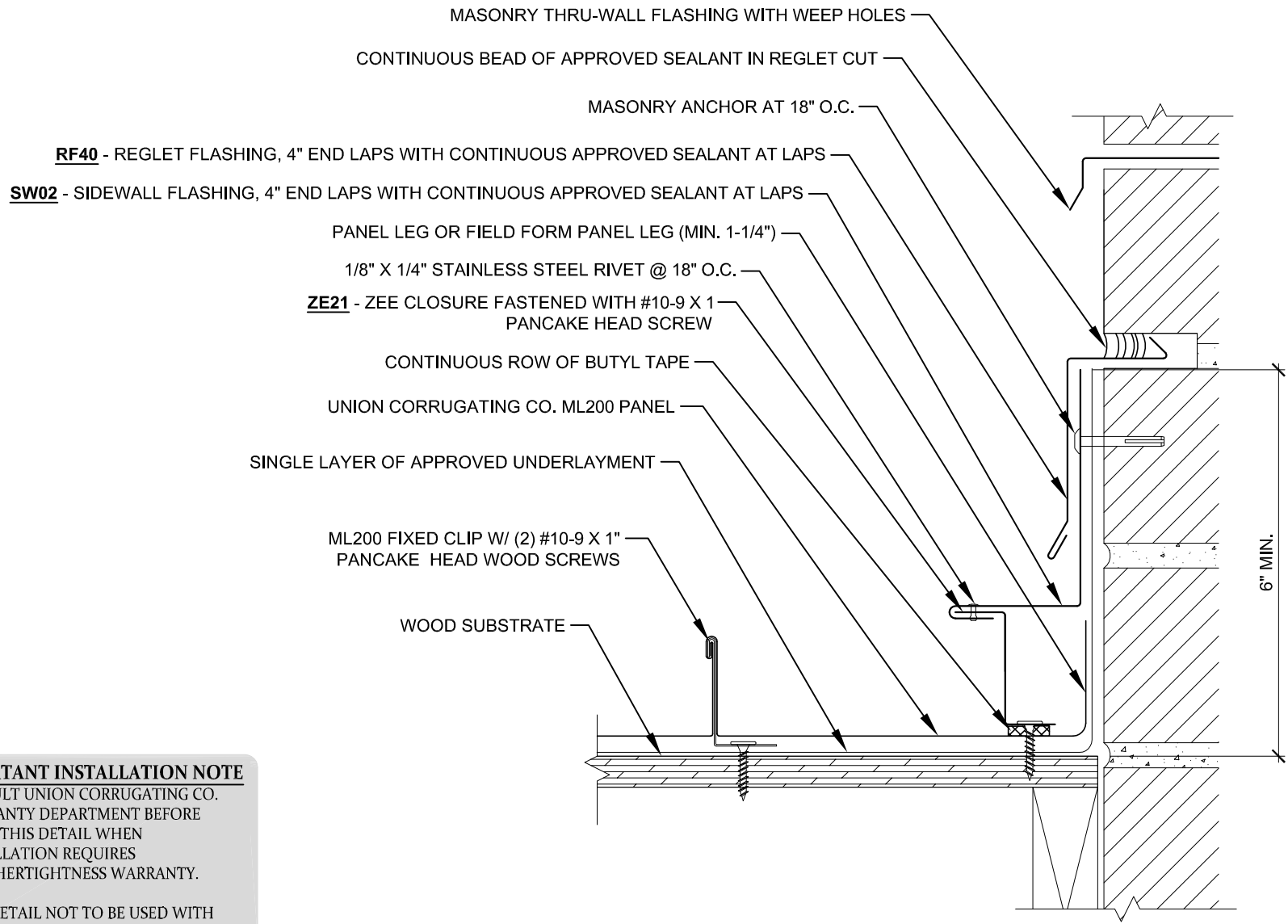


Description: **SIDEWALL DETAIL - W/ SIDING - EXPANSION CLIP**

Detail No.: **ML200-WS-7.23\_EX**

Substrate: **WOOD SUBSTRATE**

Project Name:  
Location:



**RF40** - REGLET FLASHING, 4" END LAPS WITH CONTINUOUS APPROVED SEALANT AT LAPS  
**SW02** - SIDEWALL FLASHING, 4" END LAPS WITH CONTINUOUS APPROVED SEALANT AT LAPS

**IMPORTANT INSTALLATION NOTE**

- CONSULT UNION CORRUGATING CO. WARRANTY DEPARTMENT BEFORE USING THIS DETAIL WHEN INSTALLATION REQUIRES WEATHERTIGHTNESS WARRANTY.
- THIS DETAIL NOT TO BE USED WITH PANEL LENGTHS GREATER THAN 30'-0".

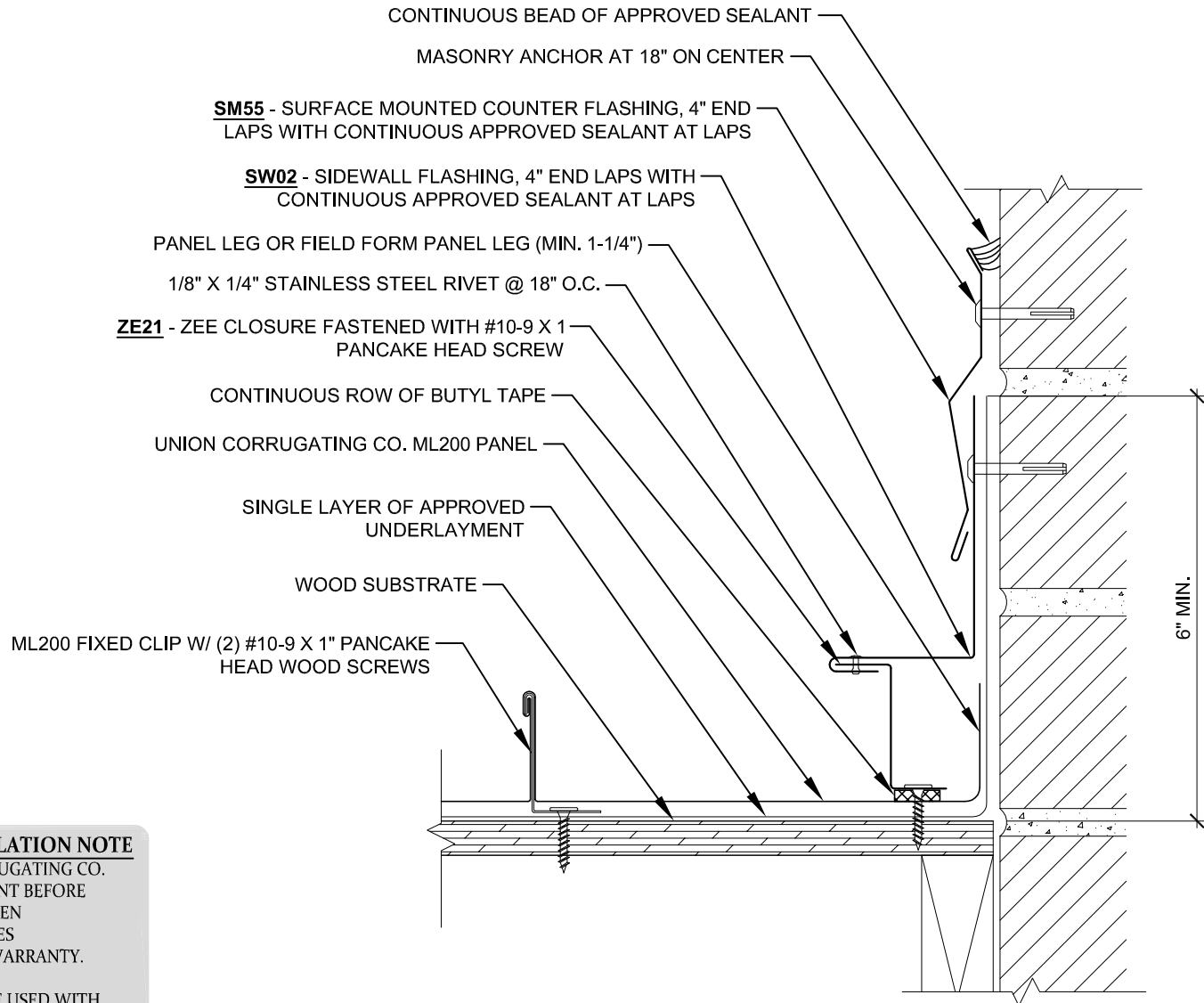


Description: **SIDEWALL W/ ZEE DETAIL - REGLET - FIXED CLIP**

Detail No.: **ML200-WS-7.31\_FX**

Substrate: **WOOD SUBSTRATE**

Project Name:  
Location:



**IMPORTANT INSTALLATION NOTE**

- CONSULT UNION CORRUGATING CO. WARRANTY DEPARTMENT BEFORE USING THIS DETAIL WHEN INSTALLATION REQUIRES WEATHERTIGHTNESS WARRANTY.
- THIS DETAIL NOT TO BE USED WITH PANEL LENGTHS GREATER THAN 30'-0".

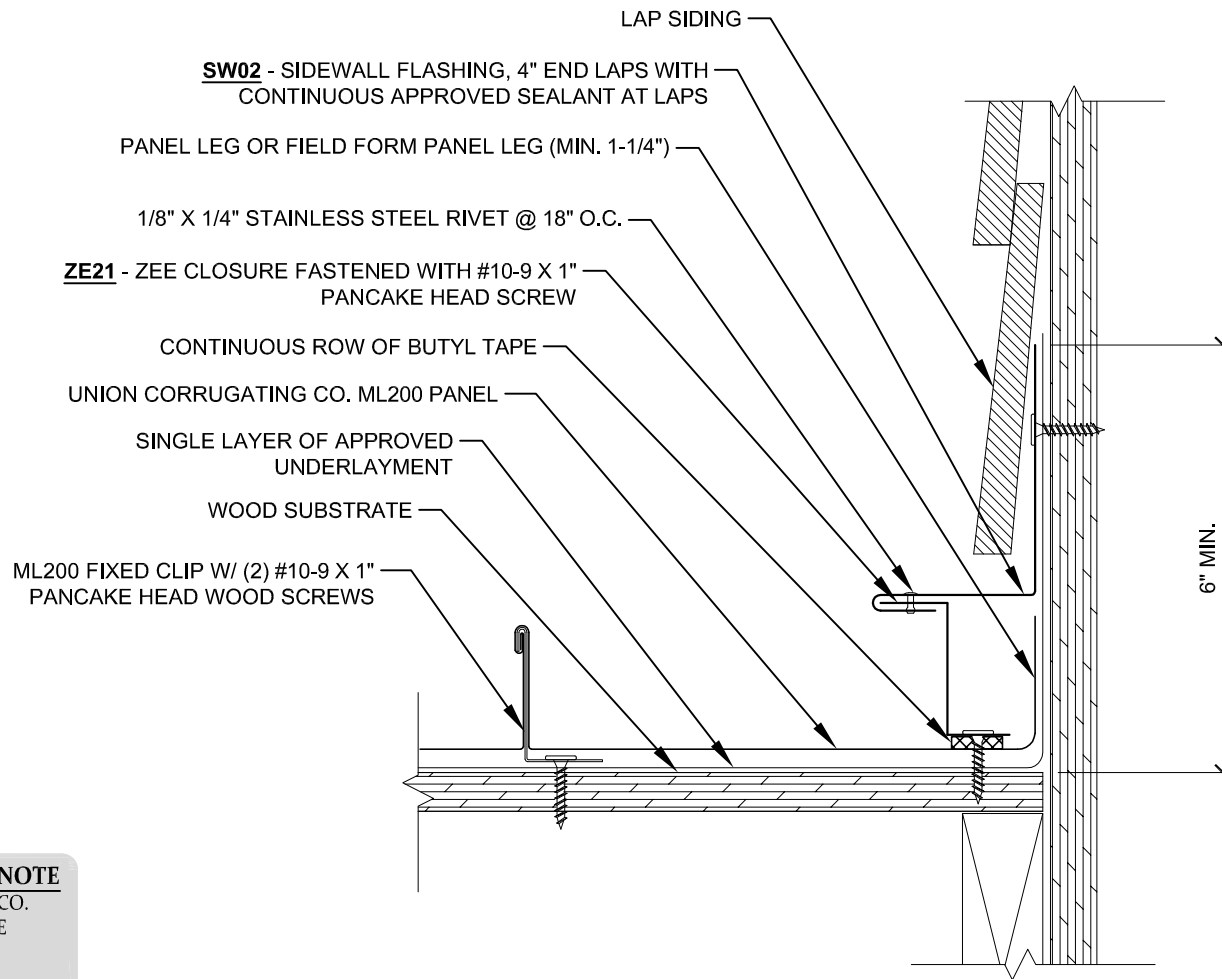


Description: **SIDEWALL W/ ZEE DETAIL - SURFACE MOUNT - FIXED CLIP**

Detail No.: **ML200-WS-7.32\_FX**

Substrate: **WOOD SUBSTRATE**

Project Name:  
Location:



**IMPORTANT INSTALLATION NOTE**

- CONSULT UNION CORRUGATING CO. WARRANTY DEPARTMENT BEFORE USING THIS DETAIL WHEN INSTALLATION REQUIRES WEATHERTIGHTNESS WARRANTY.
- THIS DETAIL NOT TO BE USED WITH PANEL LENGTHS GREATER THAN 30'-0".



Description:

**SIDEWALL W/ ZEE - W/ SIDING - FIXED CLIP**

Detail No.:

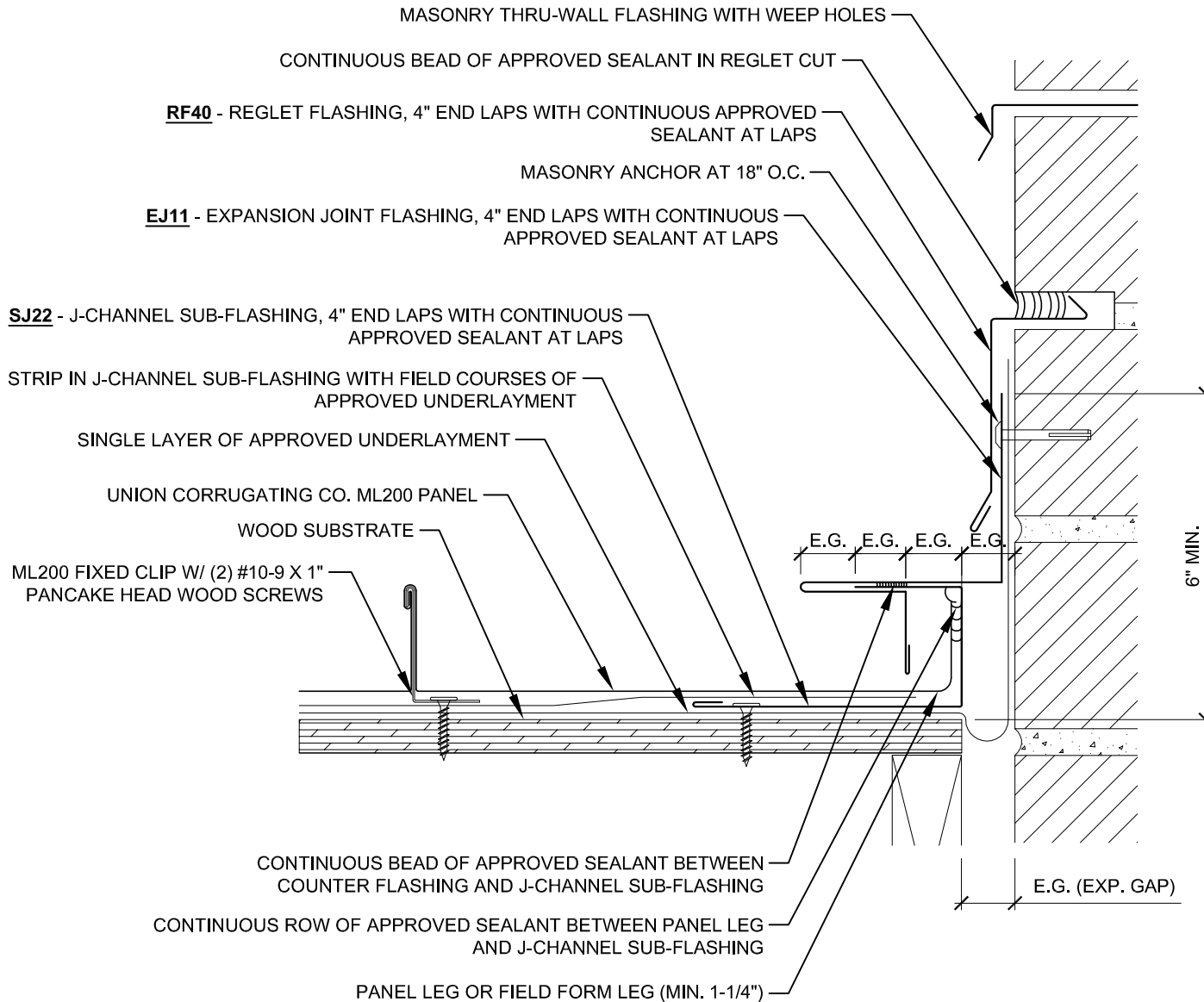
**ML200-WS-7.33\_FX**

Substrate:

**WOOD SUBSTRATE**

Project Name:

Location:

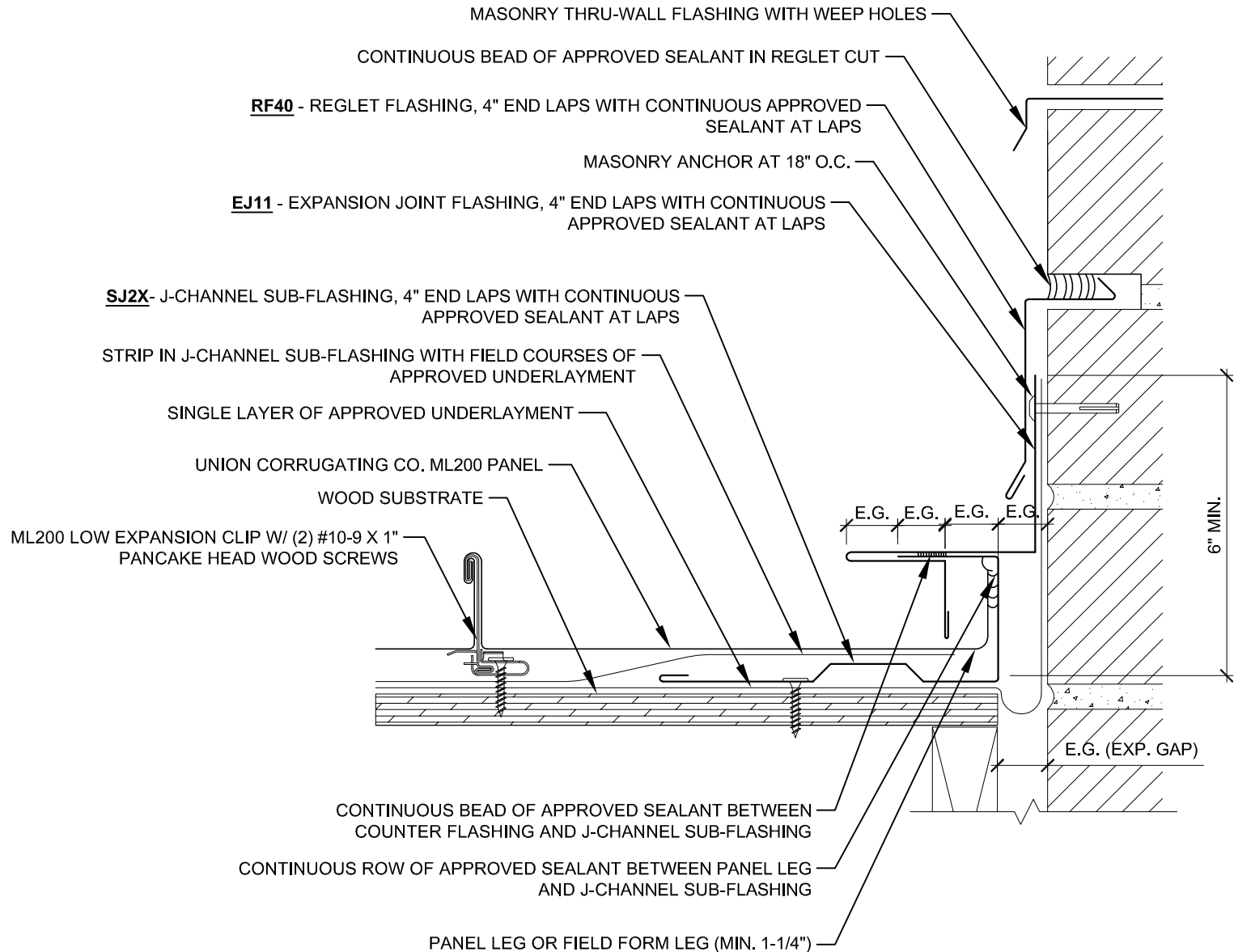


Description: **SIDEWALL EXPANSION JOINT DETAIL - FIXED CLIP**

Detail No.: **ML200-WS-7.40\_FX**

Substrate: **WOOD SUBSTRATE**

Project Name:  
Location:



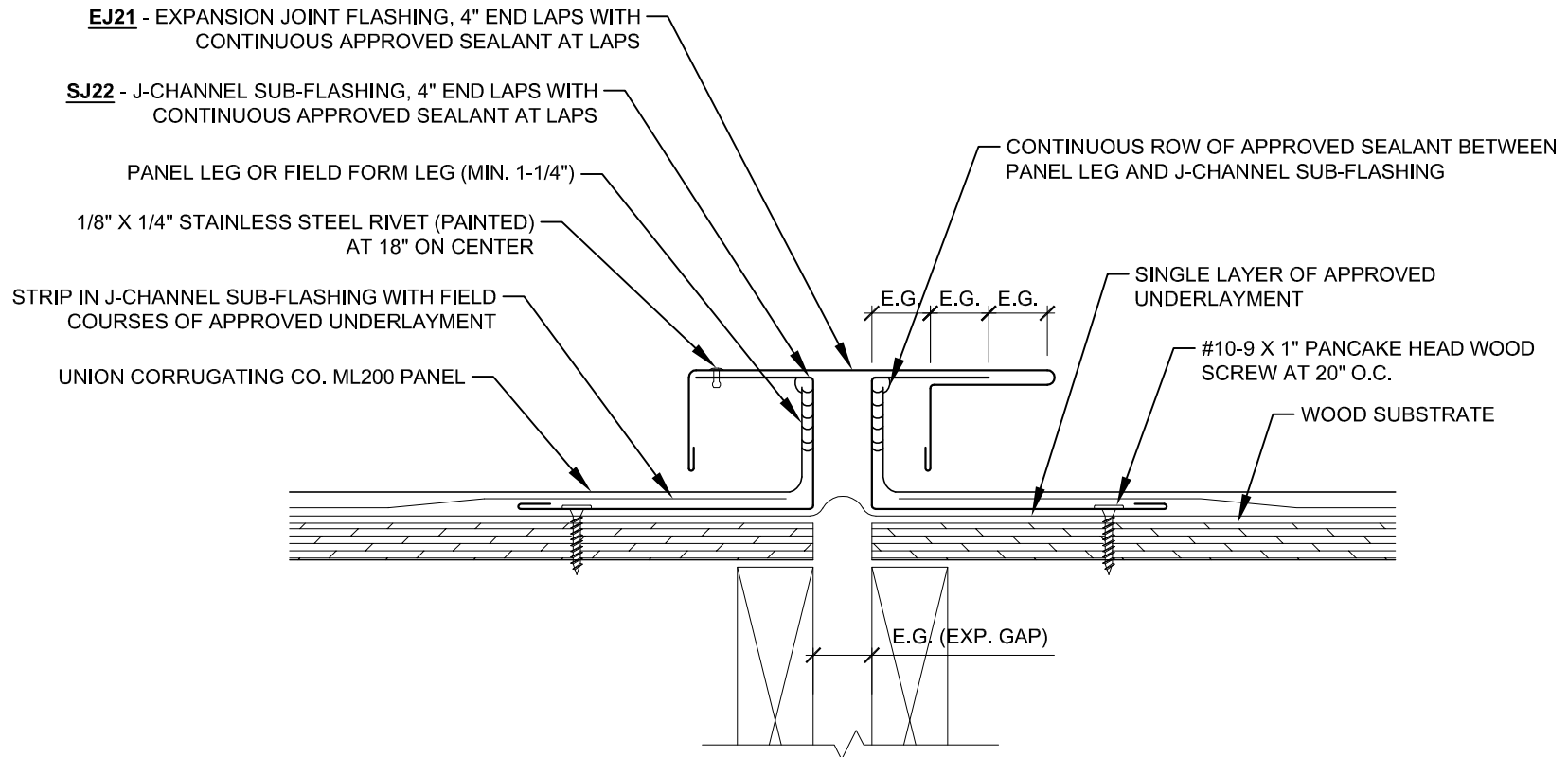
Description: **SIDEWALL EXPANSION JOINT DETAIL - EXPANSION CLIP**

Detail No.: **ML200-WS-7.40\_EX**

Substrate: **WOOD SUBSTRATE**

Project Name:  
Location:





Description:

**EXPANSION JOINT (MID-ROOF) - FIXED CLIP**

Detail No.:

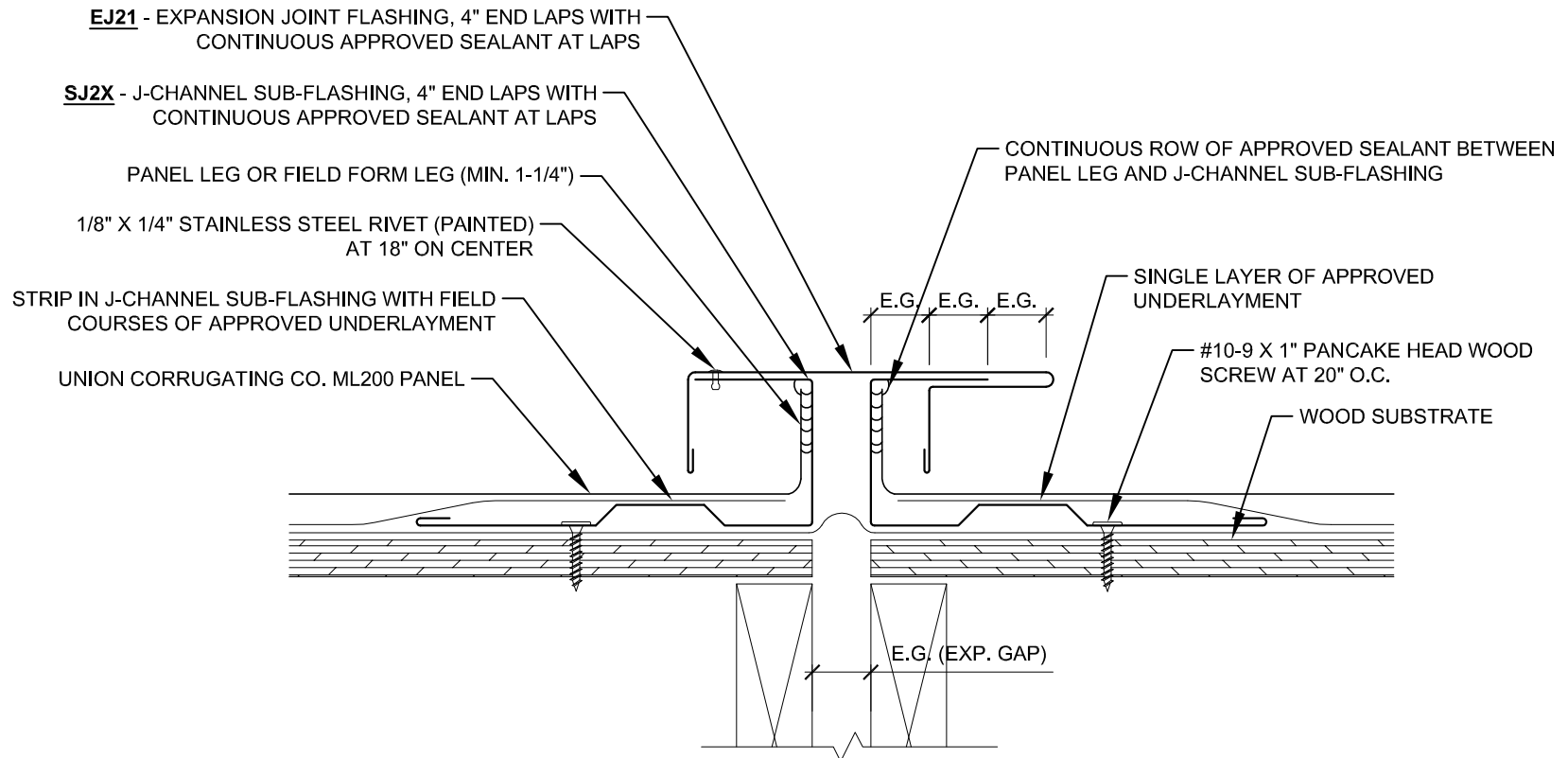
ML200-WS-7.50\_FX

Substrate:

WOOD SUBSTRATE

Project Name:

Location:

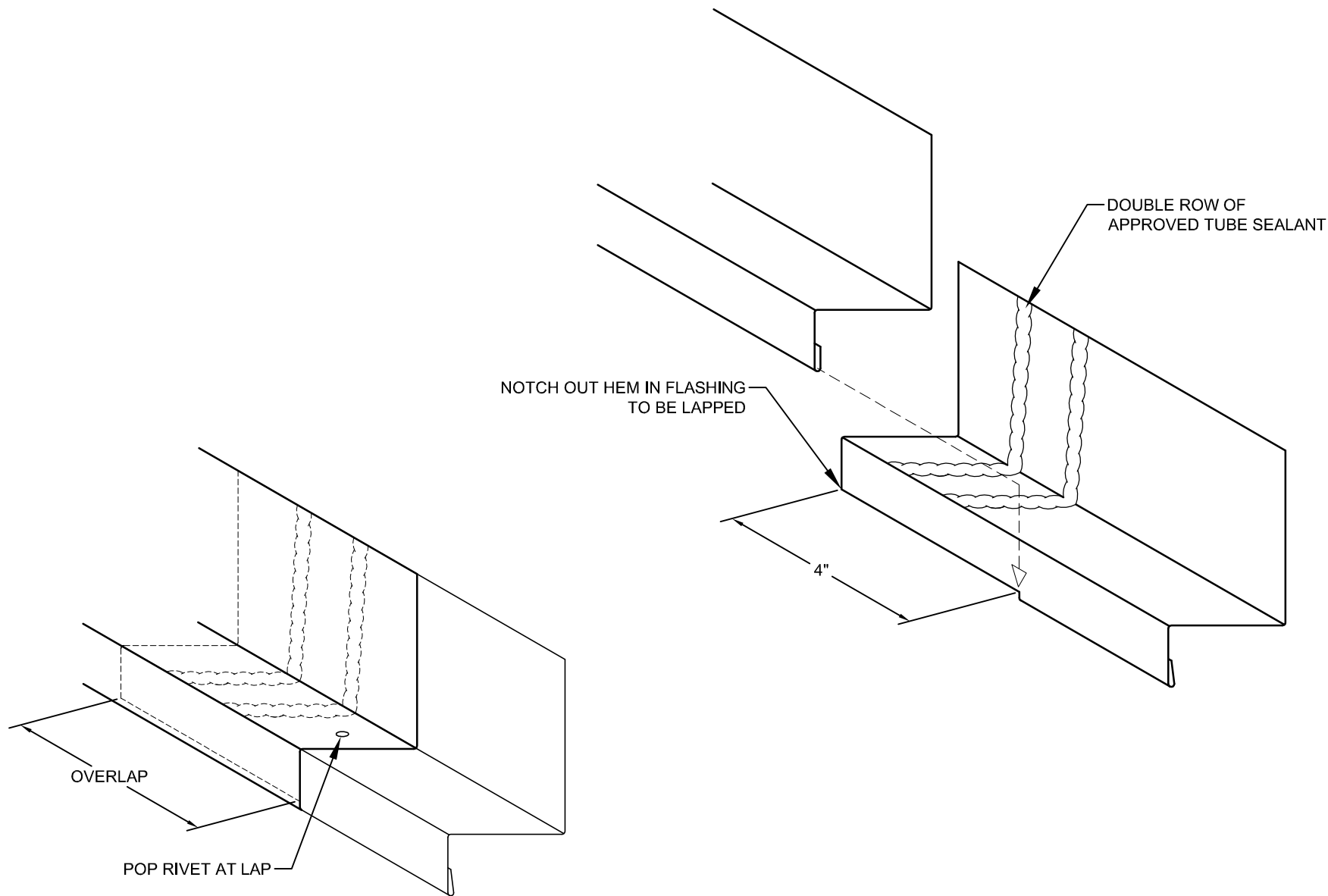


Description: **EXPANSION JOINT (MID-ROOF) - EXPANSION CLIP**

Detail No.: **ML200-WS-7.50\_EX**

Substrate: **WOOD SUBSTRATE**

Project Name:  
Location:



Description:

# SIDEWALL LAP DETAIL

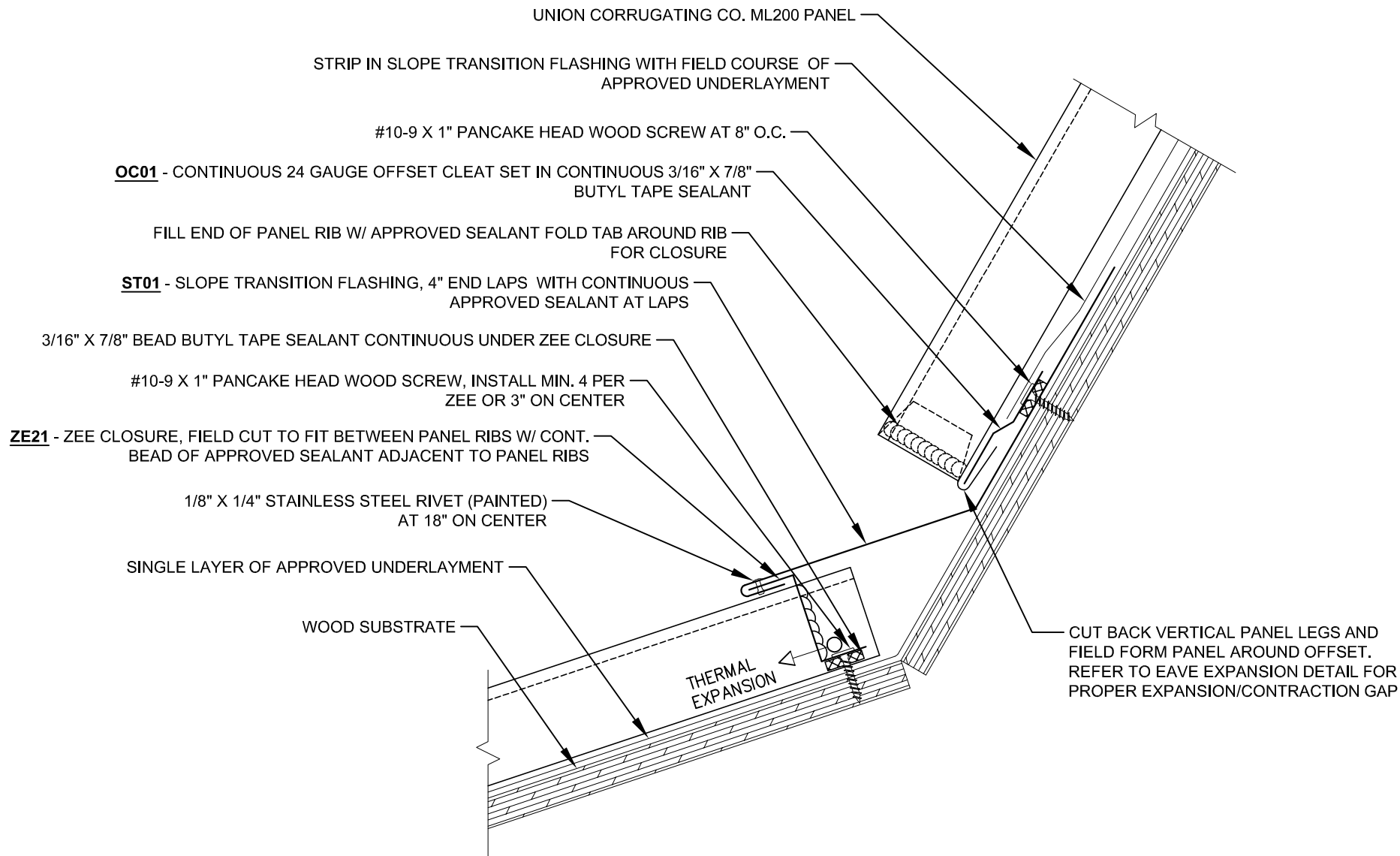
Detail No.:

ML200-7.90

Substrate:

Project Name:

Location:



Description:

# SLOPE TRANSITION DETAIL - FIXED CLIP

Detail No.:

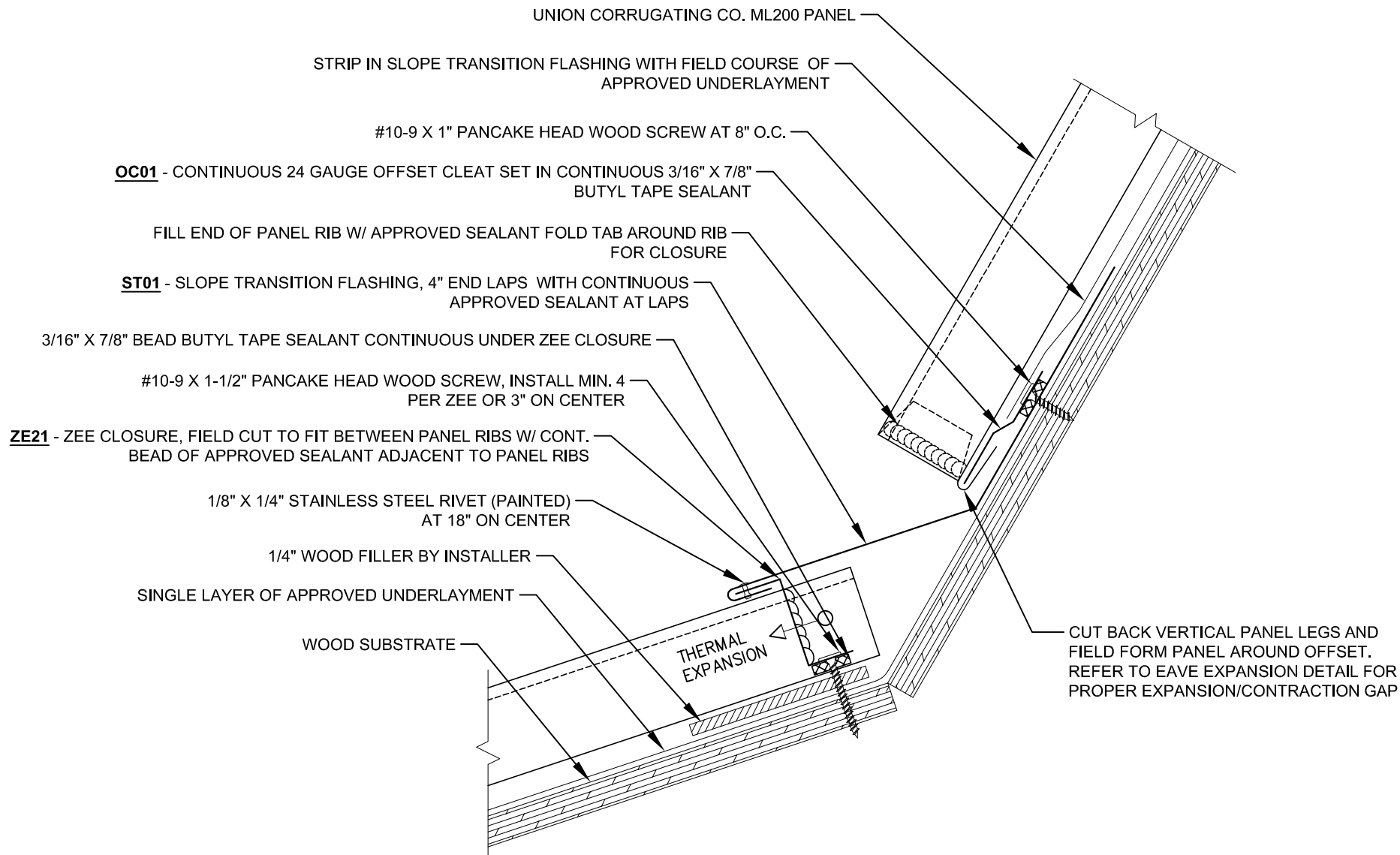
ML200-WS-8.10\_FX

Substrate:

WOOD SUBSTRATE

Project Name:

Location:

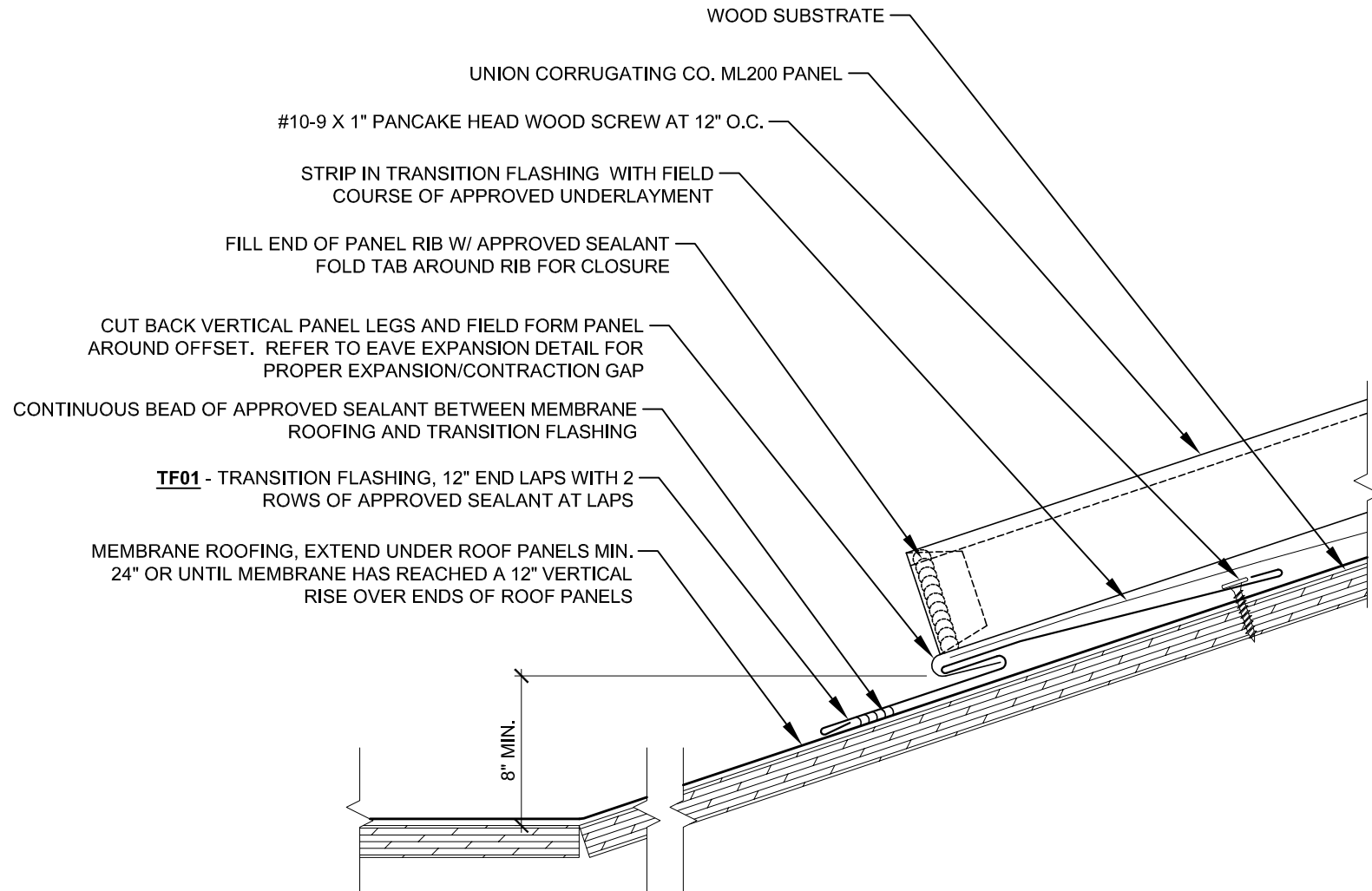


Description: **SLOPE TRANSITION DETAIL - EXPANSION CLIP**

Detail No.: **ML200-WS-8.10\_EX**

Substrate: **WOOD SUBSTRATE**

Project Name:  
Location:



Description:

# TRANSITION AT MEMBRANE ROOFING

Detail No.:

ML200-WS-8.20

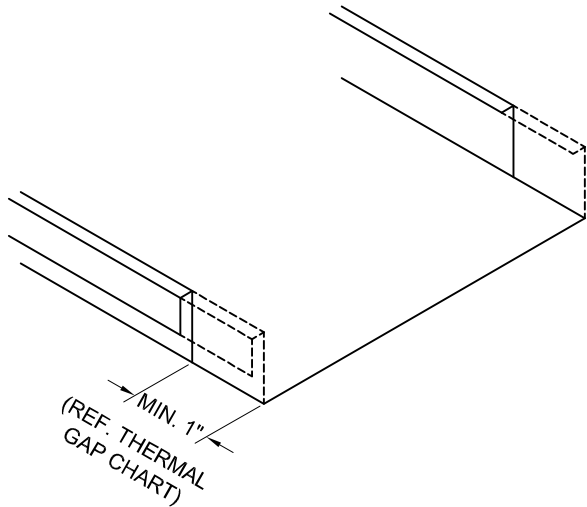
Substrate:

WOOD SUBSTRATE

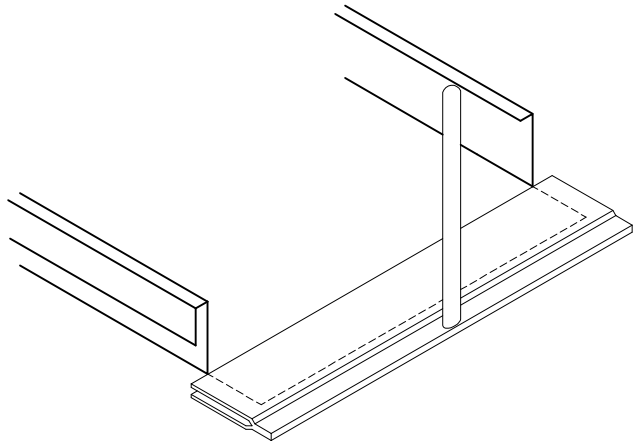
Project Name:

Location:

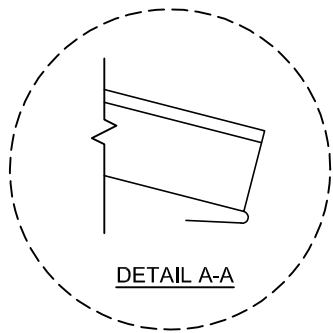
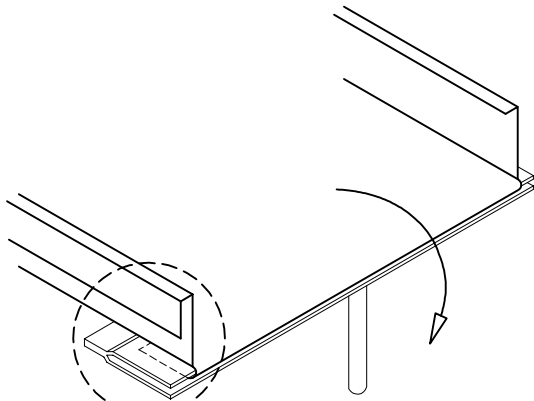
**STEP 1:** FIELD NOTCH RIBS AND REMOVE



**STEP 2:** ENGAGE PANEL HEMMING TOOL OVER FLAT PART OF PANEL TO ACCEPT OFFSET CLEAT



**STEP 3:** BEND TO FORM OPEN HEM



Description:

**FIELD HEMMING PANEL END**

Detail No.:

**ML200-10.10**

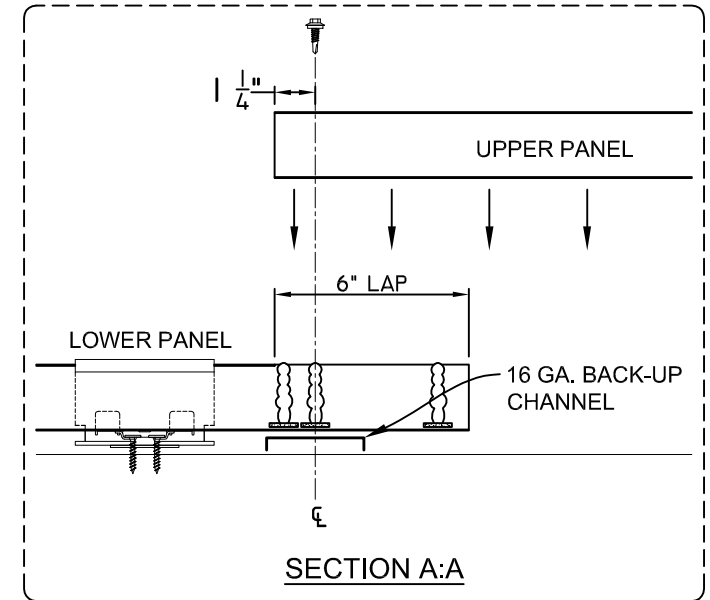
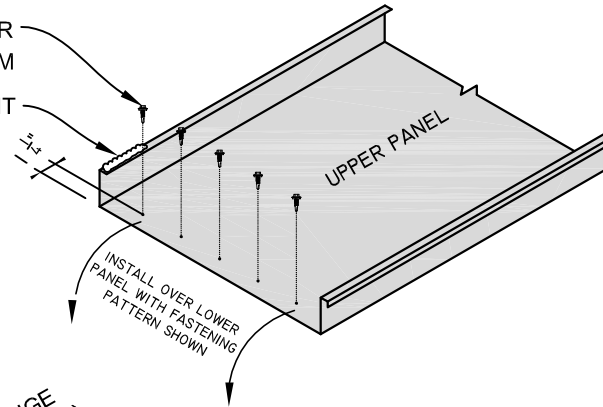
Substrate:

Project Name:

Location:

#14 x  $\frac{7}{8}$ " HWH LAP TEK FASTENER W/ WASHER  
ZINC CAPPED-(PAINTED) 3  $\frac{1}{4}$ " O.C. MINIMUM

ROW OF APPROVED TUBE SEALANT



6" MIN. LAP  
(REMOVE TOP FLANGE  
OF MALE LEG AS SHOWN)

1 ROW OF  $\frac{7}{8}$ " DOUBLE  
BEAD TAPE SEALANT

REMOVE DOWN-LEG OF  
FEMALE LEG AS SHOWN

APPROVED TUBE SEALANT  
AT VERTICAL PANEL LEGS  
EACH SIDE ALIGNED  
WITH TAPE SEALANT

A:A

LOWER PANEL

UPPER PANEL

6" MIN. LAP

STAGGER LAPS MIN. 24"

UPPER PANEL

LOWER PANEL

LOWER PANEL

16 GA. BACK-UP CHANNEL  
UNDER EACH LAP

PANEL  
INSTALLATION  
DIRECTION



Description: **PANEL LAP DETAIL - LOW SLOPE (LESS THAN 3:12)**

Substrate:

Project Name:

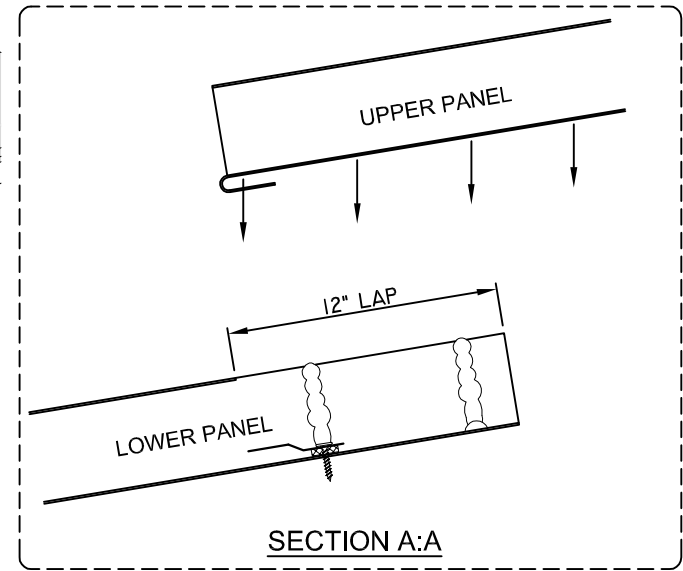
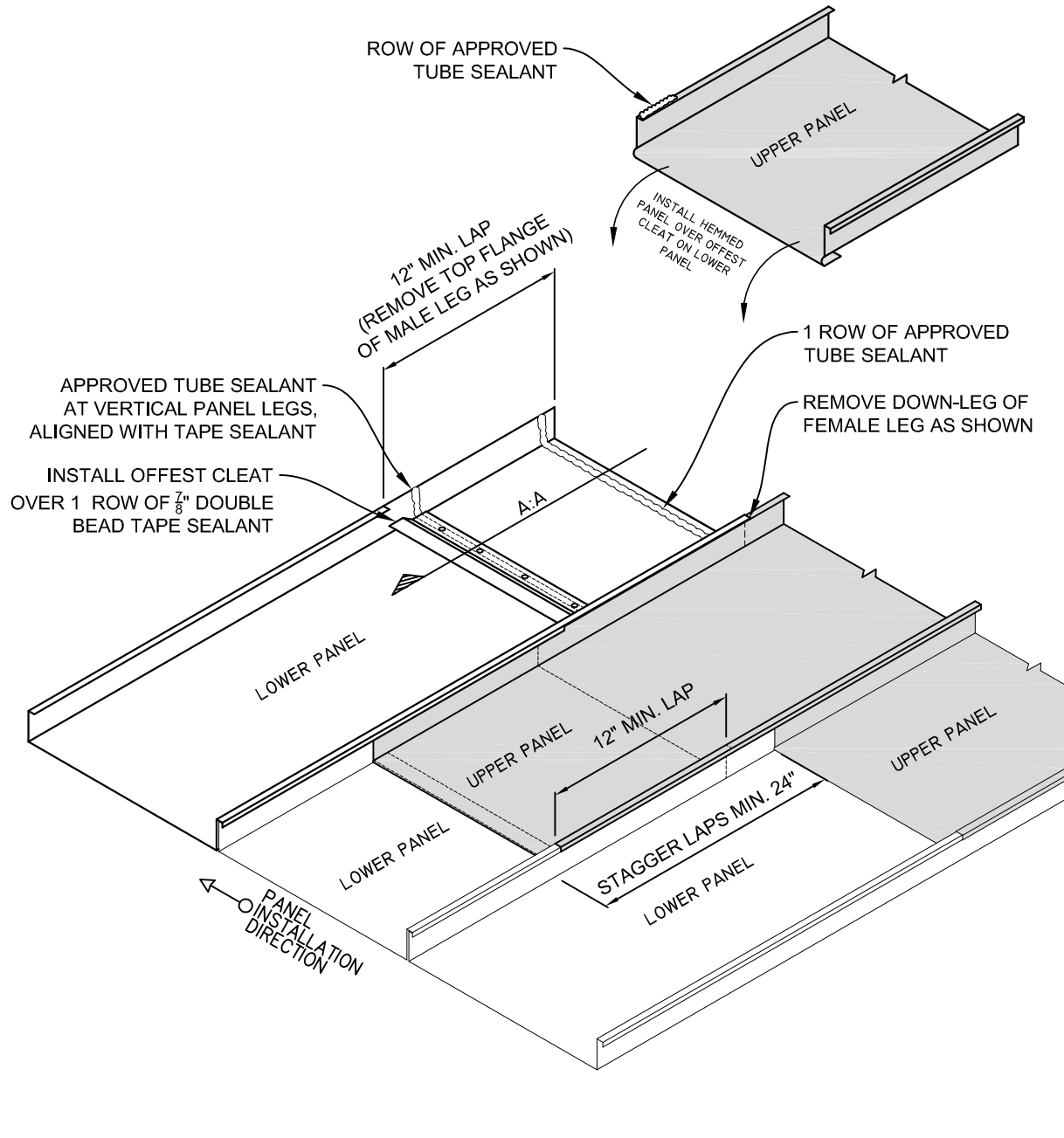
Location:

Detail No.:

ML200-LAP-10.14



**IMPORTANT INSTALLATION NOTE**  
 THIS DETAIL NOT RECOMMENDED  
 FOR SLOPES LESS THAN 3:12.



Description:

# PANEL LAP DETAIL - STEEP SLOPE

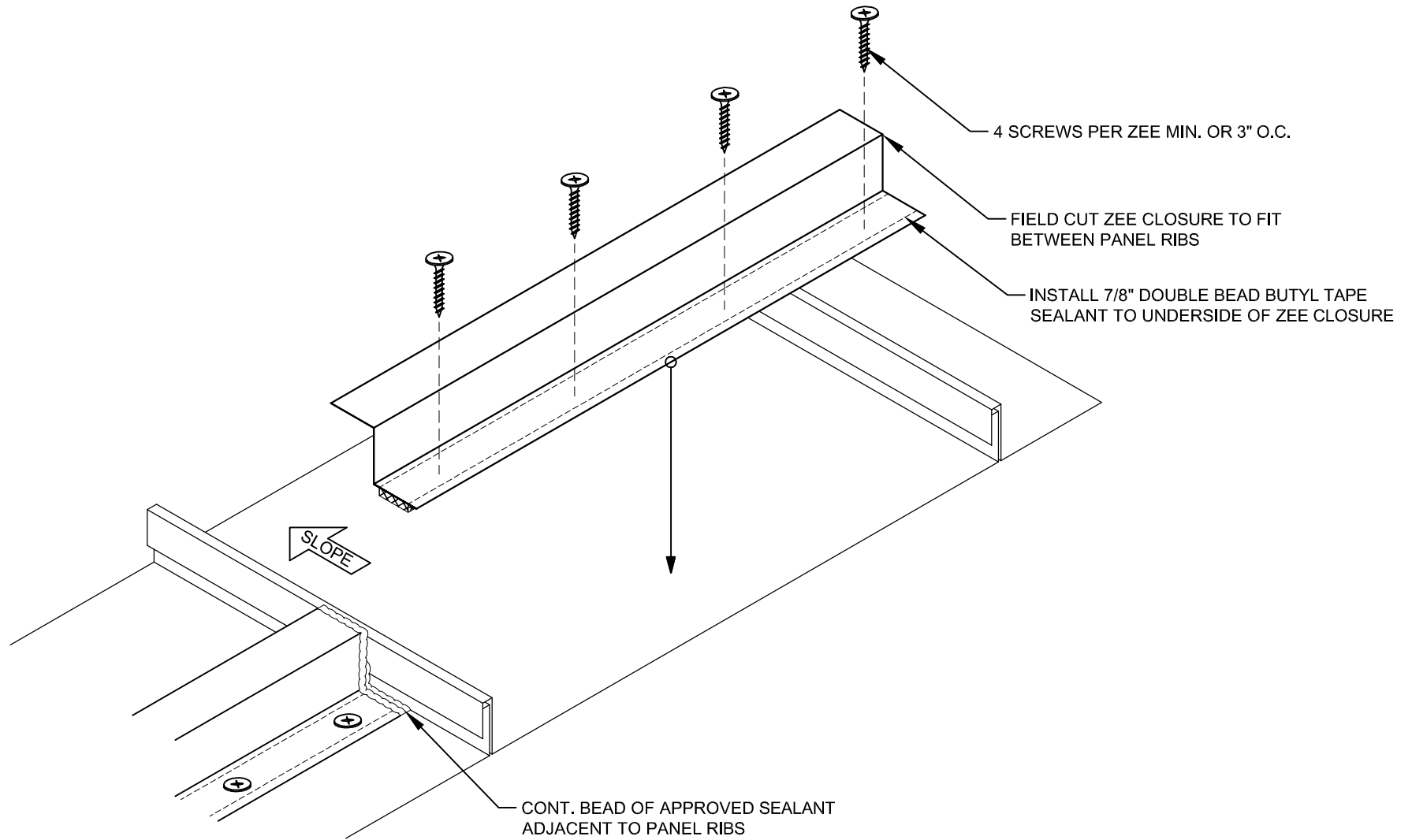
Detail No.:

ML200-LAP-10.15

Substrate:

Project Name:

Location:



Description:

# ZEE CLOSURE INSTALLATION

Detail No.:

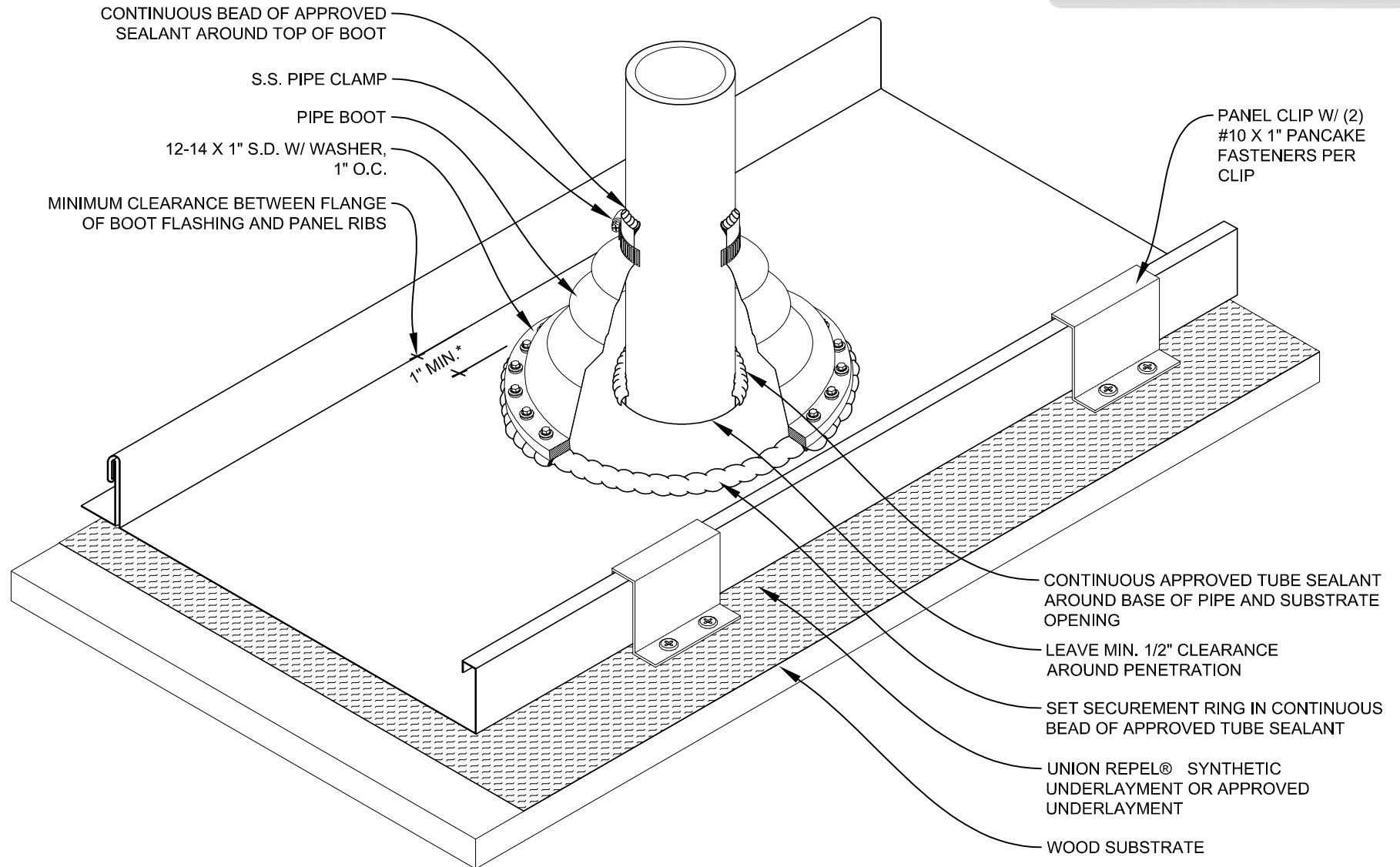
ML200-10.20

Substrate:

Project Name:

Location:

**IMPORTANT INSTALLATION NOTE**  
 WHEN BOOT SIZE EXCEEDS MINIMUM  
 CLEARANCE OF 1", REFER TO CURB DETAILS.



Description: **PIPE PENETRATION**

Substrate: **WOOD SUBSTRATE**

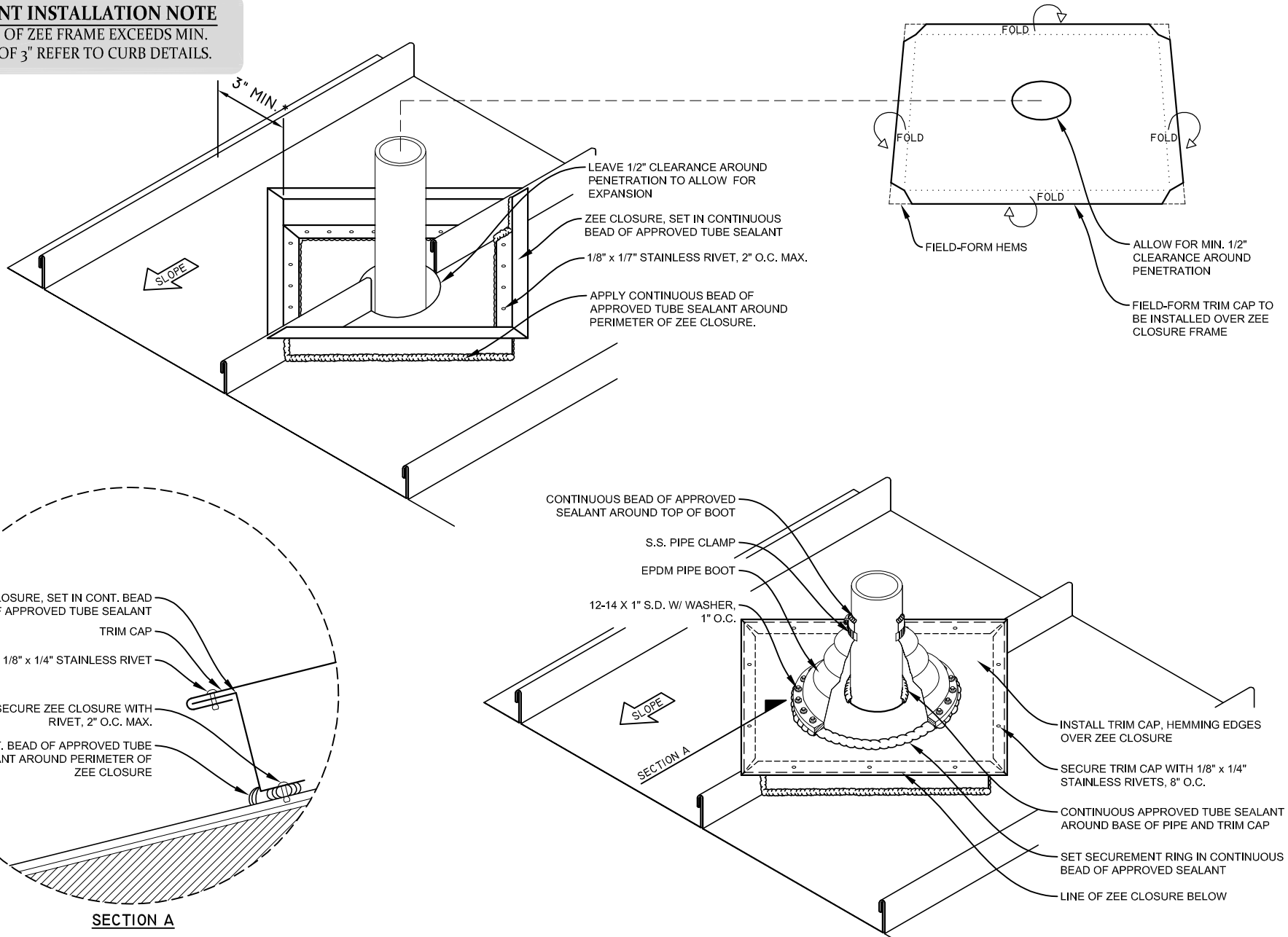
Project Name:

Location:

Detail No.: **ML200-WS-10.30**

**IMPORTANT INSTALLATION NOTE**

\*WHEN BASE OF ZEE FRAME EXCEEDS MIN. CLEARANCE OF 3" REFER TO CURB DETAILS.



Description:

**PIPE PENETRATION THROUGH PANEL RIB**

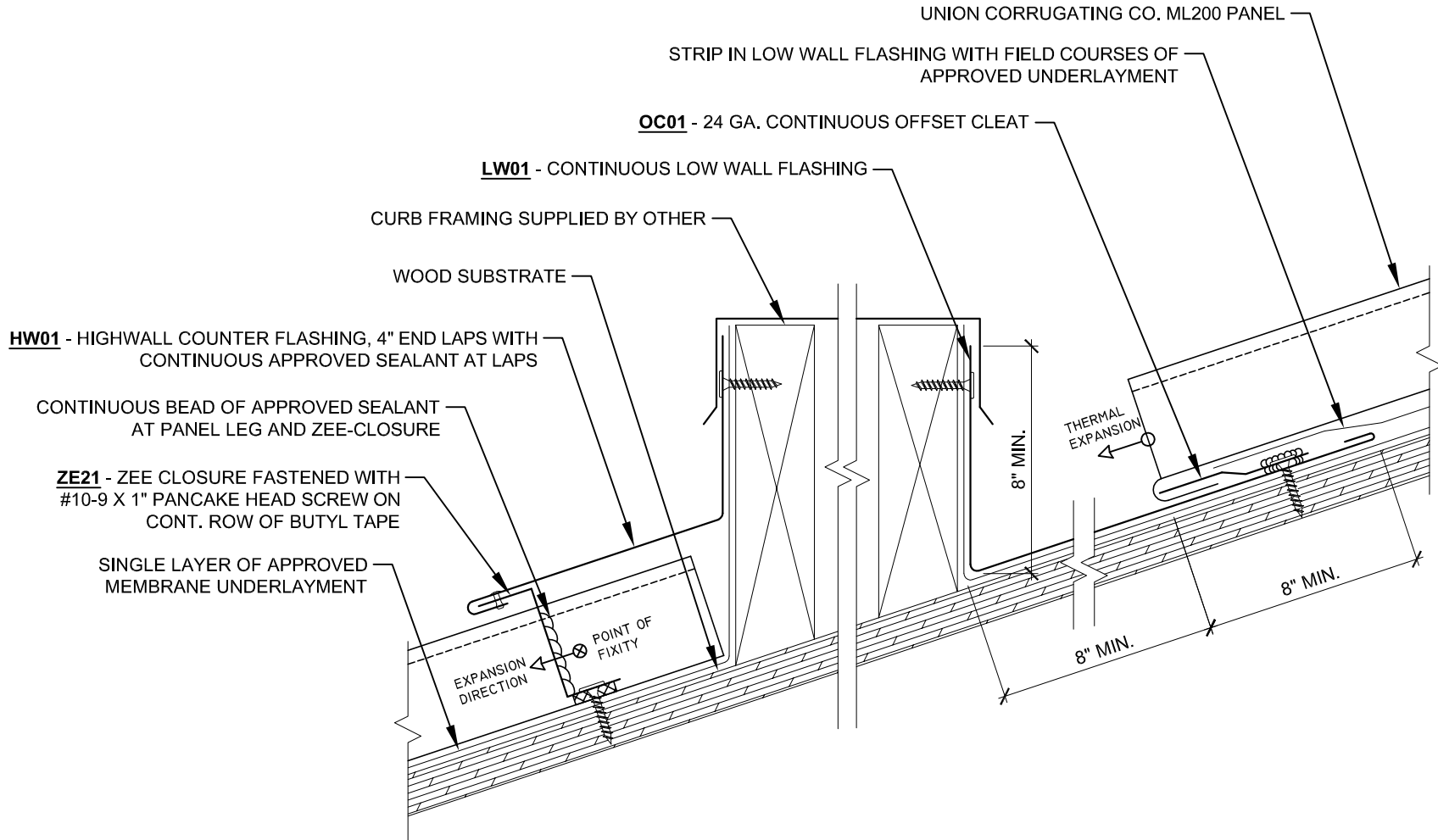
Detail No.:

ML200-10.31

Substrate:

Project Name:

Location:

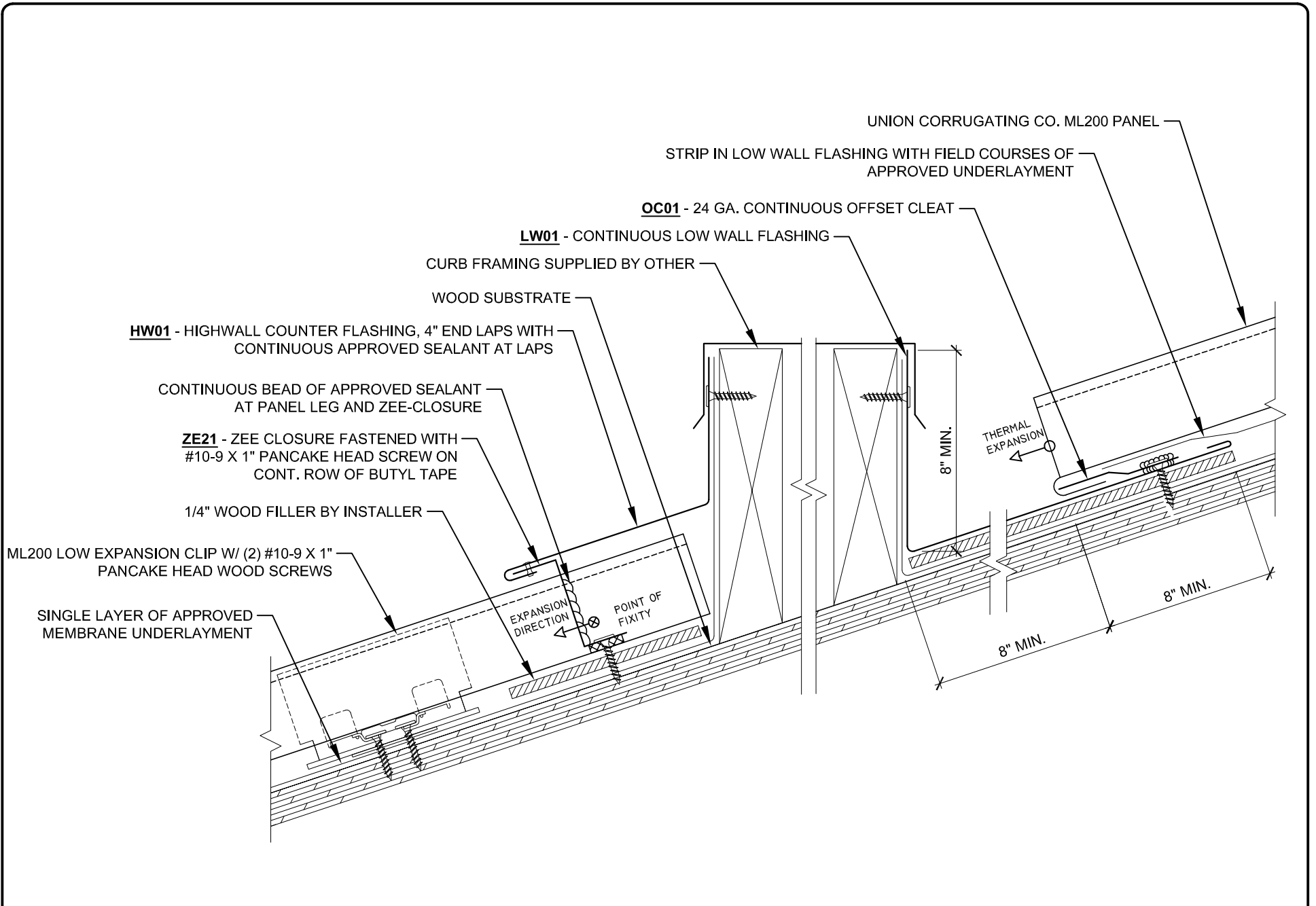


Description: **LOW WALL & HIGHWALL @ CURB - FIXED CLIP**

Detail No.: **ML200-WS-10.40\_FX**

Substrate: **WOOD SUBSTRATE**

Project Name:  
Location:



Description:

**LOW WALL & HIGHWALL @ CURB - EXPANSION CLIP**

Detail No.:

ML200-WS-10.40\_EX

Substrate:

WOOD SUBSTRATE

Project Name:

Location:

**SW02** - SIDEWALL COUNTER FLASHING, 4" END LAPS  
WITH CONTINUOUS APPROVED SEALANT AT LAPS

PANEL LEG OR FIELD FORM PANEL LEG (MIN. 1-1/4")

**ZE21** - ZEE CLOSURE FASTENED WITH  
#10-9 X 1" PANCAKE HEAD SCREW

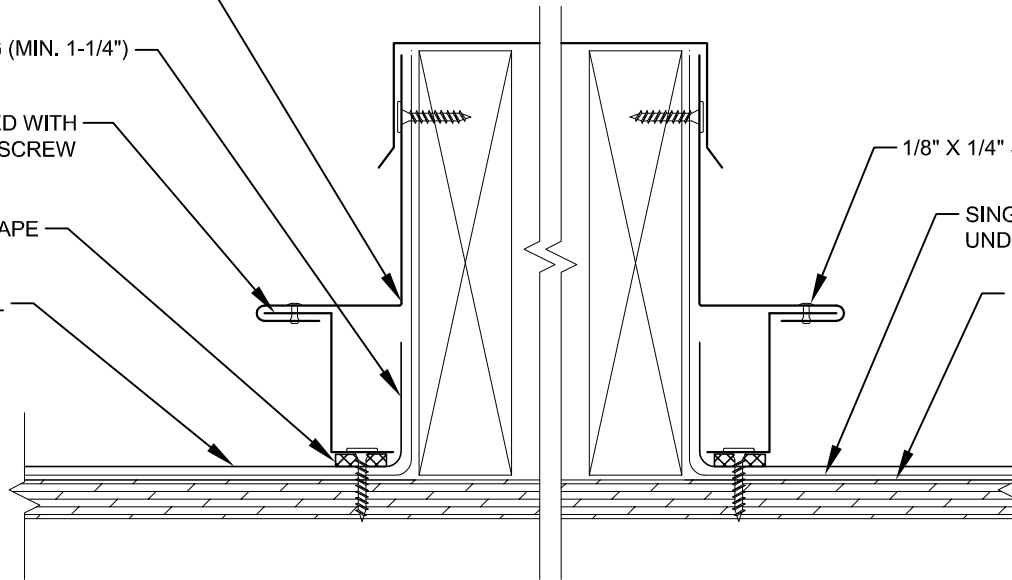
CONTINUOUS ROW OF BUTYL TAPE

UNION CORRUGATING CO. ML200 PANEL

1/8" X 1/4" STAINLESS STEEL RIVET

SINGLE LAYER OF APPROVED  
UNDERLAYMENT

WOOD SUBSTRATE



Description:

**SIDEWALL @ CURB - FIXED CLIP**

Detail No.:

**ML200-WS-10.41\_FX**

Substrate:

**WOOD SUBSTRATE**

Project Name:

Location:

**SW02** - SIDEWALL COUNTER FLASHING, 4" END LAPS  
WITH CONTINUOUS APPROVED SEALANT AT LAPS

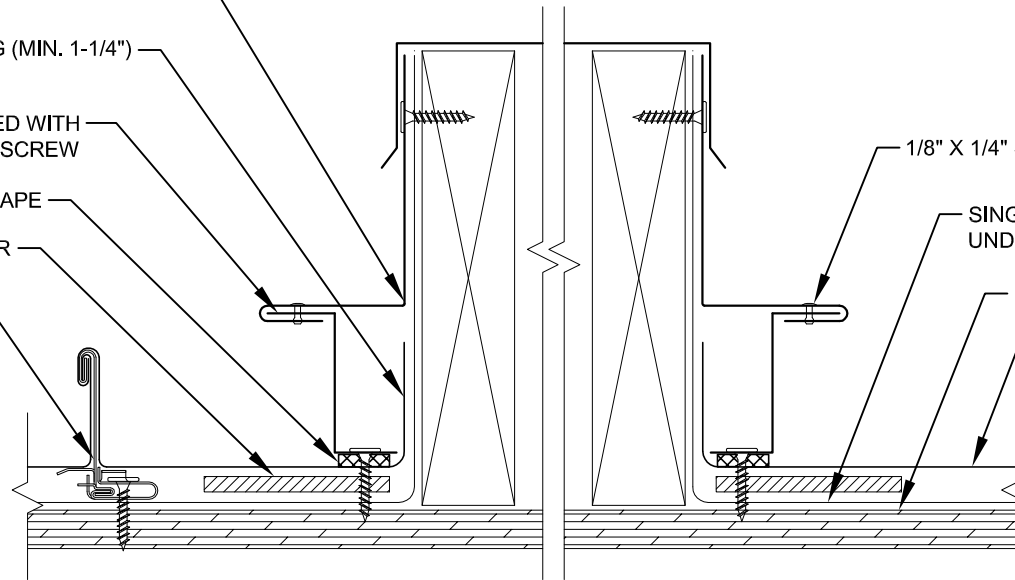
PANEL LEG OR FIELD FORM PANEL LEG (MIN. 1-1/4")

**ZE21** - ZEE CLOSURE FASTENED WITH  
#10-9 X 1" PANCAKE HEAD SCREW

CONTINUOUS ROW OF BUTYL TAPE

1/4" WOOD FILLER BY INSTALLER

ML200 LOW EXPANSION CLIP W/  
(2) #10-9 X 1" PANCAKE HEAD  
WOOD SCREWS



1/8" X 1/4" STAINLESS STEEL RIVET

SINGLE LAYER OF APPROVED  
UNDERLAYMENT

WOOD SUBSTRATE

UNION CORRUGATING CO.  
ML200 PANEL



Description:

**SIDEWALL @ CURB - EXPANSION CLIP**

Detail No.:

ML200-WS-10.41\_EX

Substrate:

WOOD SUBSTRATE

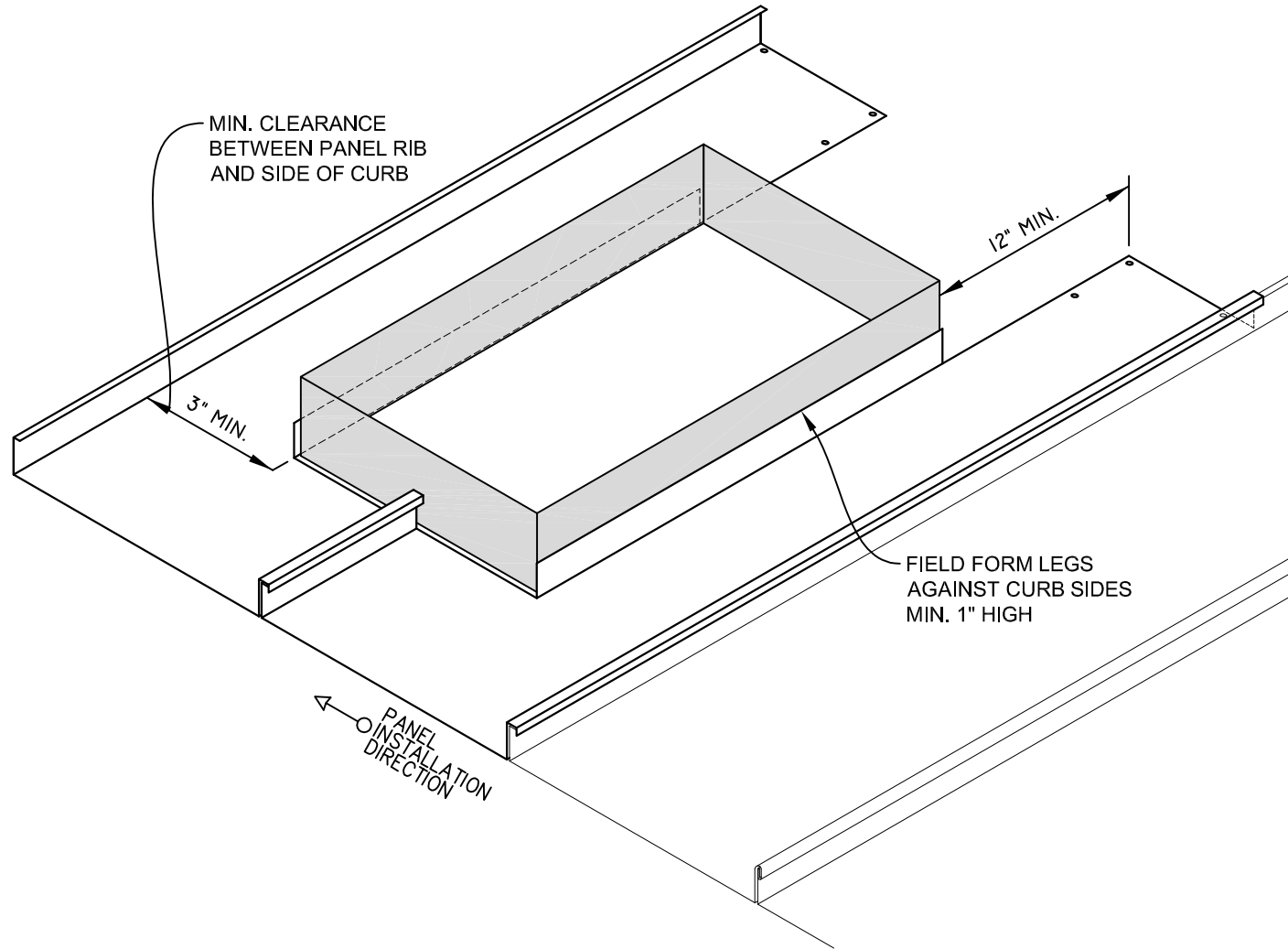
Project Name:

Location:



# STEP 1

INSTALL PANELS  
AROUND CURB



Description:

ML200 CURB DETAILS - STEP 1

Detail No.:

ML200-CRB: 1 of 6

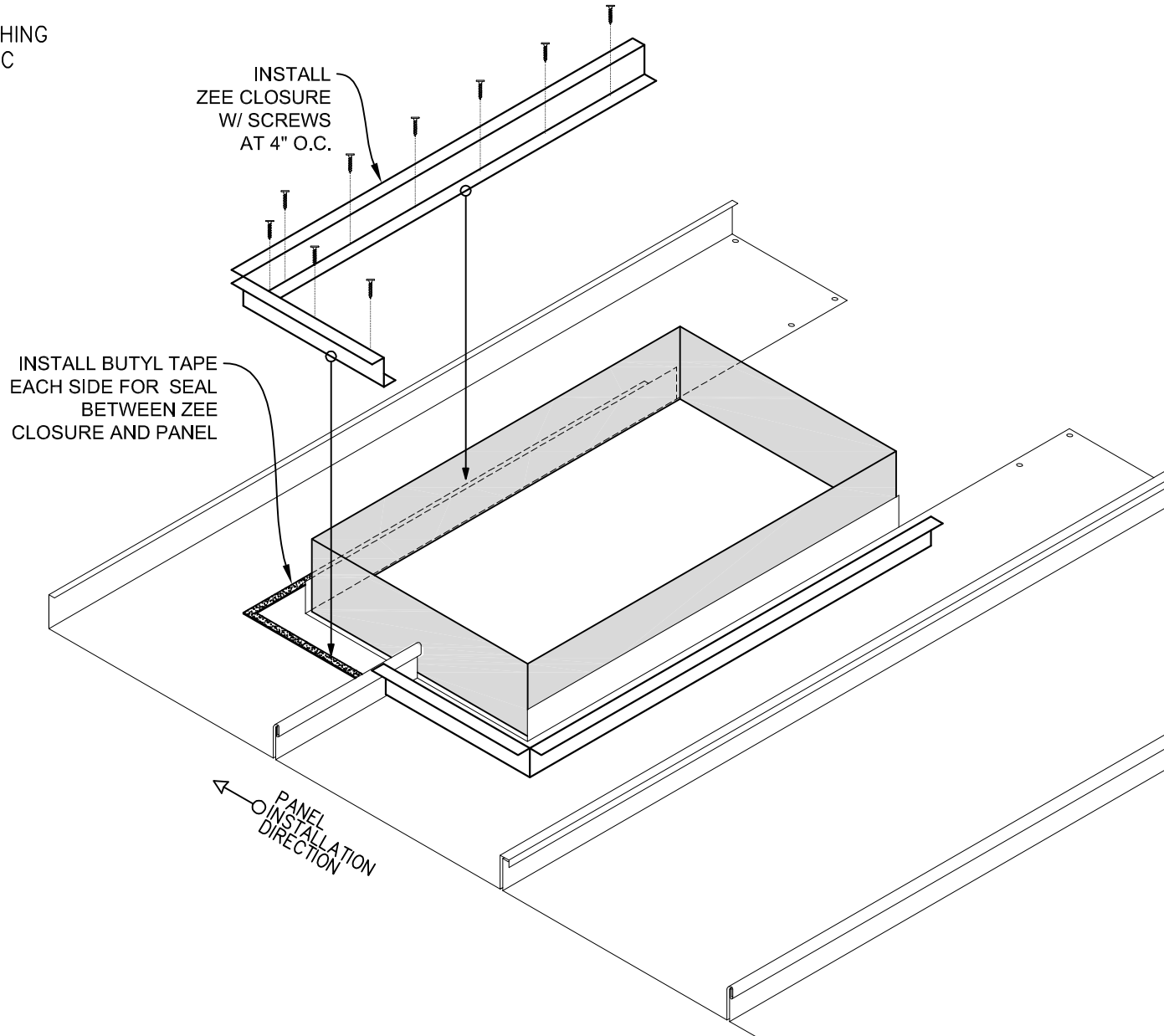
Substrate:

Project Name:

Location:

# STEP 2

APPLY ZEE CLOSURE FLASHING  
OVER DOUBLE BEAD MASTIC



Description:

ML200 CURB DETAILS - STEP 2

Detail No.:

ML200-CRB: 2 of 6

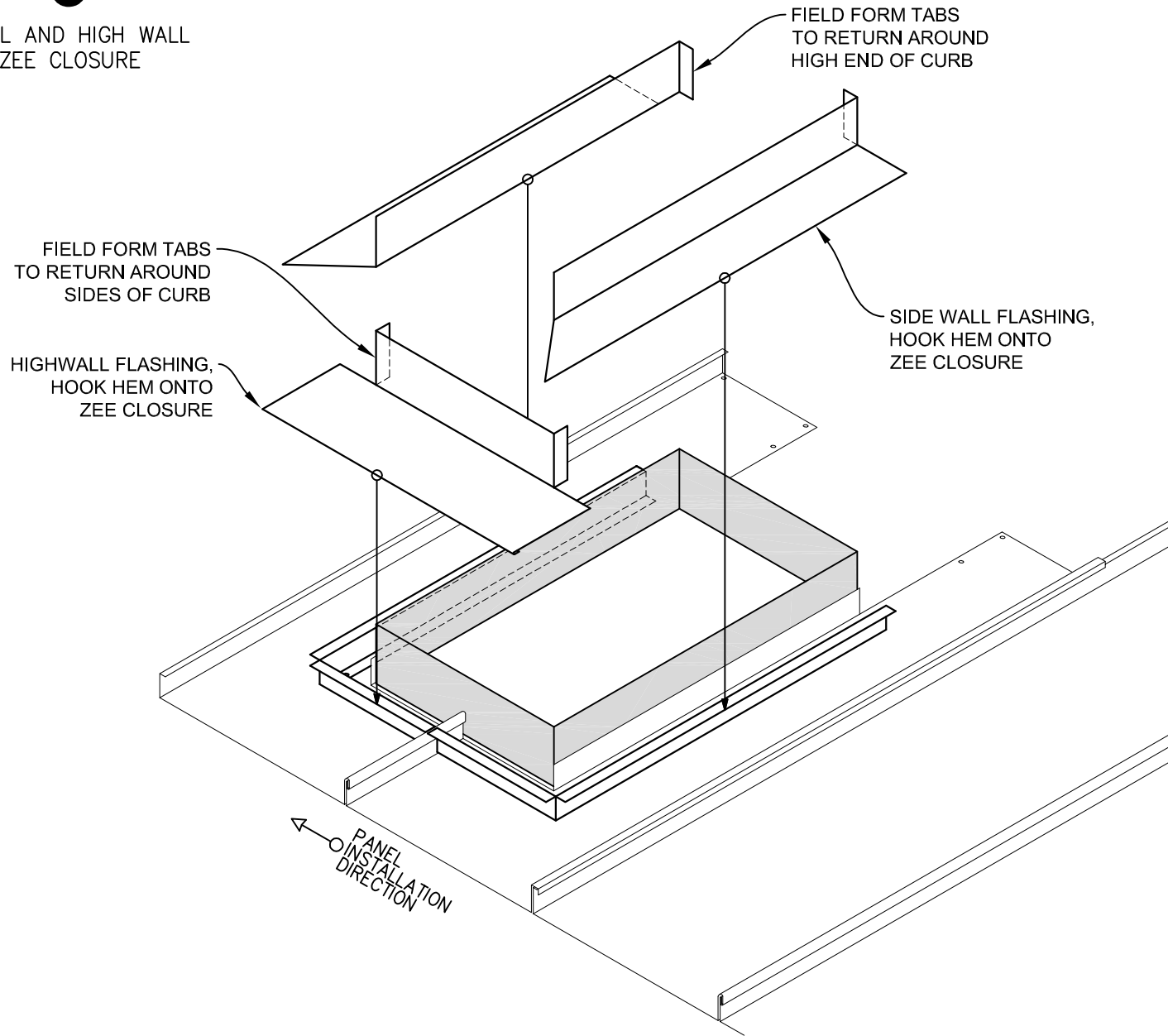
Substrate:

Project Name:

Location:

# STEP 3

INSTALL SIDE WALL AND HIGH WALL FLASHINGS ATOP ZEE CLOSURE



Description:

ML200 CURB DETAILS - STEP 3

Detail No.:

ML200-CRB: 3 of 6

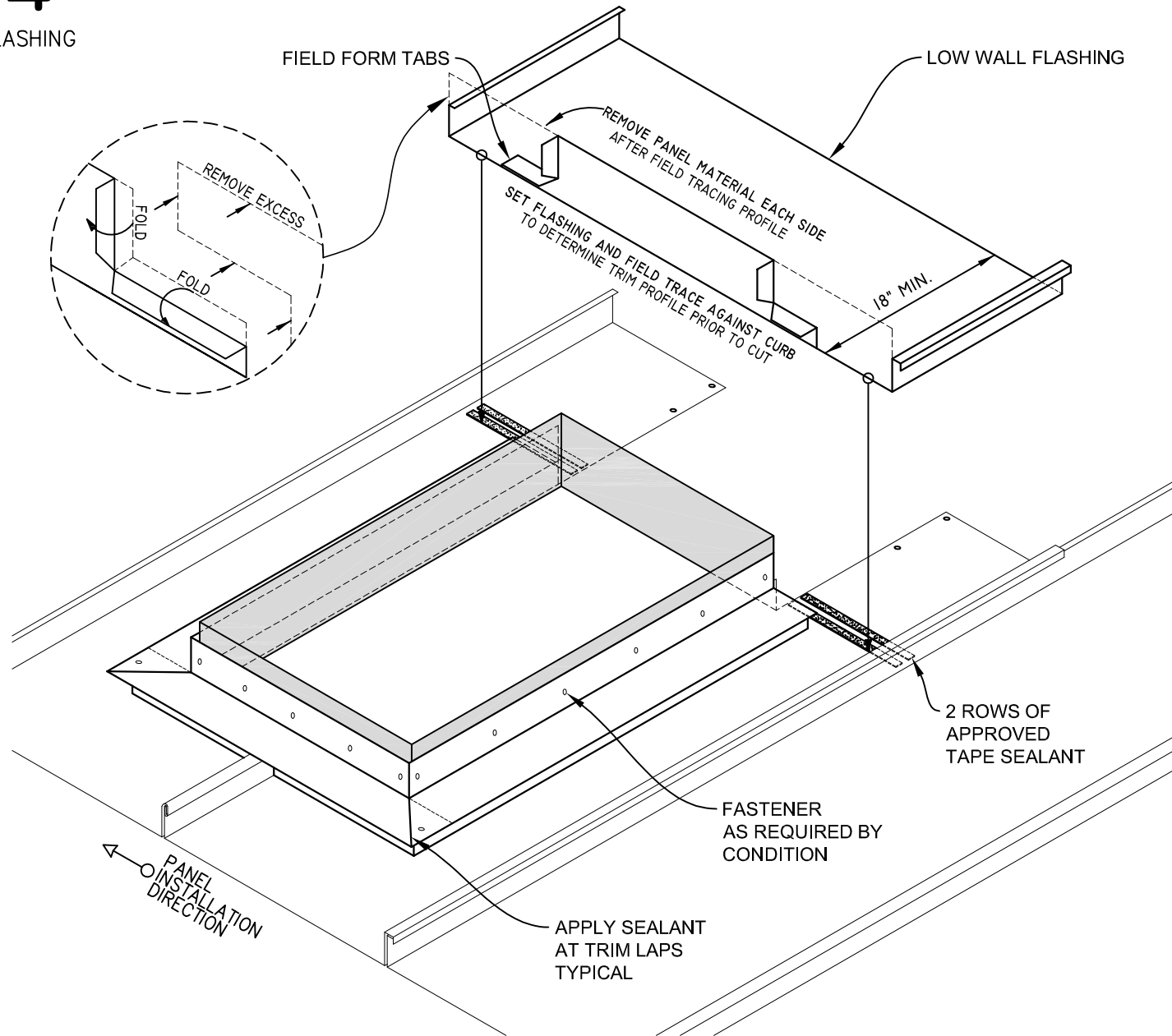
Substrate:

Project Name:

Location:

# STEP 4

INSTALL LOW WALL FLASHING



Description:

## ML200 CURB DETAILS - STEP 4

Detail No.:

ML200-CRB: 4 of 6

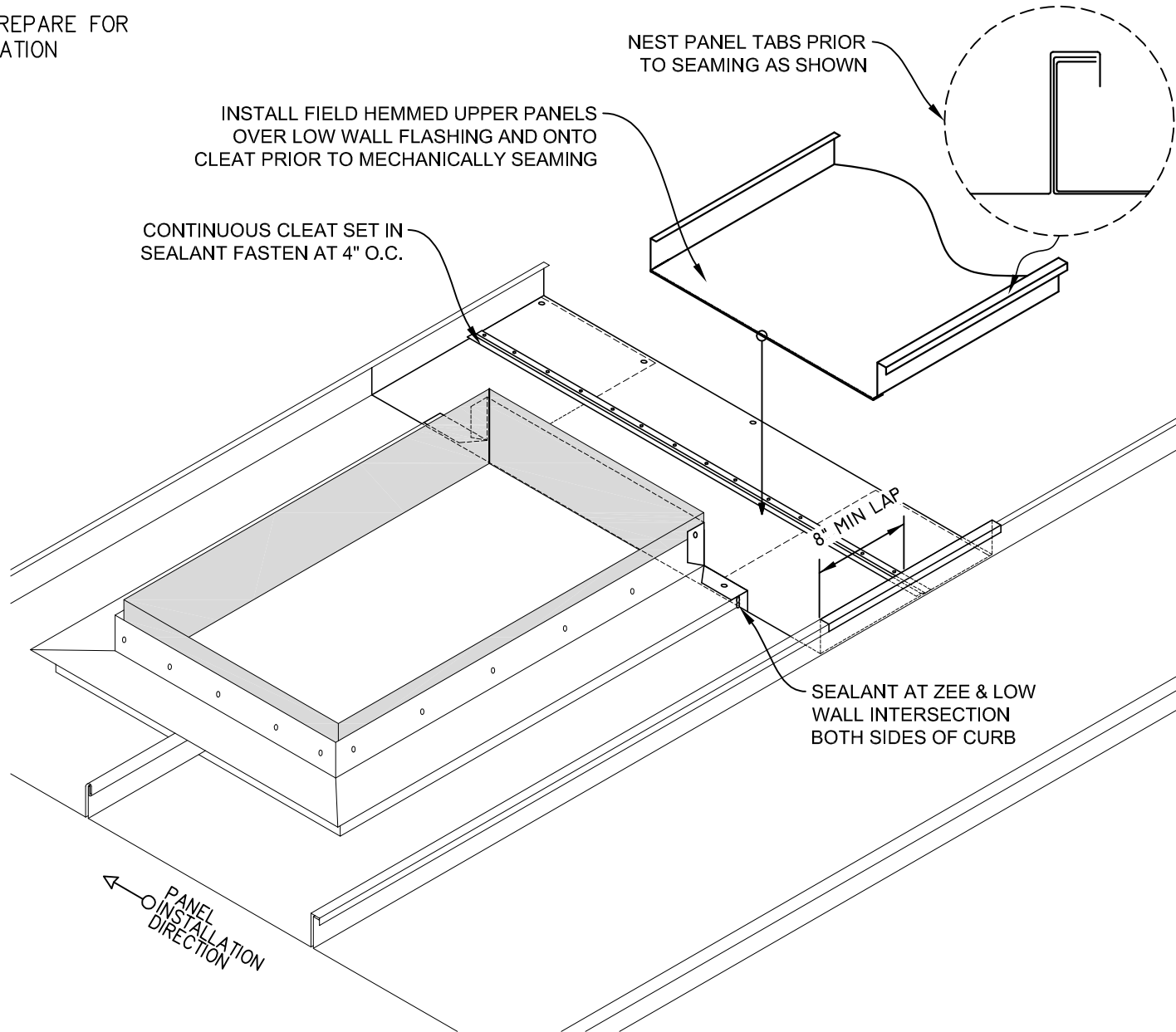
Substrate:

Project Name:

Location:

# STEP 5

INSTALL CLEAT AND PREPARE FOR UPPER PANEL INSTALLATION



Description:

ML200 CURB DETAILS - STEP 5

Detail No.:

ML200-CRB: 5 of 6

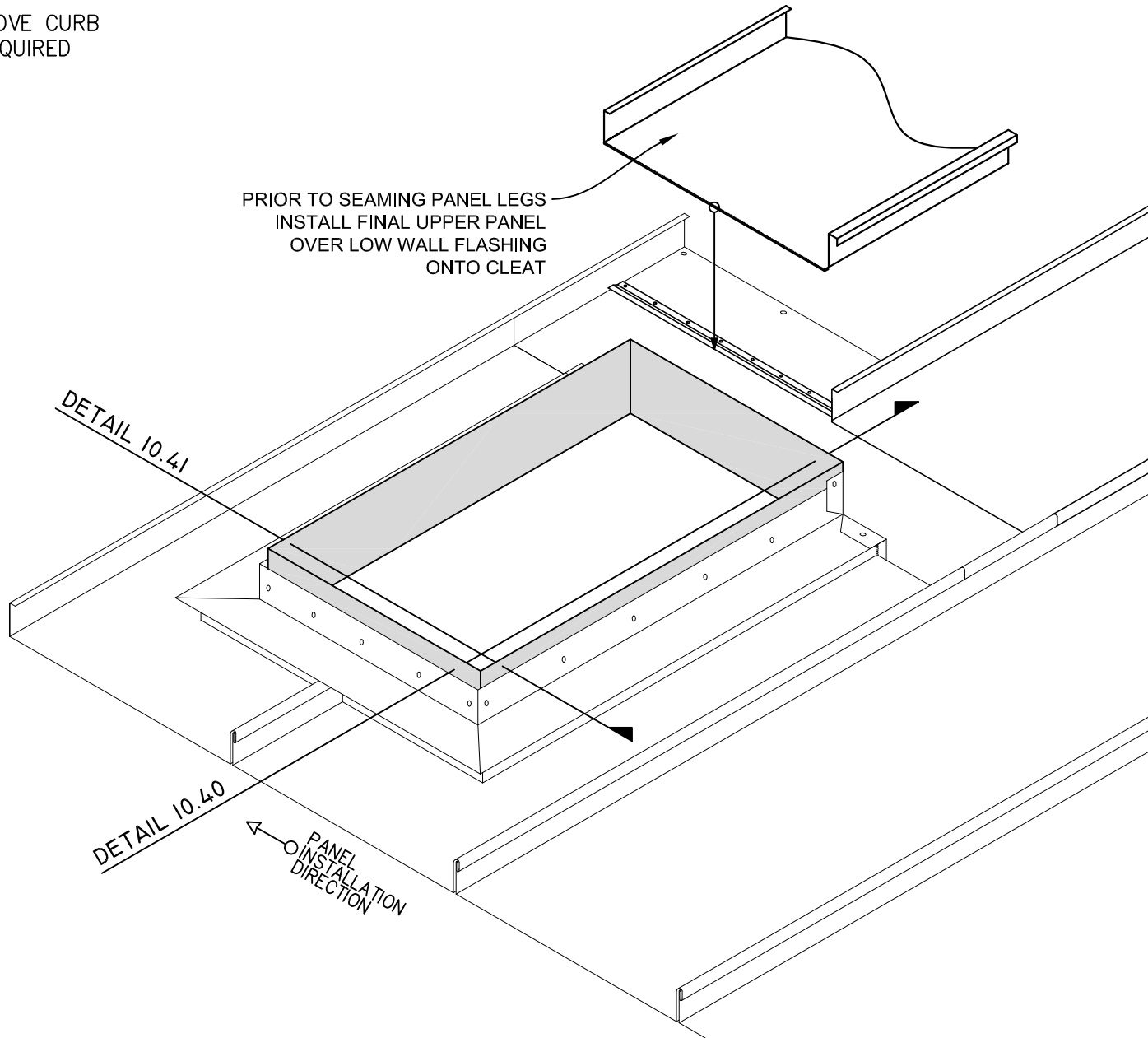
Substrate:

Project Name:

Location:

# STEP 6

INSTALL FINAL PANEL ABOVE CURB  
SEAL AND FASTEN AS REQUIRED



Description:

ML200 CURB DETAILS - STEP 6

Detail No.:

ML200-CRB: 6 of 6

Substrate:

Project Name:

Location: